

SACB- 4/3-L- 5,0PUR-M8 HD - Distributor box



1197207

<https://www.phoenixcontact.com/gb/products/1197207>

Please be informed that the data shown in this PDF document is generated from our online catalog. Please find the complete data in the user documentation. Our general terms of use for downloads are valid.



Distributor box, application: Standard, connection method: M8 socket Metal, number of slots: 4, number of positions: 3, coding: A, slot assignment: single, status display: yes, PNP; master cable connection: Fixed connection 180°, PUR/PVC, cable length: 5 m, shielding: no

Your advantages

- Safety in the field, thanks to molded housing and high degree of protection
- Convenient: increased machine availability thanks to quick and easy diagnostics

Commercial data

Item number	1197207
Packing unit	1 pc
Minimum order quantity	1 pc
Sales key	AF3BCA
Product key	AF3BCA
GTIN	4063151256326
Weight per piece (including packing)	437.8 g
Weight per piece (excluding packing)	22.22 g
Customs tariff number	85444290
Country of origin	DE

SACB- 4/3-L- 5,0PUR-M8 HD - Distributor box



1197207

<https://www.phoenixcontact.com/gb/products/1197207>

Technical data

Notes

Assembly note	NOTE: Observe the permissible bending radii when routing cables, since the degree of protection may be at risk if the bending forces are too high. Reduce mechanical loads upstream of the connector, e.g., by using cable ties.
Note on application	Unused slots are to be sealed off prior to commissioning. Suitable sealing elements are to be found under "Accessories".

Product properties

Product type	Distributor box
Application	Standard
Number of positions	3
Number of slots	4
Coding	A
LED	yes

System properties

Local diagnostics

Monitored function	Supply voltage
Optical representation	Green LED

Electrical properties

Max. operating voltage U_{max}	30 V DC
Local diagnostics	Supply voltage Green LED
	Status display I/O Yellow LED
Nominal voltage U_N	24 V DC
Rated current, total	6 A
Max. current carrying capacity per path	2 A
Current carrying capacity per slot	2 A

Connection data

Conductor connection

Sensor/actuator connection system	M8 socket
Tightening torque slot sensor/actuator cable	0.2 Nm
Tightening torque of mounting screw for fixing the housing	0.8 Nm

Connection assignment

Slot/position = Wire color or connection	1 / 4 (A) = WH
	2 / 4 (A) = GN
	3 / 4 (A) = YE
	4 / 4 (A) = GY
	1-4 / 1 (+ 24 V) = BN

SACB- 4/3-L- 5,0PUR-M8 HD - Distributor box



1197207

<https://www.phoenixcontact.com/gb/products/1197207>

1-4 / 3 (0 V) = BU

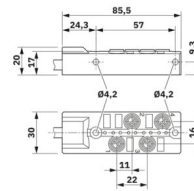
Signaling

Status display present

yes

Dimensions

Dimensional drawing



Width

30 mm

Height

20 mm

Length

85.5 mm

Material specifications

Material Threaded sleeve

Cu alloy

Material Housing

PBT

Material Molding compound

PUR

Seal material O-ring

FKM

Contact material

CuZn

Contact surface material

Ni/Au

Contact carrier material

PBT

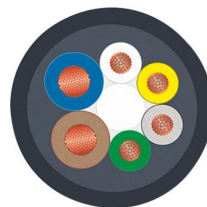
Cable/line

Cable length

5 m

PUR/PVC black [PUR]

Dimensional drawing



Cable weight

71.7 kg/km

UL AWM Style

20549

Number of positions

6

Shielded

no

Cable type

PUR/PVC black [PUR]

Conductor structure signal line

19x 0.15 mm

AWG signal line

22

SACB- 4/3-L- 5,0PUR-M8 HD - Distributor box



1197207

<https://www.phoenixcontact.com/gb/products/1197207>

Conductor structure, voltage supply	42x 0.15 mm
AWG power supply	18
Conductor cross section	4x 0.34 mm ² (Signal line) 2x 0.75 mm ² (power line)
Wire diameter incl. insulation	1.3 mm ±0.1 mm (Signal line) 1.8 mm ±0.1 mm (power line)
External cable diameter	6.80 mm ±0.2 mm
Outer sheath, material	PUR
External sheath, color	black RAL 9005
Conductor material	Bare Cu litz wires
Material wire insulation	PVC
Single wire, color	brown, blue, white, green, yellow, gray
Inner sheath thickness	≥ 0.15 mm
Thickness, outer sheath	≥ 0.38 mm
Overall twist	Wires twisted in layers
Nominal voltage, cable	300 V
Test voltage	2000 V
Minimum bending radius, fixed installation	7.5 x D
Minimum bending radius, flexible installation	10 x D
Smallest bending radius, fixed installation	51 mm
Smallest bending radius, movable installation	68 mm
Dynamic load capacity (bending)	Max. bending cycles: 1500000, Bending radius: 68 mm, Traversing path: 2 m, Traversing rate: 2 m/s
Flame resistance	DIN EN 50265
Resistance to oil	according to VDE 0472 Part 803
Other resistance	Highly resistant to acids, alkaline solutions and solvents
Special properties	Silicone-free
Ambient temperature (operation)	-40 °C ... 90 °C (cable, fixed installation) -5 °C ... 80 °C (Cable, flexible installation) 80 °C (in acc. with UL)

Environmental and real-life conditions

Ambient conditions

Degree of protection	IP67
Ambient temperature (operation)	-25 °C ... 80 °C

Standards and regulations

Standard designation	M8 connector
Standards/specifications	IEC 61076-2-104

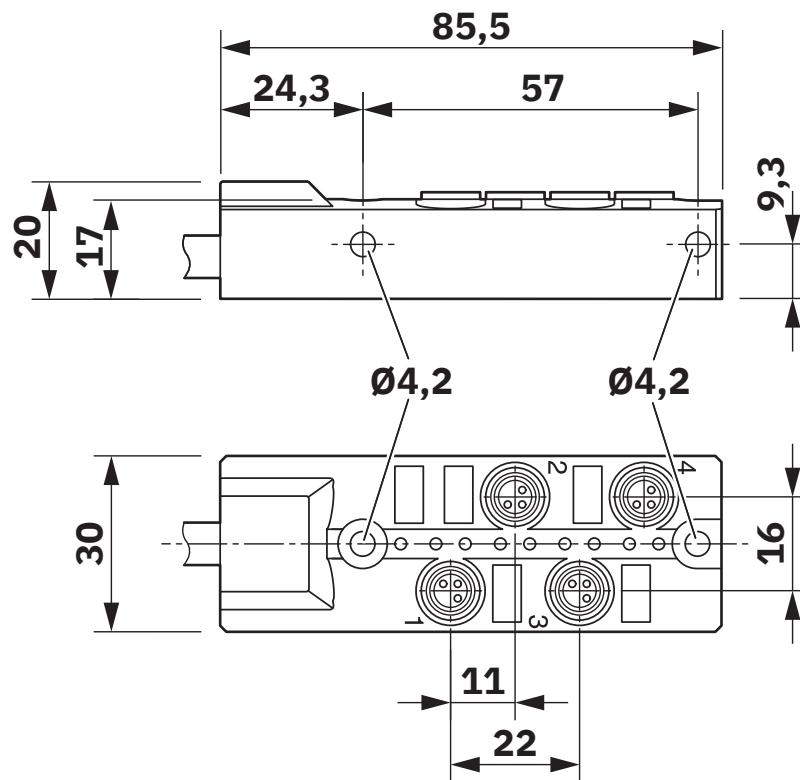
SACB- 4/3-L- 5,0PUR-M8 HD - Distributor box

1197207

<https://www.phoenixcontact.com/gb/products/1197207>

Drawings

Dimensional drawing



SACB- 4/3-L- 5,0PUR-M8 HD - Distributor box

1197207

<https://www.phoenixcontact.com/gb/products/1197207>

Schematic diagram



M8 slot, socket, 3-pos.

Circuit diagram



SACB- 4/3-L- 5,0PUR-M8 HD - Distributor box




1197207

<https://www.phoenixcontact.com/gb/products/1197207>

Approvals

To download certificates, visit the product detail page: <https://www.phoenixcontact.com/gb/products/1197207>

 UL Recognized Approval ID: FILE E 118976				
	Nominal voltage U_N	Nominal current I_N	Cross section AWG	Cross section mm^2
keine				
	24 V	-	-	-

 cUL Recognized Approval ID: FILE E 118976				
	Nominal voltage U_N	Nominal current I_N	Cross section AWG	Cross section mm^2
keine				
	24 V	-	-	-

SACB- 4/3-L- 5,0PUR-M8 HD - Distributor box



1197207

<https://www.phoenixcontact.com/gb/products/1197207>

Classifications

ECLASS

ECLASS-13.0	27440108
ECLASS-15.0	27440108

ETIM

ETIM 9.0	EC002585
----------	----------

UNSPSC

UNSPSC 21.0	31251500
-------------	----------

SACB- 4/3-L- 5,0PUR-M8 HD - Distributor box



1197207

<https://www.phoenixcontact.com/gb/products/1197207>

Environmental product compliance

EU RoHS

Fulfills EU RoHS substance requirements	Yes, No exemptions
---	--------------------

China RoHS

Environment friendly use period (EFUP)	EFUP-E
	No hazardous substances above the limits

EU REACH SVHC

REACH candidate substance (CAS No.)	No substance above 0.1 wt%
-------------------------------------	----------------------------

Phoenix Contact 2025 © - all rights reserved
<https://www.phoenixcontact.com>

PHOENIX CONTACT Ltd
Halesfield 13, Telford
Shropshire, TF7 4PG
01952 681700
info@phoenixcontact.co.uk