

CK4,0-ED-6,00BU AG - Crimp contact



1663307

<https://www.phoenixcontact.com/gb/products/1663307>

Please be informed that the data shown in this PDF document is generated from our online catalog. Please find the complete data in the user documentation. Our general terms of use for downloads are valid.



Crimp contact, series: HC-M-03, Socket, turned, contact diameter: 4 mm, connection cross section: 6 mm² ... 6 mm², AWG 10...10, contact material: Cu alloy

Commercial data

| | |
|--------------------------------------|---------------|
| Item number | 1663307 |
| Packing unit | 25 pc |
| Minimum order quantity | 25 pc |
| Sales key | AF7AIE |
| Product key | AF7AIE |
| GTIN | 4017918123116 |
| Weight per piece (including packing) | 2.544 g |
| Weight per piece (excluding packing) | 2 g |
| Customs tariff number | 85366990 |
| Country of origin | DE |

CK4,0-ED-6,00BU AG - Crimp contact



1663307

<https://www.phoenixcontact.com/gb/products/1663307>

Technical data

Notes

| | |
|---------------|---|
| General | for HC-M-02, HC-M-03, HC-M-03/04, HC-M-04, HC-Q02, HC-Q03, HC-Q04, and HC-COM-Q4/2 contact carriers |
| Assembly note | The quality of a crimp connection is determined by DIN EN 60352-2. |

Product properties

| | |
|-----------------------|---------------|
| Product type | Crimp contact |
| Series | HC-M-03 |
| | HC-M-03/04 |
| | HC-M-04 |
| | HC-K |
| | HC-M-02 |
| | HC-HS |
| | HC-COM |
| Contact material type | turned |

Connection data

Connection technology

| | |
|-------------------------|------------------|
| Contact connection type | Socket |
| Connection method | Crimp connection |

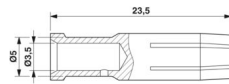
Conductor connection

| | |
|------------------------------|---|
| Stripping length | 10 mm |
| Connection cross section | 6 mm ² ... 6 mm ² |
| Connection cross section AWG | 10 ... 10 |

Material specifications

| | |
|--------------------------|----------|
| Material Contact | Cu alloy |
| Material Contact surface | Ag |

Dimensions

| | |
|-----------------------------|--|
| Dimensional drawing |  |
| Diameter (Contact diameter) | 4 mm |

Mechanical properties

Mechanical data

| | |
|-----------------------------|-------|
| Insertion/withdrawal cycles | ≥ 500 |
|-----------------------------|-------|

CK4,0-ED-6,00BU AG - Crimp contact



1663307

<https://www.phoenixcontact.com/gb/products/1663307>

Environmental and real-life conditions

Ambient conditions

| | |
|---------------------------------|-------------------|
| Ambient temperature (operation) | -40 °C ... 125 °C |
|---------------------------------|-------------------|

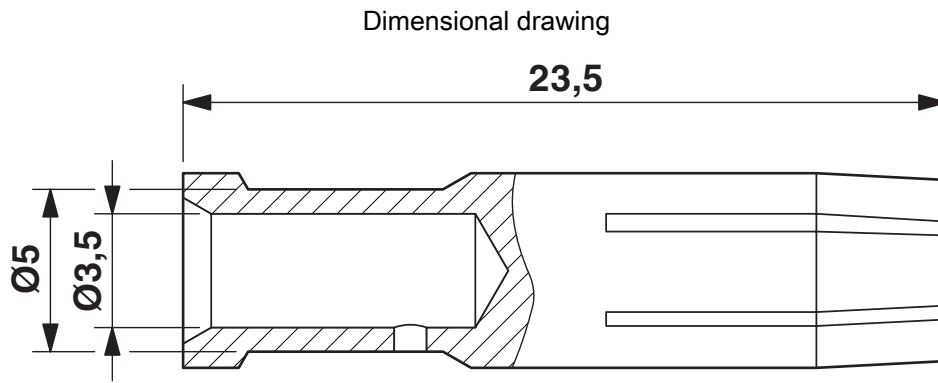
CK4,0-ED-6,00BU AG - Crimp contact



1663307

<https://www.phoenixcontact.com/gb/products/1663307>

Drawings



Dimensional drawing

CK4,0-ED-6,00BU AG - Crimp contact



1663307

<https://www.phoenixcontact.com/gb/products/1663307>

Approvals

To download certificates, visit the product detail page: <https://www.phoenixcontact.com/gb/products/1663307>



EAC

Approval ID: RU C-DE.AI30.B.01102

CK4,0-ED-6,00BU AG - Crimp contact



1663307

<https://www.phoenixcontact.com/gb/products/1663307>

Classifications

ECLASS

| | |
|-------------|----------|
| ECLASS-13.0 | 27440204 |
| ECLASS-15.0 | 27440204 |

ETIM

| | |
|----------|----------|
| ETIM 9.0 | EC000796 |
|----------|----------|

UNSPSC

| | |
|-------------|----------|
| UNSPSC 21.0 | 39121500 |
|-------------|----------|

CK4,0-ED-6,00BU AG - Crimp contact



1663307

<https://www.phoenixcontact.com/gb/products/1663307>

Environmental product compliance

EU RoHS

| | |
|---|--------------------|
| Fulfills EU RoHS substance requirements | Yes, No exemptions |
|---|--------------------|

China RoHS

| | |
|--|--|
| Environment friendly use period (EFUP) | EFUP-E |
| | No hazardous substances above the limits |

EU REACH SVHC

| | |
|-------------------------------------|----------------------------|
| REACH candidate substance (CAS No.) | No substance above 0.1 wt% |
|-------------------------------------|----------------------------|

EF3.0 Climate Change

| | |
|---------|---------------|
| CO2e kg | 0.055 kg CO2e |
|---------|---------------|

Phoenix Contact 2025 © - all rights reserved
<https://www.phoenixcontact.com>

PHOENIX CONTACT Ltd
Halesfield 13, Telford
Shropshire, TF7 4PG
01952 681700
info@phoenixcontact.co.uk