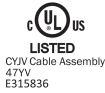
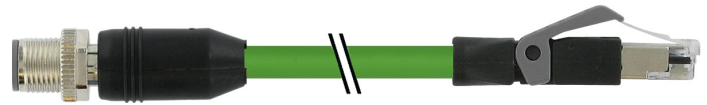


Overview

- M12, male, D-coded, 4-poles; PUR, 500 cm, shielded; RJ45, male, 4-poles
- Suitable for robotics $\pm 180^\circ/\text{m}$
- Head A: IP67; Head B: IP20
- Cable: good resistance against flames, oils



Technical data

Side A	
Head A: Connection	M12
Head A: Angle cable outlet	0°
Head A: Gender	Male
Head A: Coding	D
Head A: No. of poles	4
Head A: LED	No
Head A: Width across flats	AF13
Head A: Tightening torque	0.6 Nm
Head A: Knurled nut material	Zinc-pressure die casting, surface Ni
Head A: Body color	Black
Labeling sleeve side A	Yes
Head A: Contact layout pin 1	YE
Head A: Contact layout pin 2	WH
Head A: Contact layout pin 3	OG
Head A: Contact layout pin 4	BU

Side B	
Head B: Connection	RJ45
Head B: Angle cable outlet	0°
Head B: Gender	Male
Head B: No. of poles	4
Head B: LED	No
Head B: Body color	Black
Labeling sleeve side B	Yes
Head B: Contact layout pin 1	YE
Head B: Contact layout pin 2	OG
Head B: Contact layout pin 3	WH
Head B: Contact layout pin 6	BU

Cables	
Cable length	500 cm
Length tolerance	± 7.5 cm
Shielded	Yes
Conductor structure	19 x 0.16 mm

Cables	
AWG	22/19
External sheath: Material	PUR
External sheath: Color	Green
Cable diameter	6.6 mm $\pm 5\%$
Cable: Halogen free	Yes

Cable	
Cable: Temperature range (mobile)	- 20 ...+ 60 °C
Cable: Temperature range (fixed)	- 40 ...+ 80 °C
Operating voltage (only UL listed)	30 V AC/DC
Shielded	Yes
Shielding: Covering	approx. 85 %
Characteristic impedance	100 mOhm $\pm 15\%$
Signal delay	5 ns/m
Transmission rate	100 MBit/s
Bending radius (fixed)	52.8 mm
Length tolerance	± 7.5 cm
Cable length	500 cm
AWG	22/19
Bending radius (fixed)	min. 8 x outer diameter
Bending radius (mobile)	min. 12 x outer diameter
Cable weight	approx. 67 g/m
Conductor structure	19 x 0.16 mm
Cable diameter	6.6 mm $\pm 5\%$
Insulation resistance	min. 5 MOhm x m
Conductor: Material	Copper, tinned
External sheath: Material	PUR
Insulation: Material	PE
Shielding: Material	Copper, tinned; PET aluminium coated
Nominal voltage	300 V
Paired stranding	No
Single wire diameter	0.16 mm
Cable: Test voltage	2 kV AC
Torsion stress in °	$\pm 180^\circ/\text{m}$
Wire processing	No
Wire diameter incl. isolation	1.6 mm $\pm 5\%$
External sheath: Color	Green
Protocols	CAT5e

The product features and technical data specified do not express or imply any warranty. Technical modifications subject to change.

Technical data

Electrical data

Operating voltage	max. 60 V DC
Operating voltage (only UL listed)	30 V AC/DC
Nominal voltage	300 V
Contact resistance	max. 30 mOhm
Operating current per contact	max. 1.5 A

Mechanical data

Head A: Degree of protection	IP67
Head B: Degree of protection	IP20
Bending radius (mobile)	min. 12 × outer diameter
Bending radius (fixed)	min. 8 × outer diameter
Torsion stress in °	± 180 °/m

Environmental conditions

Temperature range (mobile)	- 20 ... + 60 °C
Temperature range (fixed)	- 25 ... + 85 °C
Cable: Temperature range (fixed)	- 40 ... + 80 °C
Dragchain capable	No
Head A: Chemical resistance	No
Head A: Flame resistance	HB (UL 94)

Environmental conditions

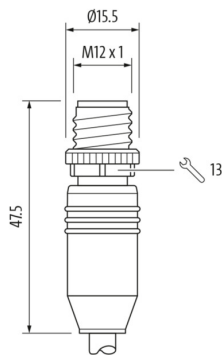
Head A: Oil resistance	ASTM 1 oil, mineral oils, limited to hydraulic oils
Head A: Acid and alkali resistant	No
Head A: Pollution degree	3
Head B: Chemical resistance	No
Head B: Flame resistance	HB (UL 94)
Head B: Oil resistance	ASTM 1 oil, mineral oils, limited to hydraulic oils
Head B: Acid and alkali resistant	No
Head B: Pollution degree	3
Cable: Chemical resistance	No
Cable: Flame resistance	Conform UL 1581 §1060 (FT1), §1061 (cable flame), §1080 (VW-1), IEC 60332-1-2 Std.
Cable: Oil resistance	Conform IEC 60811-2-1, ICEA S-82-552, ASTM-oil 1 Std.
Cable: Acid and alkali resistant	No
Cable: Silicone-free	Yes
Cable: UV resistance	Yes

Commercial data

Eclass	27061801
--------	----------

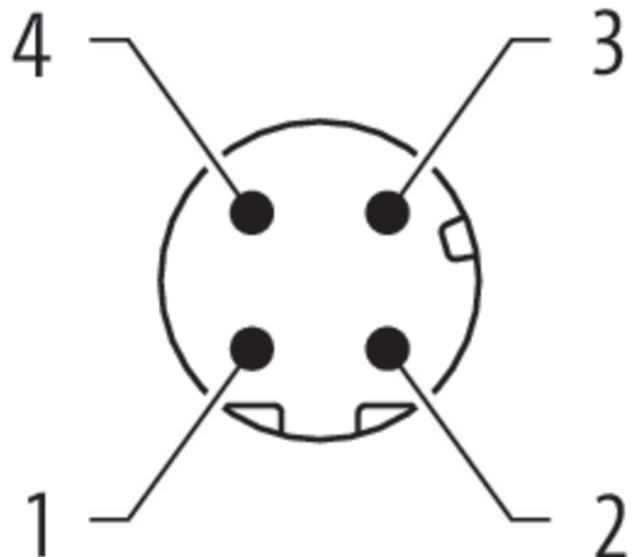
Side A

Technical drawing



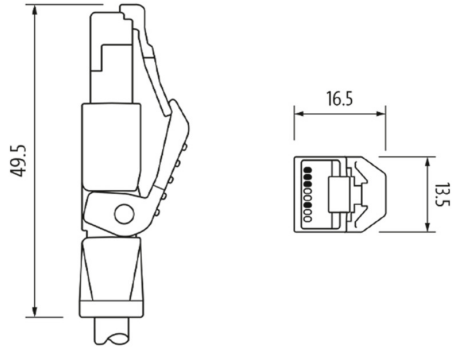
Side A

Coding

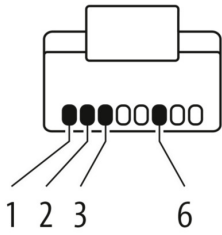


Side B

Technical drawing



Coding



Connection diagram

