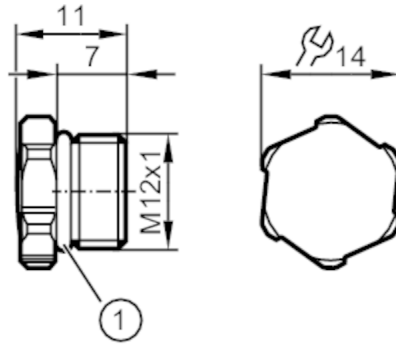


# E12839



## Protective cap

Protective cap M12 PA 4 pcs.



1: O-ring

### Application

Design	for M12 socket to cover the unused inputs and outputs on the module
Application	for industrial applications
Installation	Use only with protection class III devices

### Operating conditions

Ambient temperature	[°C]	-25...90
---------------------	------	----------

### Mechanical data

Weight	[g]	8.05
Dimensions	[mm]	M12 x 1
Thread designation		M12 x 1
Materials		end caps: PA 6.6 black; Sealing: HNBR
Tightening torque	[Nm]	0.6...1.5

### Remarks

Pack quantity	4 pcs.
---------------	--------