



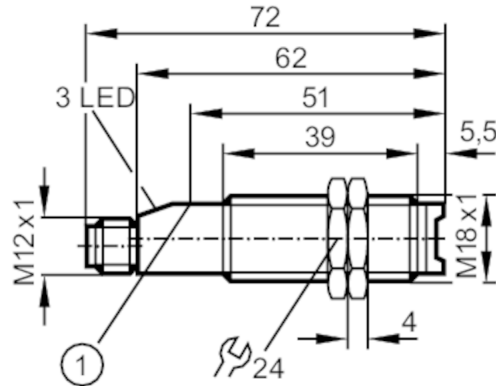
Diffuse reflection sensor

OGTLFPKG/B5/V4A/US-100

Article no longer available - archive entry

Alternative articles: OGH700

When selecting an alternative article and accessories please note that technical data may differ!



1 pushbutton

Product characteristics

Type of light	red light
Laser protection class	2
Housing	threaded type

Application

Special feature	Gold-plated contacts; Function check output
Function principle	Diffuse reflection sensor

Electrical data

Operating voltage [V]	10...30 DC
Current consumption [mA]	< 30; (operation; \$Einstellung: < 50 mA)
Protection class	II
Reverse polarity protection	yes
Type of light	red light
Wave length [nm]	675
Typ. lifetime [h]	50000

Outputs

Electrical design	PNP
Output function	light-on/dark-on mode; (parameterisable)
Max. voltage drop switching output DC [V]	2.5
Function check output	yes
Max. voltage drop of function check output [V]	3.5
Max. current load for function check output [mA]	10
Permanent current rating of switching output DC [mA]	200
Switching frequency DC [Hz]	500

OG5056



Diffuse reflection sensor

OGTLFPKG/B5/V4A/US-100

Short-circuit protection	yes
Type of short-circuit protection	pulsed
Overload protection	yes

Detection zone

Range [mm]	1...150; (white paper 200 x 200 mm 90% remission)
Range adjustable	yes
Max. light spot diameter [mm]	0.1
Light spot dimensions refer to	Range

Operating conditions

Ambient temperature [°C]	-10...50
Protection	IP 67

Tests / approvals

EMC	EN 60947-5-2	
	EN 55011	class B
Laser protection class		2
Notes on laser protection	Caution:	laser light
	pulse performance:	<= 2,2 mW
	Wave length:	675 nm
	frequency:	2,2 kHz
	Pulse length:	24 µs
	Do not stare into beam.	
	Avoid exposure to the laser light.	
laser class:	2	
		EN 60825-1

Mechanical data

Housing	threaded type
Dimensions [mm]	M18 x 1 / L = 72
Thread designation	M18 x 1
Materials	stainless steel (316L/1.4404); PBT
Lens material	PMMA

Displays / operating elements

Display	switching status	1 x LED, yellow
	operation	1 x LED, green
	function	1 x LED, red

Accessories

Items supplied	lock nuts: 2
----------------	--------------

Remarks

Pack quantity	1 pcs.
---------------	--------

OG5056



Diffuse reflection sensor

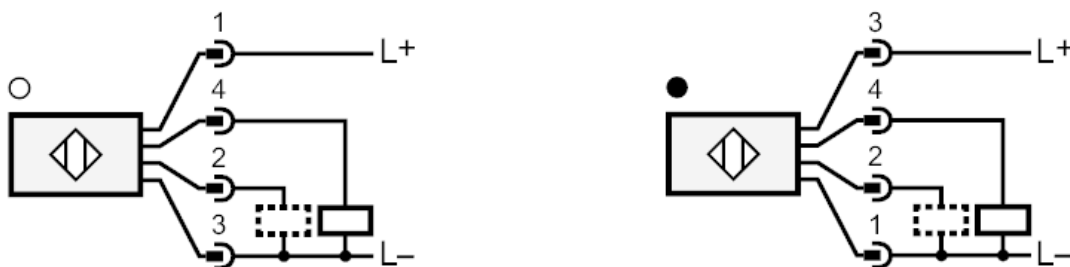
OGTLFPKG/B5/V4A/US-100

Electrical connection

Connector: 1 x M12; coding: A; Contacts: gold-plated



Connection



2 Function check output

OG5056



Diffuse reflection sensor

OGTLFPKG/B5/V4A/US-100

Diagrams and graphs

excess gain graph

