

PROT-M23-PW-IT-IP20 - Plastic protective cap



1577207

<https://www.phoenixcontact.com/gb/products/1577207>

Please be informed that the data shown in this PDF document is generated from our online catalog. Please find the complete data in the user documentation. Our general terms of use for downloads are valid.

Plastic protective cap, M23, series: SH, SF



Commercial data

Item number	1577207
Packing unit	25 pc
Minimum order quantity	25 pc
Sales key	ABRGAE
Product key	ABRGAE
GTIN	4067923066687
Weight per piece (including packing)	3.096 g
Weight per piece (excluding packing)	2.9 g
Customs tariff number	39269097
Country of origin	DE

PROT-M23-PW-IT-IP20 - Plastic protective cap



1577207

<https://www.phoenixcontact.com/gb/products/1577207>

Technical data

Product properties

Product type	Protective cap
Series	SH
	SF

Material specifications

Material	TPE
----------	-----

Environmental and real-life conditions

Ambient conditions

Degree of protection	IP20
Ambient temperature (operation)	-40 °C ... 105 °C

PROT-M23-PW-IT-IP20 - Plastic protective cap

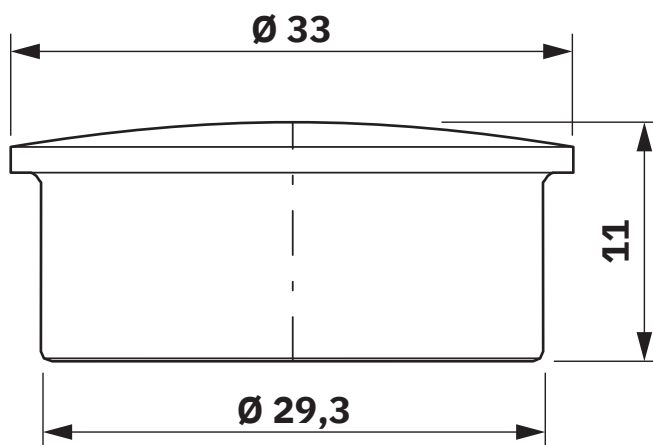
1577207

<https://www.phoenixcontact.com/gb/products/1577207>



Drawings

Dimensional drawing



Dimensional drawing

PROT-M23-PW-IT-IP20 - Plastic protective cap



1577207

<https://www.phoenixcontact.com/gb/products/1577207>

Classifications

ECLASS

ECLASS-13.0	27440208
ECLASS-15.0	27440208

ETIM

ETIM 9.0	EC002314
----------	----------

PROT-M23-PW-IT-IP20 - Plastic protective cap



1577207

<https://www.phoenixcontact.com/gb/products/1577207>

Environmental product compliance

EU RoHS

Fulfills EU RoHS substance requirements	Yes, No exemptions
---	--------------------

EU REACH SVHC

REACH candidate substance (CAS No.)	No substance above 0.1 wt%
-------------------------------------	----------------------------

Phoenix Contact 2025 © - all rights reserved

<https://www.phoenixcontact.com>

PHOENIX CONTACT Ltd
Halesfield 13, Telford
Shropshire, TF7 4PG
01952 681700
info@phoenixcontact.co.uk