

E AB A 130X80X60 12MPT - Junction box



3001999

<https://www.phoenixcontact.com/gb/products/3001999>

Please be informed that the data shown in this PDF document is generated from our online catalog. Please find the complete data in the user documentation. Our general terms of use for downloads are valid.



Junction box, With 12 terminal blocks, 2.5 mm² with push-in technology, material: ABS, gray, 130 mm x 80 mm x 60 mm, type of locking: Screw-on cover

Your advantages

- Terminal box with cover and pre-assembled terminal strip
- Fast wiring without the need for additional components

Commercial data

| | |
|--------------------------------------|---------------|
| Item number | 3001999 |
| Packing unit | 1 pc |
| Minimum order quantity | 1 pc |
| Sales key | BH8231 |
| Product key | BH8231 |
| GTIN | 4055626083834 |
| Weight per piece (including packing) | 416.3 g |
| Weight per piece (excluding packing) | 411.8 g |
| Customs tariff number | 85371098 |
| Country of origin | IN |

E AB A 130X80X60 12MPT - Junction box



3001999

<https://www.phoenixcontact.com/gb/products/3001999>

Technical data

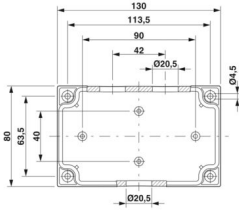
Product properties

| | |
|--------------|--------------|
| Product type | Terminal box |
|--------------|--------------|

Insulation characteristics

| | |
|------------------|----|
| Protection class | II |
|------------------|----|

Dimensions

| | |
|---------------------|--|
| Dimensional drawing |  |
| Width | 130 mm |
| Height | 80 mm |
| Depth | 60 mm |

Material specifications

| | |
|--|----------------------------|
| Color | gray |
| Material | ABS |
| Flammability rating according to UL 94 | UL-94 HB |
| Seal material | Silicon |
| Type of insulation | full protective insulation |
| Components | halogen-free |

Mechanical properties

General

| | |
|-----------------------|--------------------------------|
| Type of locking (GRP) | Screw-on cover Phillips-Recess |
|-----------------------|--------------------------------|

Environmental and real-life conditions

Degree of protection (IP code)

| | |
|----------------------|------|
| Degree of protection | IP67 |
|----------------------|------|

Ambient conditions

| | |
|---------------------------------|------------------|
| Ambient temperature (operation) | -25 °C ... 60 °C |
|---------------------------------|------------------|

Mounting

| | |
|---------------|----------------------------------|
| Assembly note | Screw connection in housing base |
|---------------|----------------------------------|

E AB A 130X80X60 12MPT - Junction box

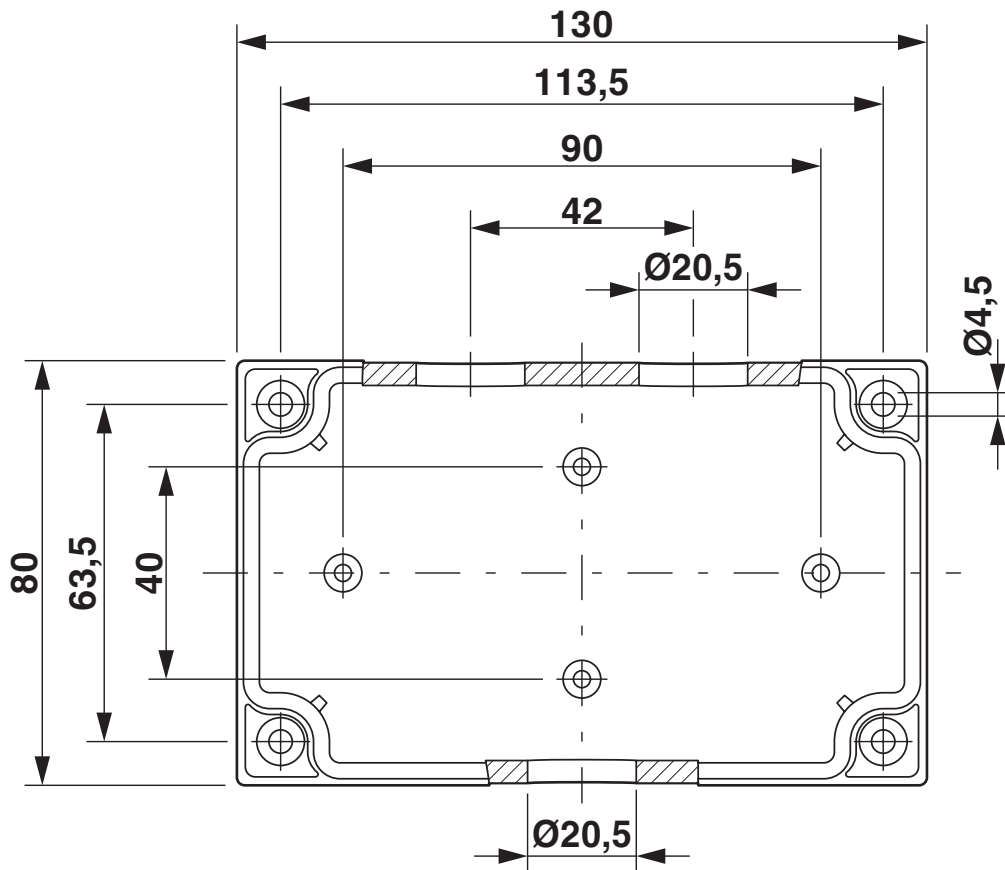


3001999

<https://www.phoenixcontact.com/gb/products/3001999>

Drawings

Dimensional drawing



E AB A 130X80X60 12MPT - Junction box



3001999

<https://www.phoenixcontact.com/gb/products/3001999>

Approvals

To download certificates, visit the product detail page: <https://www.phoenixcontact.com/gb/products/3001999>



EAC

Approval ID: RU C-DE.BL08.B.00582

E AB A 130X80X60 12MPT - Junction box



3001999

<https://www.phoenixcontact.com/gb/products/3001999>

Classifications

ECLASS

| | |
|-------------|----------|
| ECLASS-13.0 | 27180101 |
| ECLASS-15.0 | 27180101 |

ETIM

| | |
|----------|----------|
| ETIM 9.0 | EC000261 |
|----------|----------|

UNSPSC

| | |
|-------------|----------|
| UNSPSC 21.0 | 31261500 |
|-------------|----------|

E AB A 130X80X60 12MPT - Junction box



3001999

<https://www.phoenixcontact.com/gb/products/3001999>

Environmental product compliance

EU RoHS

| | |
|---|--------------------|
| Fulfills EU RoHS substance requirements | Yes, No exemptions |
|---|--------------------|

EU REACH SVHC

| | |
|-------------------------------------|----------------------------|
| REACH candidate substance (CAS No.) | No substance above 0.1 wt% |
|-------------------------------------|----------------------------|

Phoenix Contact 2025 © - all rights reserved

<https://www.phoenixcontact.com>

PHOENIX CONTACT Ltd
Halesfield 13, Telford
Shropshire, TF7 4PG
01952 681700
info@phoenixcontact.co.uk