

PROT-M23PRO-OT-IP20 - Plastic protective cap



1055753

<https://www.phoenixcontact.com/gb/products/1055753>

Please be informed that the data shown in this PDF document is generated from our online catalog. Please find the complete data in the user documentation. Our general terms of use for downloads are valid.

Plastic protective cap, M23, series: M23 PRO



Commercial data

| | |
|--------------------------------------|---------------|
| Item number | 1055753 |
| Packing unit | 25 pc |
| Minimum order quantity | 25 pc |
| Sales key | ABRGAE |
| Product key | ABRGAE |
| GTIN | 4063151784003 |
| Weight per piece (including packing) | 2.02 g |
| Weight per piece (excluding packing) | 1.95 g |
| Customs tariff number | 39269097 |
| Country of origin | DE |

PROT-M23PRO-OT-IP20 - Plastic protective cap



1055753

<https://www.phoenixcontact.com/gb/products/1055753>

Technical data

Product properties

| | |
|--------------|----------------|
| Product type | Protective cap |
| Series | M23 PRO |

Material specifications

| | |
|----------|-----|
| Material | TPE |
|----------|-----|

Environmental and real-life conditions

Ambient conditions

| | |
|---------------------------------|-------------------|
| Degree of protection | IP20 |
| Ambient temperature (operation) | -40 °C ... 105 °C |

PROT-M23PRO-OT-IP20 - Plastic protective cap

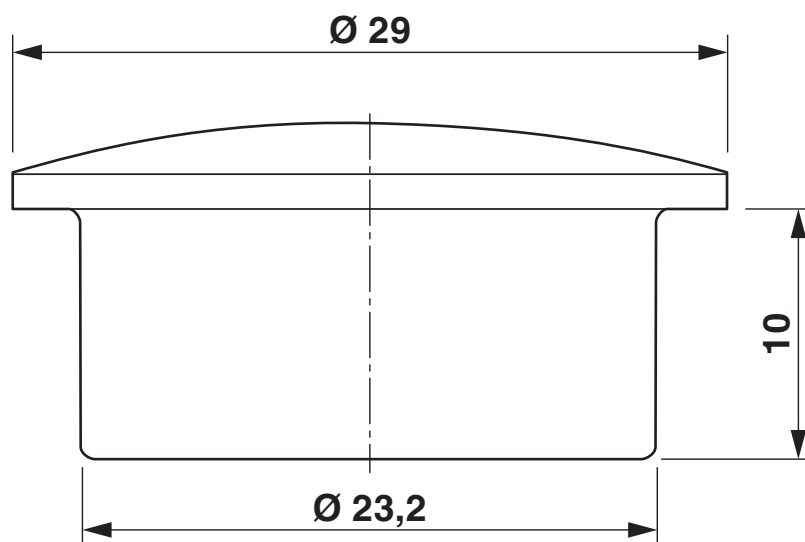


1055753

<https://www.phoenixcontact.com/gb/products/1055753>

Drawings

Dimensional drawing



Dimensional drawing

PROT-M23PRO-OT-IP20 - Plastic protective cap



1055753

<https://www.phoenixcontact.com/gb/products/1055753>

Classifications

ECLASS

| | |
|-------------|----------|
| ECLASS-13.0 | 27440208 |
| ECLASS-15.0 | 27440208 |

ETIM

| | |
|----------|----------|
| ETIM 9.0 | EC002314 |
|----------|----------|

UNSPSC

| | |
|-------------|----------|
| UNSPSC 21.0 | 39121400 |
|-------------|----------|

PROT-M23PRO-OT-IP20 - Plastic protective cap



1055753

<https://www.phoenixcontact.com/gb/products/1055753>

Environmental product compliance

EU RoHS

| | |
|---|--------------------|
| Fulfills EU RoHS substance requirements | Yes, No exemptions |
|---|--------------------|

China RoHS

| | |
|--|--|
| Environment friendly use period (EFUP) | EFUP-E |
| | No hazardous substances above the limits |

EU REACH SVHC

| | |
|-------------------------------------|----------------------------|
| REACH candidate substance (CAS No.) | No substance above 0.1 wt% |
|-------------------------------------|----------------------------|

Phoenix Contact 2025 © - all rights reserved
<https://www.phoenixcontact.com>

PHOENIX CONTACT Ltd
Halesfield 13, Telford
Shropshire, TF7 4PG
01952 681700
info@phoenixcontact.co.uk