

# Product datasheet

Specifications



## Controller system, Modicon TM5 Safety, Safe logic CPU, SERCOS III interface, 100 nodes

TM5CSLC400FS

EAN Code: 3606485823850

### Main

Range of product	Modicon TM5
Product or component type	Controller system
Device application	Safety logic controller
Reverse polarity protection	Yes

### Complementary

Communication network type	SERCOS III (Ethernet)
Transmission rate	100 Mbit/s for full duplex
Cycle time	1 ms
Realtime clock	With non-volatile memory
Number of devices	2 shielded RJ45 1 memory key slot
Function available	Support max 100 safety nodes
Maximum cable distance between devices	100 m between station
Rated voltage	24 V -15...20 %
Input protection type	Integrated fuse (not interchangeable)
Power consumption in W	4.3 W
Type of cooling	Fanless
Marking	CE
Safety level	SIL 3 conforming to IEC 61508 SIL 3 conforming to IEC 62061 PL = e conforming to ISO 13849-1 category 4
Safety reliability data	PFD < 1E-5 PFH < 1E-9 MTTFd > 100 years
Local signalling	1 LED (green or orange) for application run or machine expert - safety debug mode 1 LED (green) for authorization status 1 LED (orange) for configuration status (Ready) 1 LED (orange) for firmware status 1 LED (red) for boot status / FS status 1 LED (orange) for memory key status
Colour	Red
Width	62.5 mm
Height	99 mm
Depth	75 mm
Net weight	0.208 kg

## Environment

Ambient air temperature for operation	0...45 °C (vertical installation) 0...55 °C (horizontal installation)
Ambient air temperature for storage	-25...70 °C
Relative humidity	5...95 % without condensation
IP degree of protection	IP20
Operating altitude	0...2000 m
Standards	EN 13849-1 IEC 61131-2 IEC 61508 IEC 61511 IEC 62061
Product certifications	cULus

## Packing Units

Unit Type of Package 1	PCE
Number of Units in Package 1	1
Package 1 Height	10.800 cm
Package 1 Width	12.000 cm
Package 1 Length	17.200 cm
Package 1 Weight	309.000 g
Unit Type of Package 2	S03
Number of Units in Package 2	9
Package 2 Height	30.000 cm
Package 2 Width	30.000 cm
Package 2 Length	40.000 cm
Package 2 Weight	3.392 kg

## Contractual warranty

Warranty	18 months
----------	-----------



## Environmental Data

Schneider Electric aims to achieve Net Zero status by 2050 through supply chain partnerships, lower impact materials, and circularity via our ongoing “Use Better, Use Longer, Use Again” campaign to extend product lifetimes and recyclability.

[Environmental Data explained >](#)

[How we assess product sustainability >](#)

### Environmental footprint

Total lifecycle Carbon footprint 204

Environmental Disclosure [Product Environmental Profile](#)

## Use Better

### Materials and Substances

Packaging made with recycled cardboard Yes

Packaging without single use plastic Yes

[EU RoHS Directive](#) Pro-active compliance (Product out of EU RoHS legal scope)

REACH Regulation [REACH Declaration](#)

## Use Again

### Repack and remanufacture

End of life manual availability [End of Life Information](#)

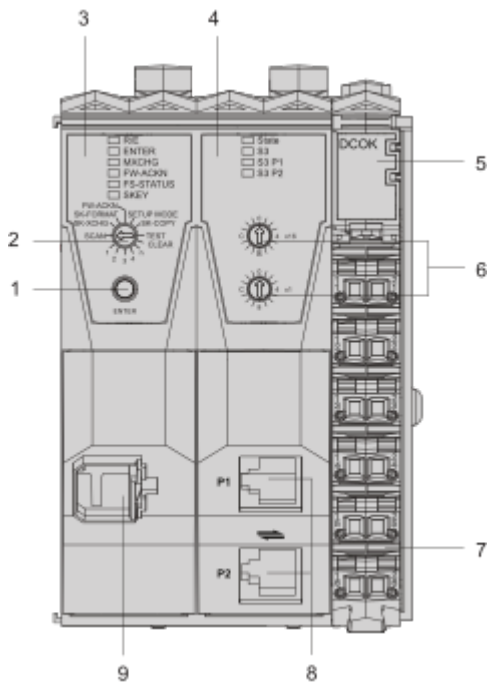
Take-back No

WEEE Label  The product must be disposed on European Union markets following specific waste collection and never end up in rubbish bins

Presentation

**TM5 Safety logic Controller Module**

---



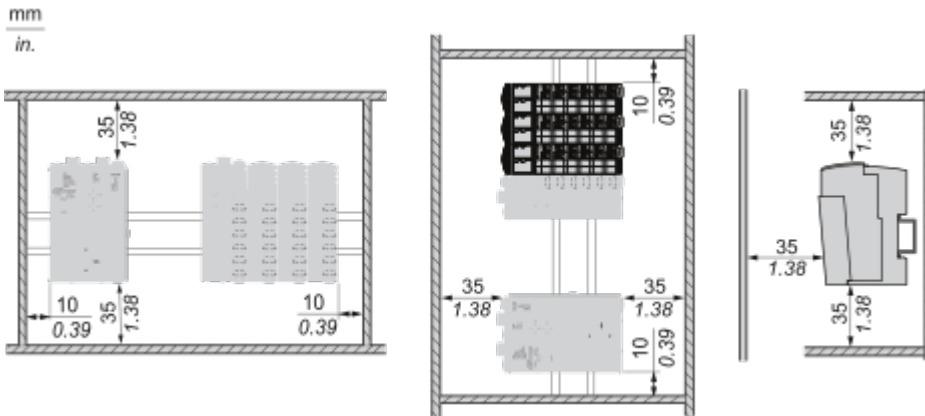
- (1) Confirmation button
- (2) Selection switch
- (3) Logic processor
- (4) SERCOS III interface
- (5) Integrated power supply
- (6) SERCOS III address switches
- (7) Terminal block for Safe Logic Controller supply
- (8) SERCOS III connection with 2 x RJ45
- (9) Memory Key slot



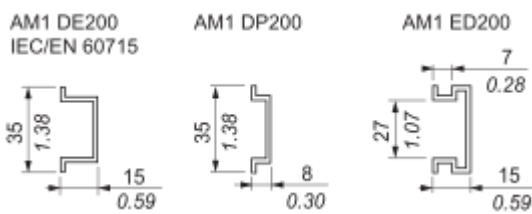
Mounting and Clearance

Mounting and Clearances

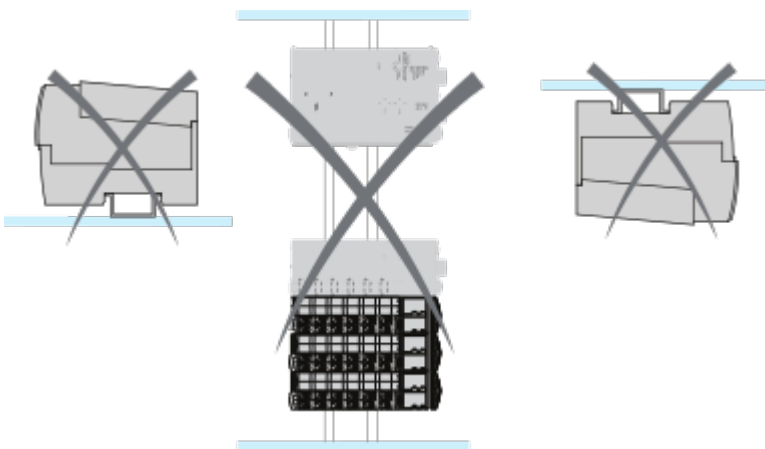
Spacing Requirements



Mounting on a DIN Rail



Incorrect Mounting

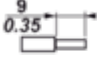






Connections and Schema

**TM5 System Wiring Recommendations**

---

**Wire Sizes to Use with the Removable Spring Terminal Blocks**

 mm in.				
mm <sup>2</sup>	0,08...2,5	0,25...2,5	0,25...1,5	2 x 0,25...2 x 0,75
AWG	28...14	24...14	24...16	2 x 24...2 x 18