

Metric screw connection M20 for AS-i-profile cable for routing the Flat cable into AS-i-housing for plastic or metal Enclosure with 1-3 control points,



product brand name	SIRIUS ACT	
product designation	Metric cable gland	
design of the product	M20 for AS-i profile cable and AS-i enclosures with 1 to 3 command points	
product type designation	3SU1	
General technical data		
protection class IP	IP66, IP67, IP69(IP69K)	
Substance Prohibittance (Date)	10/01/2014	
Weight	44 g	
Ambient conditions		
ambient temperature		
• during operation	-25 ... +70 °C	
• during storage and transport	-40 ... +80 °C	
Environmental footprint		
Environmental Product Declaration(EPD)	Yes	
global warming potential [CO2 eq] total	0.787 kg	
global warming potential [CO2 eq] during manufacturing	0.566 kg	
global warming potential [CO2 eq] during operation	0.235 kg	
global warming potential [CO2 eq] after end of life	-0.015 kg	
Installation/ mounting/ dimensions		
height	29.7 mm	
width	29.7 mm	
mounting height	31 mm	
installation depth	13 mm	
Accessories		
material of accessory	Plastic	
color of accessory	black	
Approvals Certificates		
General Product Approval	Test Certificates	Maritime application



[Type Test Certificates/Test Report](#)



Maritime application

other

Environment



[Confirmation](#)





[Environmental Con-
firmations](#)

Further information

Information on the packaging

<https://support.industry.siemens.com/cs/ww/en/view/109813875>

Information for data generation and storage

<https://support.industry.siemens.com/cs/ww/en/view/109995012>

Information- and Downloadcenter (Catalogs, Brochures,...)

<https://www.siemens.com/ic10>

Industry Mall (Online ordering system)

<https://mall.industry.siemens.com/mall/en/en/Catalog/product?mlfb=3SU1900-0HE10-0AA0>

Cax online generator

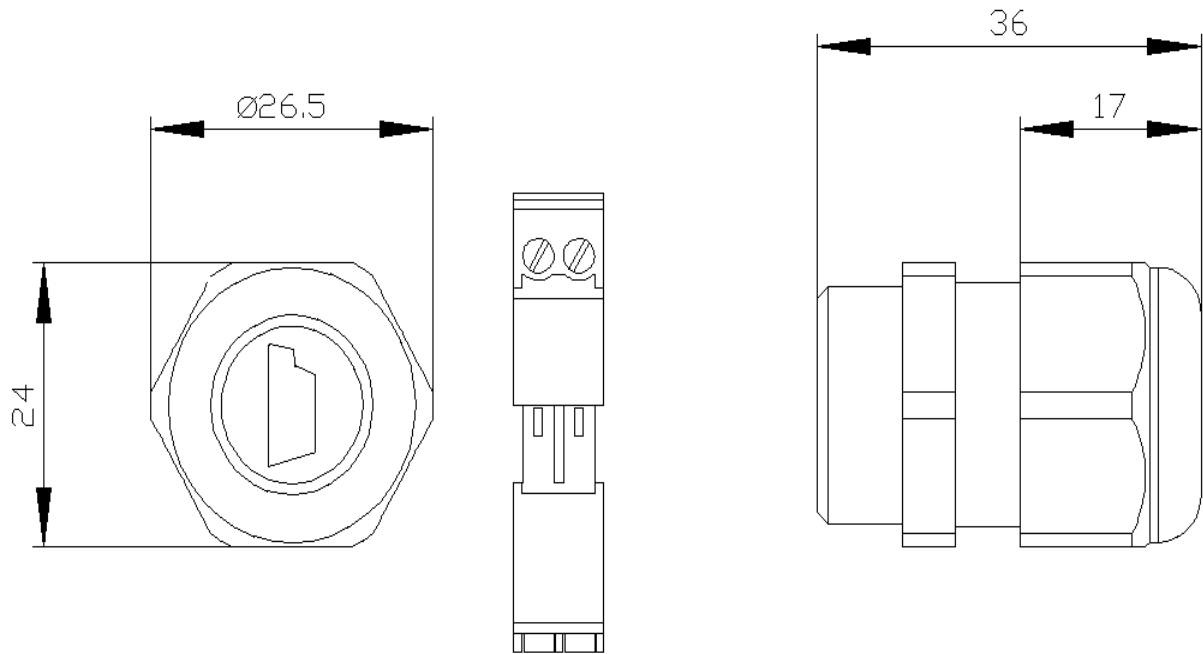
<http://support.automation.siemens.com/WW/CAXorder/default.aspx?lang=en&mlfb=3SU1900-0HE10-0AA0>

Service&Support (Manuals, Certificates, Characteristics, FAQs,...)

<https://support.industry.siemens.com/cs/ww/en/ps/3SU1900-0HE10-0AA0>

Image database (product images, 2D dimension drawings, 3D models, device circuit diagrams, EPLAN macros, ...)

http://www.automation.siemens.com/bilddb/cax_de.aspx?mlfb=3SU1900-0HE10-0AA0&lang=en



last modified:

4/2/2025 