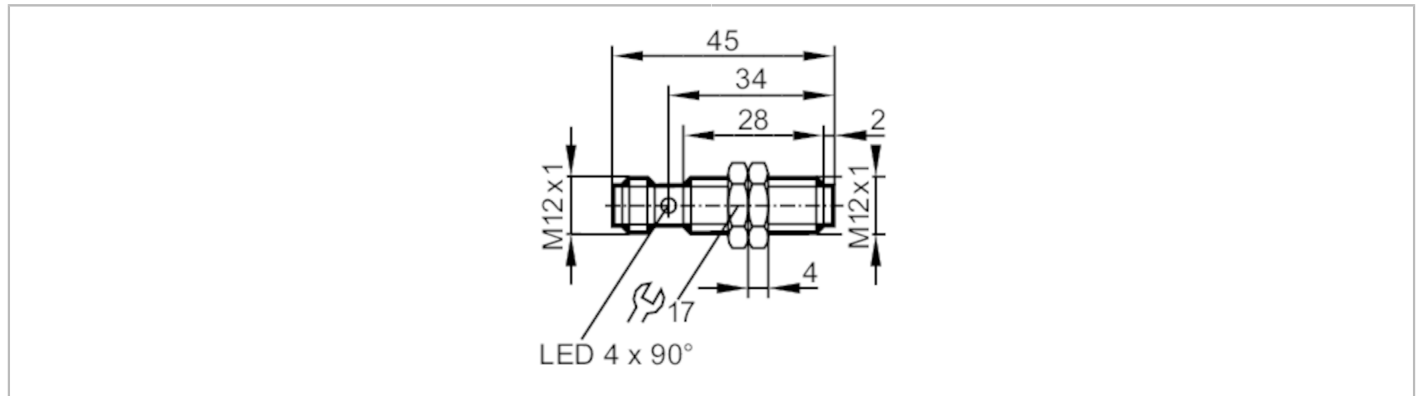


# IFT259



## Inductive full-metal sensor

IFB3005QBPKG/AM/P/US-104



Product characteristics	
Electrical design	PNP
Output function	normally open
Sensing range [mm]	5
Housing	threaded type
Dimensions [mm]	M12 x 1 / L = 45
Application	
Special feature	Gold-plated contacts; Increased sensing range; Full-metal housing
Application	Use in hygienic areas / regular cleaning processes
Pressure rating	100 bar   10 MPa
Note on pressure rating	sensing face
Electrical data	
Operating voltage [V]	10...30 DC
Current consumption [mA]	20
Protection class	III
Reverse polarity protection	yes
Outputs	
Electrical design	PNP
Output function	normally open
Max. voltage drop switching output DC [V]	2.5
Permanent current rating of switching output DC [mA]	100
Switching frequency DC [Hz]	250
Short-circuit protection	yes
Overload protection	yes
Detection zone	
Sensing range [mm]	5
Real sensing range Sr [mm]	5; ( $\pm 10\%$ )
Operating distance [mm]	0...4.05
Increased sensing range	yes

# IFT259



## Inductive full-metal sensor

IFB3005QBPKG/AM/P/US-104

Accuracy / deviations		
Correction factor	steel: 1 / stainless steel: 1 / brass: 0.3 / aluminium: 0.3 / copper: 0.2	
Hysteresis [% of Sr]	3...15	
Switch point drift [%]	-10...10	
Operating conditions		
Ambient temperature [°C]	0...100	
Protection	IP 65; IP 66; IP 67; IP 68; IP 69K	
Tests / approvals		
EMC	EN 61000-4-2 ESD	4 kV CD / 8 kV AD
	EN 61000-4-3 HF radiated	10 V/m
	EN 61000-4-4 Burst	2 kV
	EN 61000-4-6 HF conducted	10 V
	EN 55011	class B
Impact resistance	1 J	
Vibration resistance	EN 60068-2-6 Fc	20 g (10...3000 Hz) / 50 sweep cycles, 1 octave per minute, in 3 axes
Shock resistance	EN 60068-2-27 Ea	100 g 11 ms half-sine; 3 shocks each in every direction of the 3 coordinate axes
Continuous shock resistance	EN 60068-2-27	40 g 6 ms; 4000 shocks each in every direction of the 3 coordinate axes
Fast temperature change	EN 60068-2-14 Nc	TA = 0°C; TB = 100°C; t1 = 30 min; t2 = < 10 s 50 cycles
MTTF [years]	1386	
Embedded software included	yes	
UL approval	Ta	0...70 °C
	Enclosure type	Type 1
	UL approval no.	A012
	File number UL	E174191
Mechanical data		
Weight [g]	24.7	
Housing	threaded type	
Mounting	quasi flush	
Dimensions [mm]	M12 x 1 / L = 45	
Thread designation	M12 x 1	
Materials	stainless steel (316L/1.4404); sensing face: stainless steel (316L/1.4404); LED window: PEI; lock nuts: stainless steel (316L/1.4404)	
Tightening torque [Nm]	15	
Full-metal housing	yes	
Displays / operating elements		
Display	switching status	4 x LED, yellow
Accessories		
Items supplied	lock nuts: 2	
Remarks		
Pack quantity	1 pcs.	

# IFT259

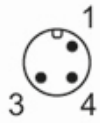


## Inductive full-metal sensor

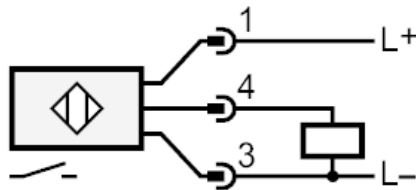
IFB3005QBPKG/AM/P/US-104

### Electrical connection - plug

Connector: 1 x M12; coding: A; Contacts: gold-plated

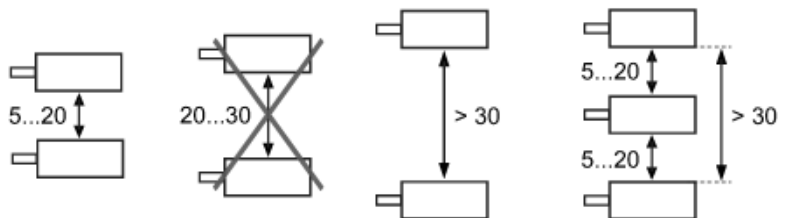


### Connection



### Diagrams and graphs

#### Installation



# IFT259

## Inductive full-metal sensor

IFB3005QBPKG/AM/P/US-104

