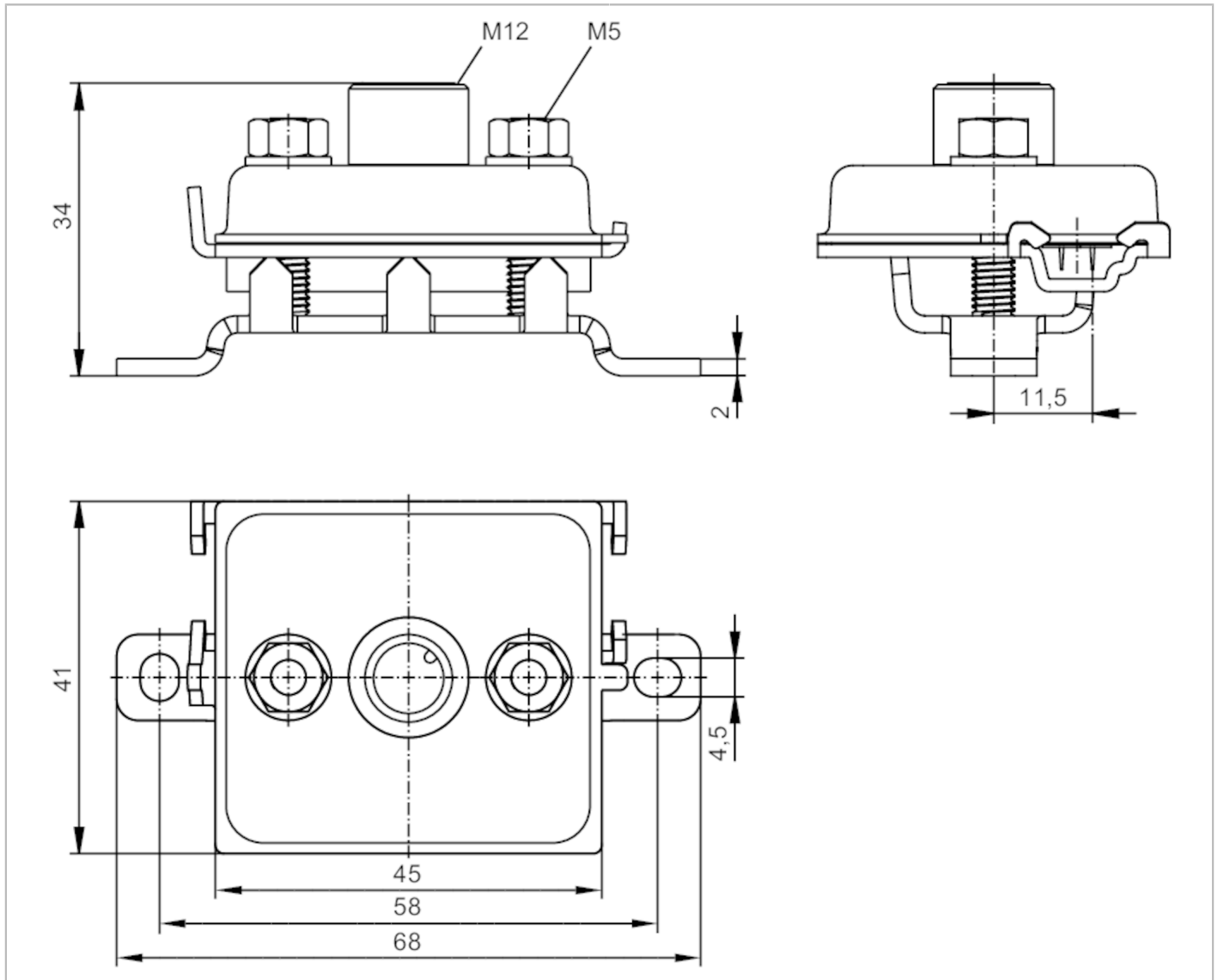


# E75354



## AS-Interface flat cable insulation displacement connector

FC Splitter ye ProcessL



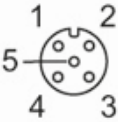
Application	
Design	AS-i
Application	hygienic and wet areas in the food industry
Electrical data	
Operating voltage [V]	26.5...31.6 DC; (AS-i)
Protection class	III
Operating voltage AUX DC [V]	18...32
Max. current load total [A]	2
Operating conditions	
Ambient temperature [°C]	-30...80
Max. relative air humidity [%]	80; (31 °C; linearly decreasing to 50 % (40 °C))
Max. height above sea level [m]	2000
Protection	IP 67; IP 68; IP 69K
Pollution degree	2

# E75354



## AS-Interface flat cable insulation displacement connector

FC Splitter ye ProcessL

Tests / approvals	
EMC	EN 61000-6-2
Mechanical data	
Weight [g]	104.3
Materials	metal parts: stainless steel (316L/1.4404); rubber gasket for contact pins: FPM; O-ring: EPDM
Tightening torque [Nm]	2.5; (lock nuts)
Accessories	
Accessories (optional)	Torque wrench, E70390
Remarks	
Pack quantity	1 pcs.
Electrical connection - socket	
Connector: 1 x M12; coding: A; Tightening torque: 1.2...1.4 Nm	
	
Connection	
1	AS-i +
2	n.c.
3	AS-i -
4	n.c.
5	n.c.