

## MET 1-Phase control and isolating transformer

P: 1000VA IN: 230-400VAC +/- 15VAC OUT: 115VAC

Art.No.: 86444

Weight: 14.3

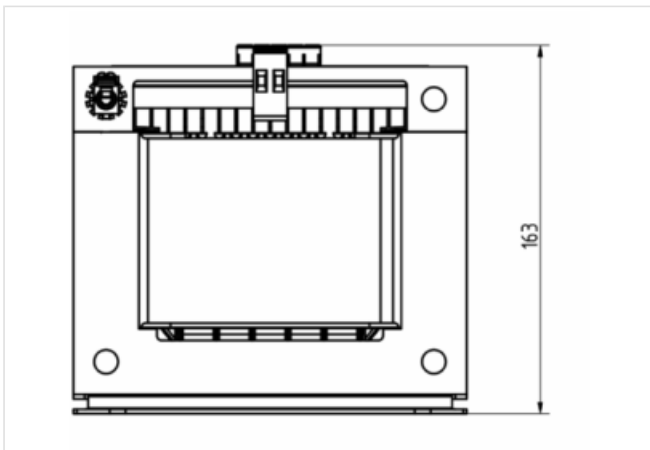
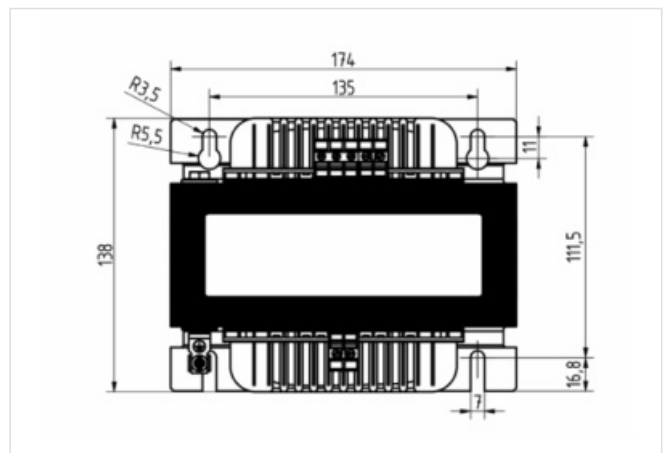
Country of origin: CZ

Model designation: MET 1000-230-400±15V/115 UL

The MET series comprises single-phase control transformers/isolating transformers of the protection class I and protection degree IP00 with double insulation between the primary and secondary windings for general use in industrial applications.

### Link to Product

#### Illustration



Product may differ from Image



#### Header

Material short text MET 1000-230-400±15V/115 UL

#### Commercial data

URL Webshop <https://shop.murrelektronik.com/86444>

GTIN	4065909078990
ECLASS-6.0	27031302
ECLASS-6.1	27031302
ECLASS-7.0	27031302
ECLASS-7.1	27031302
ECLASS-8.0	27031302
ECLASS-8.1	27031302
ECLASS-9.0	27031302
ECLASS-9.1	27031302
ECLASS-10.0.1	27031302
ECLASS-10.1	27031302
ECLASS-11.0	27031302
ECLASS-11.1	27031302
ECLASS-12.0	27031302
ECLASS-13.0	27031302
ECLASS-14.0	27031302
customs tariff number	85043180
EAN	4065909078990
Packaging unit	1

**Electrical data | Supply**

Power frequency	50/60 Hz
-----------------	----------

**Electrical data | Input**

Input voltage 1 AC	230 V
Input voltage 2 AC	400 V
Input current at input voltage 1 AC	4.6 A
Input current at input voltage 2 AC	2.7 A
Inrush current at input voltage 1	88 A
Inrush current at input voltage 2	51 A
Short-circuit current at input voltage 1	161 A
Short-circuit current at input voltage 2	93 A

**Electrical data | Output**

Output voltage AC	115 V
-------------------	-------

**Mechanical data | Mounting data**

Height	138 mm
Width	174 mm
Depth	163 mm
Mounting method	screwed
Suitable for mounting type	Schlüssellochaufhängung
Mounting dimension a	111.5 mm
Mounting dimension b	135 mm
Mounting dimension c	3.5 mm
Diameter bore	3.5 mm
Length bore	11 mm

**Environmental characteristics | Climatic**

Ambient temperature min.	-20 °C
Ambient temperature max.	50 °C
Storage temperature min.	-30 °C
Storage temperature max.	80 °C

**Conformity**

Product standard	EN IEC 61558-1, EN IEC 61558-2-4, EN IEC 62041
EMC	2014/30/EU