

DRIVE CLIQ CABLE

Specification: 6FX8002-2DC10-1EA0

Art.No.: 7000-SS051-8804000

Weight: 2.841

Country of origin: DE

Model designation: M6FX8002-2DC10-1EA0

Advantages of our connectors:

Our connectors are versatile and specially optimised for industrial environments. All connectors are 100% tested during the manufacturing process to ensure the highest quality and reliability.

The contacts are gold-plated, which ensures optimum conductivity. Thanks to the high degree of protection, the connectors are ideal for demanding industrial environments. They are also vibration-resistant - this is ensured by the union nut with vibration protection.

Our connectors are resistant to oils and cooling lubricants, but resistance to aggressive media should be tested for each specific application. Different cable lengths available [on request](#)

If you are missing technical information? Please feel free to use our [dictionary](#) to find more technical details.

Product details:

DRIVE-CLiQ signal cable for SINAMICS S120 and motors with DC 24 V wires

Male straight – male straight

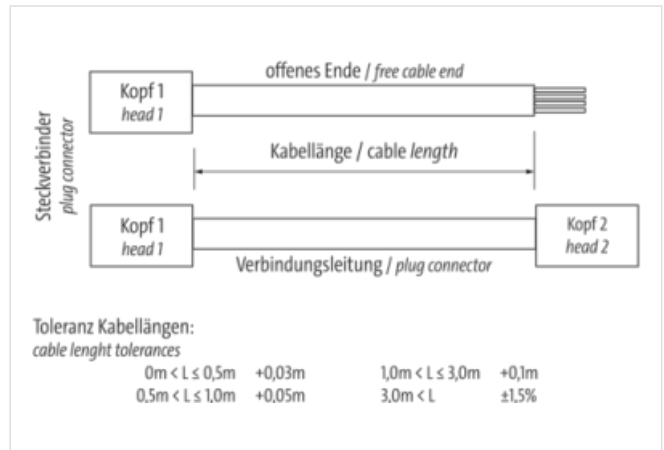
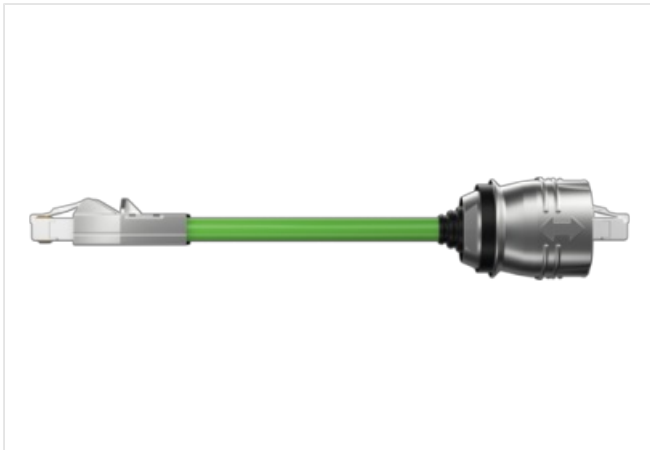
DRIVE-CLiQ IP67 – DRIVE CLiQ IP20

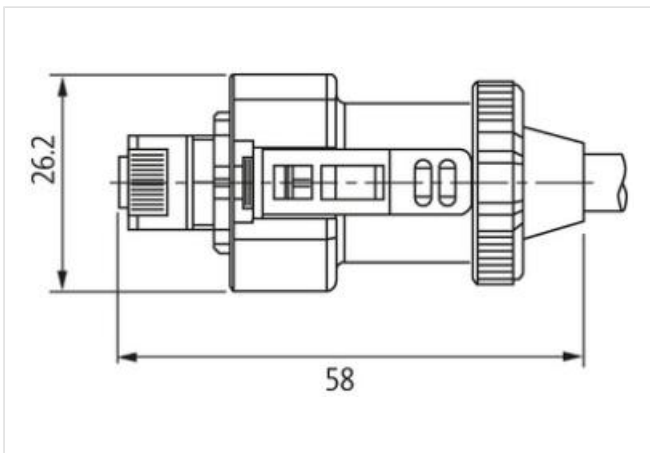
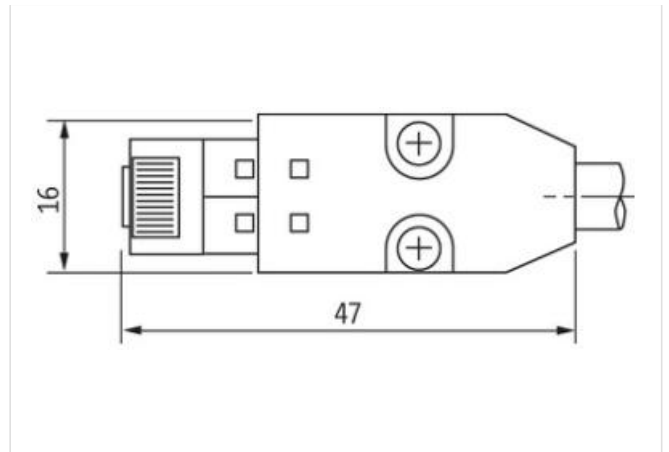
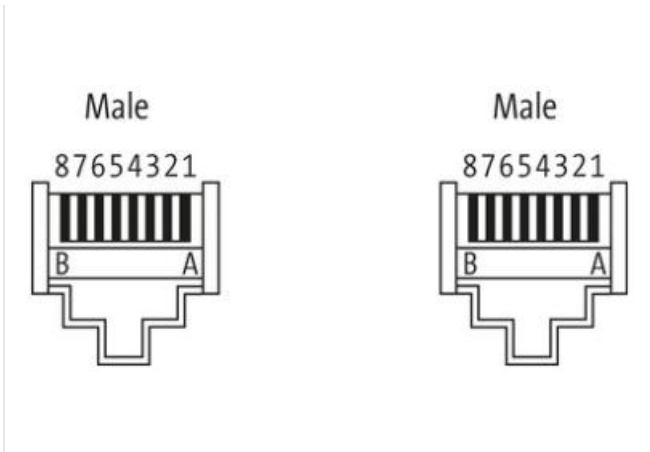
Further cable lengths on request.

The resistance to aggressive media should be individually tested for your application. Further details on request.

Link to Product

Illustration





Product may differ from Image

Cable length 40 m

Side 1

Mounting method pluggable

Family construction form RJ45

Side 2

Mounting method pluggable

Commercial data

ECLASS-6.0	27061801
ECLASS-6.1	27060307
ECLASS-7.0	27060307
ECLASS-8.0	27060307
ECLASS-9.0	27060307
ECLASS-10.1	27060307
ECLASS-11.1	27060307
ECLASS-12.0	27060307
ETIM-5.0	EC000830
customs tariff number	85444210
EAN	4048879615945
Packaging unit	1

Electrical data | Supply

Operating voltage AC max. 30 V

Operating voltage DC max. 30 V

Operating current max. 1,76 A

Device protection | Electrical

Degree of protection (EN IEC 60529) IP20, IP67

Pollution Degree 3

Rated surge voltage 0,5 kV

Material group (IEC 60664-1) II

Mechanical data | Mounting data

Looking techniques DRIVE-CLiQ

Environmental characteristics | Climatic

Operating temperature min. -20 °C

Operating temperature max. 80 °C

Additional condition temperature range depending on cable quality

Important installation notes

Note on strain relief Protect the connectors by suitable measures from mechanical loads, e.g. by the usage of cable ties.

Note on bending radius **Attention:** Observe the permissible bending radii when laying cables, as the IP protection class can be endangered by excessive bending forces.

Installation | Cable

wire arrangement (green, yellow), (pink, blue), (red, black)

Cable identification 880

Jacket Color green

Type of Certificate cURus

Amount stranding 3

Stranding 2 wires with 2 Filler twisted

Amount stranding (type 2) 1

Stranding (type 2) 3 Stranded joints with Filler twisted

Cable shielding (type) copper braid, tinned

Cable shielding (coverage) 85 %

Banding Fleece, Foil

Filler yes

wire arrangement (green, yellow), (pink, blue), (red, black)

Cable weight 75,9 g/m

Material jacket PUR

Freedom from ingredients (jacket) lead-free, CFC-free, halogen-free

Outer-diameter (jacket) 7 mm

Tolerance outer diameter (sheath) $\pm 5\%$

Material wire insulation Polyolefin

Amount wires 4

Outer diameter insulation 1 mm

Outer diameter tolerance core insulation $\pm 5\%$

Amount strands (wire) 19

Diameter of single wires 0,118 mm

Conductor crosssection (wire) 0,2 mm²

Material conductor wire Stranded copper wire, bare

Conductor type (wire) strand class 6

Material wire insulation (Data) Polyolefin

Outer diameter wire insulation (Data) 1 mm

Tolerance outer diameter wire insulation (data) $\pm 5\%$

Amount wires (Data) 2

Amount strands wire (Data) 19

Diameter of single wires (Data) 0,16 mm

Conductor crosssection wire (Data) 0,38 mm²

Material conductor wire (Data) copper stranded wire, tinned

Wire conductor type (Data) strand class 6

Nominal voltage AC max.	30 V
Current load capacity (standard)	to DIN VDE 0298-4
Current load capacity min. wire	2,4 A
Current load capacity min. Wire (Data)	6 A
Characteristic impedance	100 Ω \pm 5 % @ 100 MHz
Electrical resistance line constant wire	94 Ω /km @ 20 °C
Electrical resistance coating wire (Data)	55 Ω /km @ 20 °C
Isolation resistance	1000 M Ω \times km
Min. operating temperature (static)	-20 °C
Max. operating temperature (fixed)	80 °C
Operating temperature min. (dynamic)	-20 °C
Operating temperature max. (dynamic)	60 °C
Flame resistance	UL 1581 § 1090 UL 1581 § 1100 FT2 IEC 60332-2-2
chemical resistance	Good, application-related testing
Gasoline resistance	Good, application-related testing
Oil resistance	Good, application-related testing DIN EN 60811-404
Bending radius (dynamic)	10 x Outer diameter
No. of bending cycles (C-track)	5 Mio.
Traversing distance (C-track)	50 m @ 25 °C horizontal
Travel speed (C-track)	5 m/s @ 25 °C
Torsion stress	\pm 30 °/m