

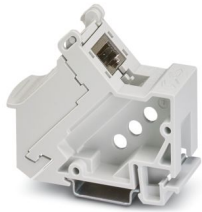
CUC-PP-D1PGY/R4IDC8 - DIN rail adapter



1419024

<https://www.phoenixcontact.com/gb/products/1419024>

Please be informed that the data shown in this PDF document is generated from our online catalog. Please find the complete data in the user documentation. Our general terms of use for downloads are valid.



DIN rail adapter, design: RJ45, degree of protection: IP20, number of positions: 8, 10 Gbps, CAT6_A, material: PC-GF, connection method: IDC connection, connection cross section: AWG 26- 22, color: gray

Product description

DIN rail adapter with RJ45 module for the connection and distribution of Ethernet cables

Commercial data

Item number	1419024
Packing unit	1 pc
Minimum order quantity	1 pc
Sales key	ABNMAY
Product key	ABNMAY
GTIN	4055626251462
Weight per piece (including packing)	61.3 g
Weight per piece (excluding packing)	59.5 g
Customs tariff number	85366990
Country of origin	CH

CUC-PP-D1PGY/R4IDC8 - DIN rail adapter

1419024

<https://www.phoenixcontact.com/gb/products/1419024>

Technical data

Product properties

Product type	Patch panel
Housing type	DIN rail adapter
Type	Rail-mountable module
Number of positions	8
Connection profile	RJ45
Number of slots	1

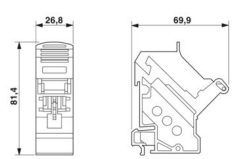
Electrical properties

Rated voltage (III/3)	72 V (DC)
Frequency range	500 MHz
Insulation resistance	> 500 M Ω (100 V DC)
Nominal voltage U_N	72 V (DC)
Nominal current I_N	1.5 A
Transmission speed	10 Gbps

Connection data

Connection method	IDC connection
-------------------	----------------

Dimensions

Dimensional drawing	
Width	26.8 mm
Height	71 mm
Length	81.4 mm

Material specifications

Color	gray
Flammability rating according to UL 94	V0
Housing material	PC-GF
Contact material	CuSn
Contact surface material	Gold over nickel
Contact carrier material	Die-cast zinc alloy
Material, protective cover	PC

Cable/line

External cable diameter	4.5 mm ... 9 mm
Wire diameter	0.4 mm ... 0.65 mm
Wire diameter including insulation	0.8 mm ... 1.6 mm

CUC-PP-D1PGY/R4IDC8 - DIN rail adapter



1419024

<https://www.phoenixcontact.com/gb/products/1419024>

Mechanical properties

Mechanical data

Insertion/withdrawal cycles	≥ 750
-----------------------------	-------

Environmental and real-life conditions

Ambient conditions

Degree of protection	IP20
	IP20
Ambient temperature (operation)	-25 °C ... 70 °C
Ambient temperature (storage/transport)	-40 °C ... 70 °C

Mounting

Mounting type	DIN rail mounting
---------------	-------------------

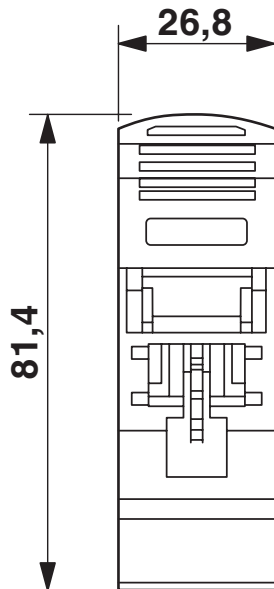
CUC-PP-D1PGY/R4IDC8 - DIN rail adapter

1419024

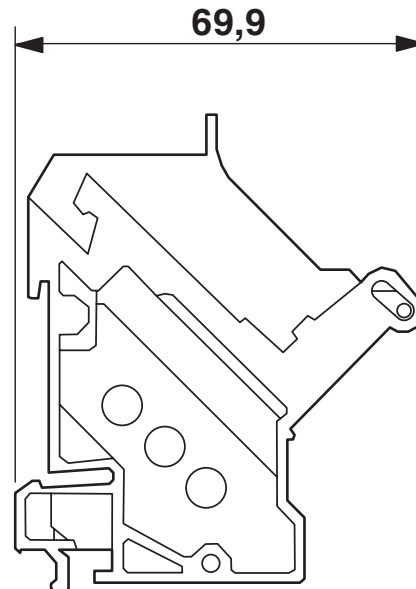
<https://www.phoenixcontact.com/gb/products/1419024>

Drawings

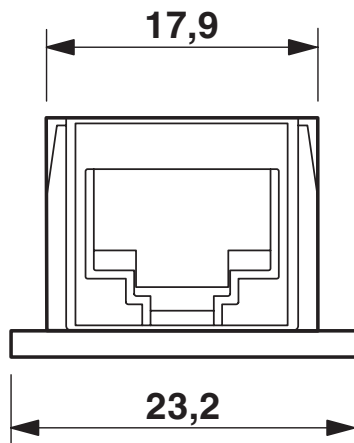
Dimensional drawing



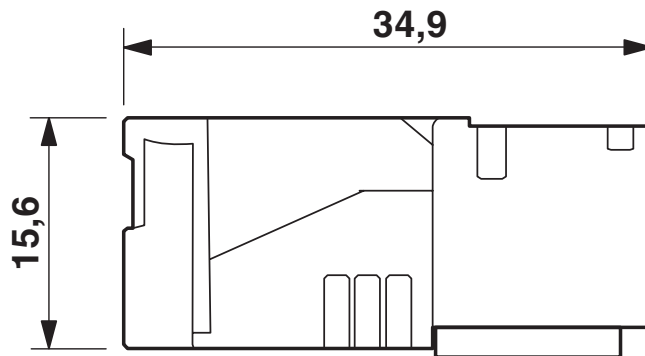
RJ45 patch panel



Dimensional drawing



RJ45 socket insert, Freenet system



CUC-PP-D1PGY/R4IDC8 - DIN rail adapter



1419024

<https://www.phoenixcontact.com/gb/products/1419024>

Classifications

UNSPSC

UNSPSC 21.0	26121604
-------------	----------

CUC-PP-D1PGY/R4IDC8 - DIN rail adapter



1419024

<https://www.phoenixcontact.com/gb/products/1419024>

Environmental product compliance

EU RoHS

Fulfills EU RoHS substance requirements	Yes, No exemptions
---	--------------------

China RoHS

Environment friendly use period (EFUP)	EFUP-E
	No hazardous substances above the limits

EU REACH SVHC

REACH candidate substance (CAS No.)	No substance above 0.1 wt%
-------------------------------------	----------------------------

Phoenix Contact 2025 © - all rights reserved
<https://www.phoenixcontact.com>

PHOENIX CONTACT Ltd
Halesfield 13, Telford
Shropshire, TF7 4PG
01952 681700
info@phoenixcontact.co.uk