

# PSBJ-URTK/S GN - Test plug strip



0311760

<https://www.phoenixcontact.com/gb/products/0311760>

Please be informed that the data shown in this PDF document is generated from our online catalog. Please find the complete data in the user documentation. Our general terms of use for downloads are valid.

Test plug strip, number of positions: 1, color: green



## Your advantages

- The test socket PSBJ... is used in place of the normal bridge screw and ensures the voltage pick-off on a bridged group of terminals
- The test sockets are tailored to the special applications encountered in the power supply industry

## Commercial data

Item number	0311760
Packing unit	10 pc
Minimum order quantity	10 pc
Sales key	BE1Z3X
Product key	BE1Z3X
GTIN	4017918001636
Weight per piece (including packing)	3.58 g
Weight per piece (excluding packing)	3.47 g
Customs tariff number	85366990
Country of origin	PL

# PSBJ-URTK/S GN - Test plug strip

0311760

<https://www.phoenixcontact.com/gb/products/0311760>

## Technical data

### Product properties

Product type	Test socket
Number of positions	1

### Connection data

Connection method	Screw connection
-------------------	------------------

### Dimensions

Dimensional drawing	
Width	5 mm
Height	5 mm
Depth on NS 35/7,5	15 mm
Pin diameter	4 mm

### Material specifications

Color	green (RAL 6021)
Material	Brass
Insulating material	PA
Contact material	Polyamide PA non-reinforced, silver-plated brass
Static insulating material application in cold	-60 °C
Relative insulation material temperature index (Elec., UL 746 B)	130 °C
Fire protection for rail vehicles (DIN EN 45545-2) R22	HL 1 - HL 3
Fire protection for rail vehicles (DIN EN 45545-2) R23	HL 1 - HL 3
Fire protection for rail vehicles (DIN EN 45545-2) R24	HL 1 - HL 3
Fire protection for rail vehicles (DIN EN 45545-2) R26	HL 1 - HL 3
Calorimetric heat release NFPA 130 (ASTM E 1354)	27,5 MJ/kg
Surface flammability NFPA 130 (ASTM E 162)	passed
Specific optical density of smoke NFPA 130 (ASTM E 662)	passed
Smoke gas toxicity NFPA 130 (SMP 800C)	passed

### Environmental and real-life conditions

#### Ambient conditions

Ambient temperature (operation)	-60 °C ... 105 °C (max. short-term operating temperature RTI Elec.)
Ambient temperature (storage/transport)	-25 °C ... 60 °C (for a short time, not exceeding 24 h, -60 °C to +70 °C)
Ambient temperature (assembly)	-5 °C ... 70 °C
Ambient temperature (actuation)	-5 °C ... 70 °C
Permissible humidity (storage/transport)	30 % ... 70 %

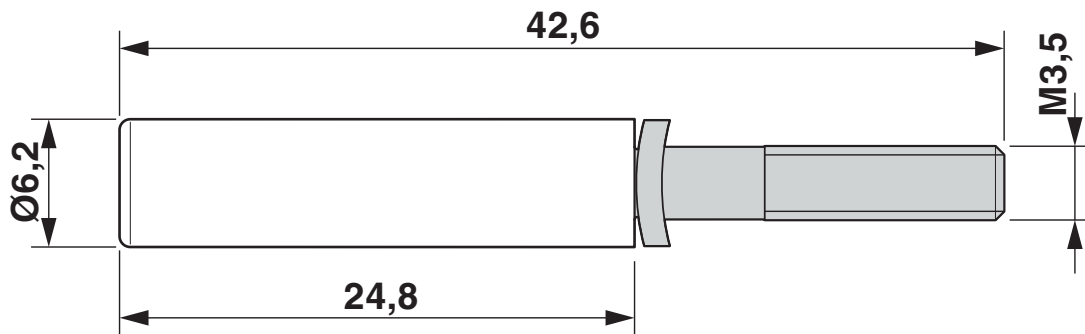
# PSBJ-URTK/S GN - Test plug strip

0311760

<https://www.phoenixcontact.com/gb/products/0311760>

## Drawings

Dimensional drawing



# PSBJ-URTK/S GN - Test plug strip



0311760

<https://www.phoenixcontact.com/gb/products/0311760>

## Classifications

### ECLASS

ECLASS-13.0	27250304
ECLASS-15.0	27250304

### ETIM

ETIM 9.0	EC002555
----------	----------

### UNSPSC

UNSPSC 21.0	20122000
-------------	----------

# PSBJ-URTK/S GN - Test plug strip



0311760

<https://www.phoenixcontact.com/gb/products/0311760>

## Environmental product compliance

### EU RoHS

Fulfills EU RoHS substance requirements	Yes, No exemptions
---	--------------------

### China RoHS

Environment friendly use period (EFUP)	EFUP-E
	No hazardous substances above the limits

### EU REACH SVHC

REACH candidate substance (CAS No.)	No substance above 0.1 wt%
-------------------------------------	----------------------------

Phoenix Contact 2025 © - all rights reserved

<https://www.phoenixcontact.com>

PHOENIX CONTACT Ltd  
Halesfield 13, Telford  
Shropshire, TF7 4PG  
01952 681700  
[info@phoenixcontact.co.uk](mailto:info@phoenixcontact.co.uk)