

SD-BR/SC/LA/GY - Socket

2963886

<https://www.phoenixcontact.com/gb/products/2963886>



Please be informed that the data shown in this PDF document is generated from our online catalog. Please find the complete data in the user documentation. Our general terms of use for downloads are valid.

Socket, color: gray



Commercial data

Item number	2963886
Packing unit	10 pc
Minimum order quantity	1 pc
Product key	BE7614
GTIN	4017918831974
Weight per piece (including packing)	76.01 g
Weight per piece (excluding packing)	75.49 g
Country of origin	GR

Technical data

Product properties

Product type	Socket
For country-specific use in	BR

Signaling

Status display	Glow lamp or LED with preresistor
----------------	-----------------------------------

Dimensions

Width	45 mm
Height	75 mm
Depth	70.5 mm

Material specifications

Color	gray
Insulating material	PA
Contact material	CuZn38

Environmental and real-life conditions

Ambient conditions

Degree of protection	IP20
Ambient temperature (operation)	-20 °C ... 60 °C
Ambient temperature (storage/transport)	-20 °C ... 60 °C

SD-BR/SC/LA/GY - Socket

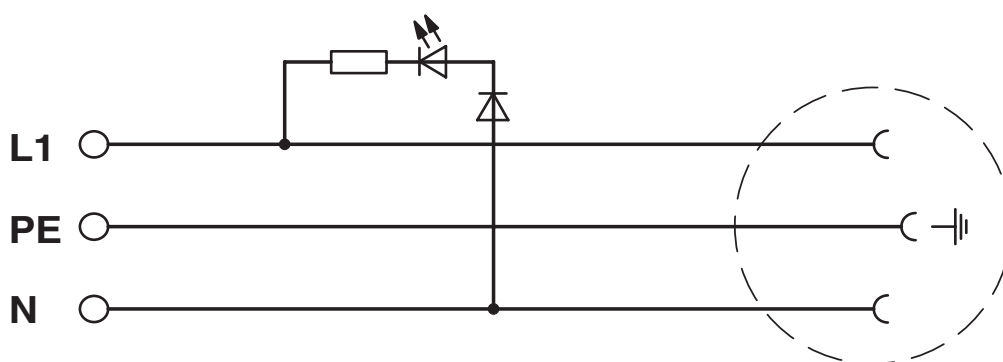
2963886

<https://www.phoenixcontact.com/gb/products/2963886>



Drawings

Circuit diagram



Environmental product compliance

China RoHS

Environment friendly use period (EFUP)	EFUP-50
	An article-related China RoHS declaration table can be found in the download area for the respective article under "Manufacturer declaration". For all articles with EFUP-E, no China RoHS declaration table issued and required.

EU REACH SVHC

REACH candidate substance (CAS No.)	No substance above 0.1 wt%
-------------------------------------	----------------------------

Phoenix Contact 2025 © - all rights reserved

<https://www.phoenixcontact.com>

PHOENIX CONTACT Ltd
Halesfield 13, Telford
Shropshire, TF7 4PG
01952 681700
info@phoenixcontact.co.uk