

ILB BT ADIO MUX-OMNI - Wireless set



2884208

<https://www.phoenixcontact.com/gb/products/2884208>

Please be informed that the data shown in this PDF document is generated from our online catalog. Please find the complete data in the user documentation. Our general terms of use for downloads are valid.



Wireless MUX set, two modules with 16 digital inputs and outputs and 2 analog inputs and outputs (0 ... 20 mA, 0 ... 10 V) each, RSMA (female) antenna connection, incl. omnidirectional antennas with 1.5 m cable

Product description

The Wireless MUX transmits 16 digital and 2 analog signals bidirectionally. The Wireless MUX is supplied ready to use: Unpack – connect – switch on – and you have a working wireless path.

Your advantages

- Wireless diagnostics by means of bar graph
- Range of 50 m ... 100 m in industrial halls with omnidirectional antennas and up to 400 m outdoors with directional antennas
- Quick connection establishment and signal transmission
- Current Bluetooth 4.0 technology
- Plug and play - startup without configuration
- It couldn't be simpler: unpack – connect – switch on

Commercial data

Item number	2884208
Packing unit	1 pc
Minimum order quantity	1 pc
Sales key	DNC662
Product key	DNC662
GTIN	4046356049597
Weight per piece (including packing)	914 g
Weight per piece (excluding packing)	885 g
Customs tariff number	85176200
Country of origin	DE

ILB BT ADIO MUX-OMNI - Wireless set

2884208

<https://www.phoenixcontact.com/gb/products/2884208>



Set consists of

ILB BT ADIO MUX - Wireless set

2702875

<https://www.phoenixcontact.com/gb/products/2702875>



Wireless MUX set, two modules with 16 digital inputs and outputs and 2 analog inputs and outputs (0 ... 20 mA, 0 ... 10 V) each, RSMA (female) antenna connection, without antennas

RAD-ISM-2400-ANT-OMNI-2-1-RSMA - Antenna

2701362

<https://www.phoenixcontact.com/gb/products/2701362>



Omnidirectional antenna for panel mounting, frequency band: 2.4 GHz, gain: 2 dBi, degree of protection: IP65, connection: RSMA (male), incl. 1.5 m connecting cable, mounting bracket, and mounting material

Technical data

Notes

Note on application

Note on application	Only for industrial use
---------------------	-------------------------

Utilization restriction

EMC note	EMC: class A product, see manufacturer's declaration in the download area
----------	---

Product properties

Product type	Wireless module
Product family	Inline
Application	I/O
Type	Stand-alone
MTTF	1458 Years (SN 29500 standard, temperature 25°C, operating cycle 21%)
	557 Years (SN 29500 standard, temperature 40°C, operating cycle 34.25%)
	219 Years (SN 29500 standard, temperature 40°C, operating cycle 100%)
MTBF	465 Years (Telcordia standard, 25°C temperature, 21% operating cycle (5 days a week, 8 hours a day))
	140 Years (Telcordia standard, 40°C temperature, 34.25% operating cycle (5 days a week, 12 hours a day))
Diagnostics messages	Short-circuit or overload of the digital outputs LED
	Wireless connection FS LED
	Logic and actuator voltage LED
	Link quality of the wireless connection 4 LEDs

Insulation characteristics

Overvoltage category	II
Pollution degree	2

Times

Switch-on time	≤ 3 s (Until the wireless connection is established)
Delay time	≤ 10 ms (Latency, typical)
	≤ 800 ms (Failsafe function for wireless interruption)

Electrical properties

Maximum power dissipation for nominal condition	2.4 W
---	-------

Supply: Module electronics

Connection method	Inline connector
Supply voltage	24 V DC
Supply voltage range	19.2 V DC ... 30.5 V DC (via power connector)

Current consumption	60 mA (Communications power at 24 V DC, 25 °C)
	25 mA (Actuator supply, +load current Digital OUT (8 A))
Protective circuit	Polarity protection, surge protection

Input data

Analog:

Input name	Analog inputs
Description of the input	Single ended
Number of inputs	2
Current input signal	0 mA ... 20 mA
Input resistance current input	50 Ω
Voltage input signal	0 V ... 10 V
Input resistance of voltage input	130 kΩ
Measured value resolution	12 bits
Protective circuit	Surge voltage; Suppressor diodes in the analog inputs, current limitation via internal protective circuit

Digital:

Input name	Digital inputs
Number of inputs	16
Connection method	Spring-cage connection
Connection technology	1-conductor
Input voltage range "0" signal	< 5 V
Input voltage range "1" signal	> 15 V
Nominal input voltage U_{IN}	24 V DC
Typical input current per channel	2.3 mA
Input frequency	≤ 10 Hz

Output data

Analog:

Output name	Analog outputs
Number of outputs	2
Protective circuit	Transient protection
DAC resolution	12 bit
Current output signal	0 mA ... 20 mA
Load/output load current output	≤ 500 Ω
Voltage output signal	0 V ... 10 V
Load/output load voltage output	≥ 2 kΩ

Digital:

Output name	Digital outputs
Connection method	Spring-cage connection
Connection technology	1-conductor
Number of outputs	16

Protective circuit	Short-circuit protection, overload protection, protected against reverse voltages
Output current	8 A (Total)
Maximum output current per channel	500 mA
Nominal output voltage	24 V DC
Output current when switched off	≤ 10 µA (When not loaded, a voltage can be measured even at an output that is not set.)
Nominal load, inductive	12 VA (1.2 H, 50 Ω)
Nominal load, lamp	12 W
Nominal load, ohmic	12 W (48 Ω)
Reverse voltage resistance to short pulses	Reverse voltage proof
Behavior with overload	Auto restart
Behavior with inductive overload	Output can be destroyed
Behavior at voltage switch-off	The output follows the power supply without delay
Overcurrent shut-down	≥ 0.7 A

Connection data

Conductor cross-section, rigid	0.2 mm² ... 1.5 mm²
Conductor cross-section, flexible	0.2 mm² ... 1.5 mm²
Conductor cross-section, flexible [AWG]	... 16
Stripping length	8 mm

Interfaces

Functions

Wireless licenses	Europe, USA, Canada, additional countries in the e-shop
-------------------	---

Wireless

Modulation type	GFSK (Gaussian Frequency Shift Keying)
Antenna connection method	RSMA (female)
No. of channels	40
Frequency range	2.402 GHz ... 2.48 GHz (ISM bandwidth)
Frequency band	2.4 GHz
Wireless standard	Bluetooth
Transmission power	5 dBm
Receiver sensitivity	-95.00 dBm

Signaling

Diagnostic messages

Diagnostics	Short-circuit or overload of the digital outputs
Message	LED

Diagnostic messages

Diagnostics	Wireless connection
Message	FS LED

ILB BT ADIO MUX-OMNI - Wireless set



2884208

<https://www.phoenixcontact.com/gb/products/2884208>

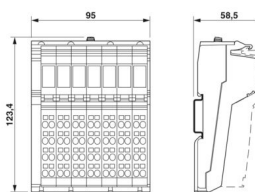
Diagnostic messages

Diagnostics	Logic and actuator voltage
Message	LED

Diagnostic messages

Diagnostics	Link quality of the wireless connection
Message	4 LEDs

Dimensions

Dimensional drawing	
Width	95 mm
Height	123.4 mm
Depth	57 mm
Note on dimensions	with connectors

Material specifications

Color (Housing)	green (RAL 6021)
Material (Housing)	PA 6.6-FR

Environmental and real-life conditions

Ambient conditions

Ambient temperature (operation)	-25 °C ... 60 °C
Degree of protection	IP20
Air pressure (operation)	795 hPa ... 1080 hPa (up to 2000 m above sea level)
Air pressure (storage/transport)	66 kPa ... 108 kPa (up to 3500 m above sea level)
Ambient temperature (storage/transport)	-25 °C ... 85 °C
Permissible humidity (operation)	95 % (non-condensing)
Permissible humidity (storage/transport)	95 %

Approvals

CE

Certificate	CE-compliant
-------------	--------------

UL, USA/Canada

Identification	508 Listed
----------------	------------

Wireless approval, Europe

Note	RED 2014/53/EU
------	----------------

Wireless approval USA, FCC

ILB BT ADIO MUX-OMNI - Wireless set



2884208

<https://www.phoenixcontact.com/gb/products/2884208>

Identification	YG3ADIOMUX
Note	FCC directive, part 15.247

Wireless approval India, WPC

Certificate	NR-ETA/5957
-------------	-------------

Wireless approval Japan, MIC

Identification	Japan MIC (RF) ID:202-LSF002
----------------	------------------------------

Wireless approval Canada, IC

Certificate	4720B-ADIOMUX
Note	ISC directive RSS 210

Wireless approval Mexico, IFT

Certificate	IFT RCPPHIL19-2130
-------------	--------------------

Wireless approval South Africa, ICASA

Certificate	TA-2006/032
-------------	-------------

KC approval for South Korea

Certificate	MSIP-CRI-PCK-2884208
-------------	----------------------

EMC data

Electromagnetic compatibility	Conformance with EMC Directive 2014/30/EU
-------------------------------	---

Electrostatic discharge

Standards/regulations	EN 61000-4-2
-----------------------	--------------

Electrostatic discharge

Contact discharge	± 6 kV (Test Level 3)
Discharge in air	± 8 kV (Test Level 3)
Indirect discharge	± 6 kV
Comments	Criterion B

Electromagnetic HF field

Standards/regulations	EN 61000-4-3
-----------------------	--------------

Electromagnetic HF field

Frequency range	26 MHz ... 3 GHz (Test Level 3)
Field intensity	10 V/m
Comments	Criterion A

Fast transients (burst)

Standards/regulations	EN 61000-4-4
-----------------------	--------------

Fast transients (burst)

Input	± 2 kV (Test Level 3)
Signal	± 2 kV (Signal line)
Comments	Criterion B

ILB BT ADIO MUX-OMNI - Wireless set



2884208

<https://www.phoenixcontact.com/gb/products/2884208>

Surge current load (surge)

Standards/regulations	EN 61000-4-5
-----------------------	--------------

Surge current load (surge)

Input	± 0.5 kV (symmetrical)
	± 1 kV (asymmetrical)
Signal	± 1 kV (Signal line, asymmetrical)
Comments	Criterion B

Conducted interference

Standards/regulations	EN 61000-4-6
-----------------------	--------------

Conducted interference

Frequency range	0.15 MHz ... 80 MHz
Comments	Criterion A
Voltage	10 V

Emitted interference

Emitted radio interference in acc. with EN 55011	EN 55016-2-3 Class A industrial applications
--	--

Criteria

Criterion A	Normal operating behavior within the specified limits.
Criterion B	Temporary impairment to operational behavior that is corrected by the device itself.

Standards and regulations

Protection class	III
Free from substances that could impair the application of coating	VDMA 24364:2018-05
Standard designation	RED directive 2014/53/EU
Standards/specifications	EN 300328
	EN 61000-6-4
	EN 61000-6-2
	EN 62311
	EN 60950

Mounting

Mounting type	DIN rail mounting
---------------	-------------------

ILB BT ADIO MUX-OMNI - Wireless set

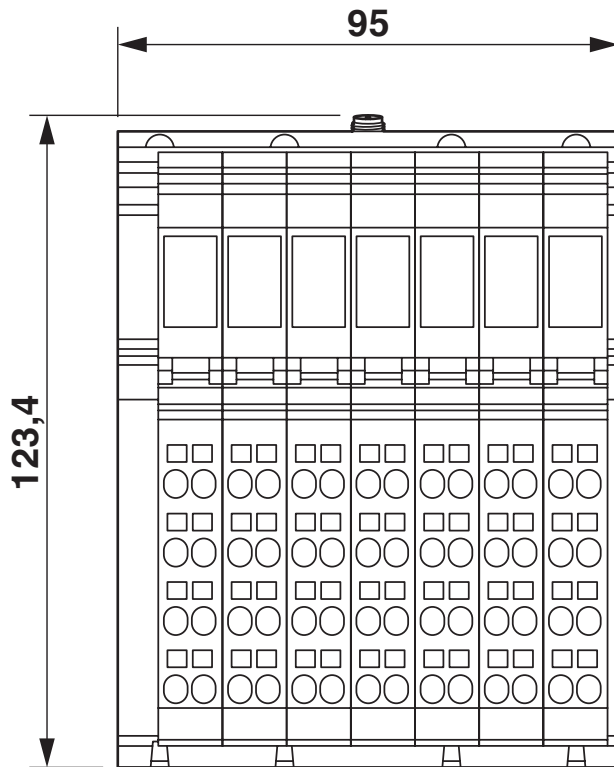
2884208

<https://www.phoenixcontact.com/gb/products/2884208>

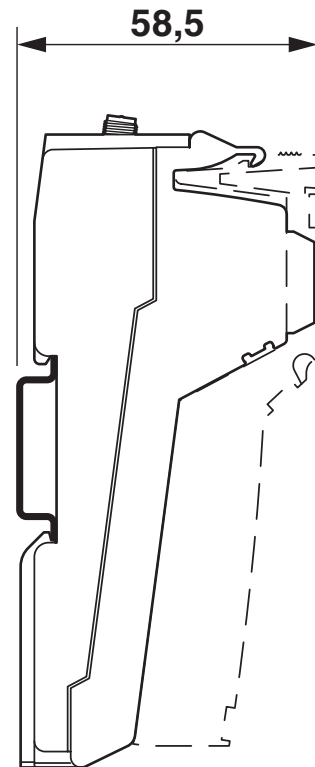


Drawings

Dimensional drawing



Housing dimensions



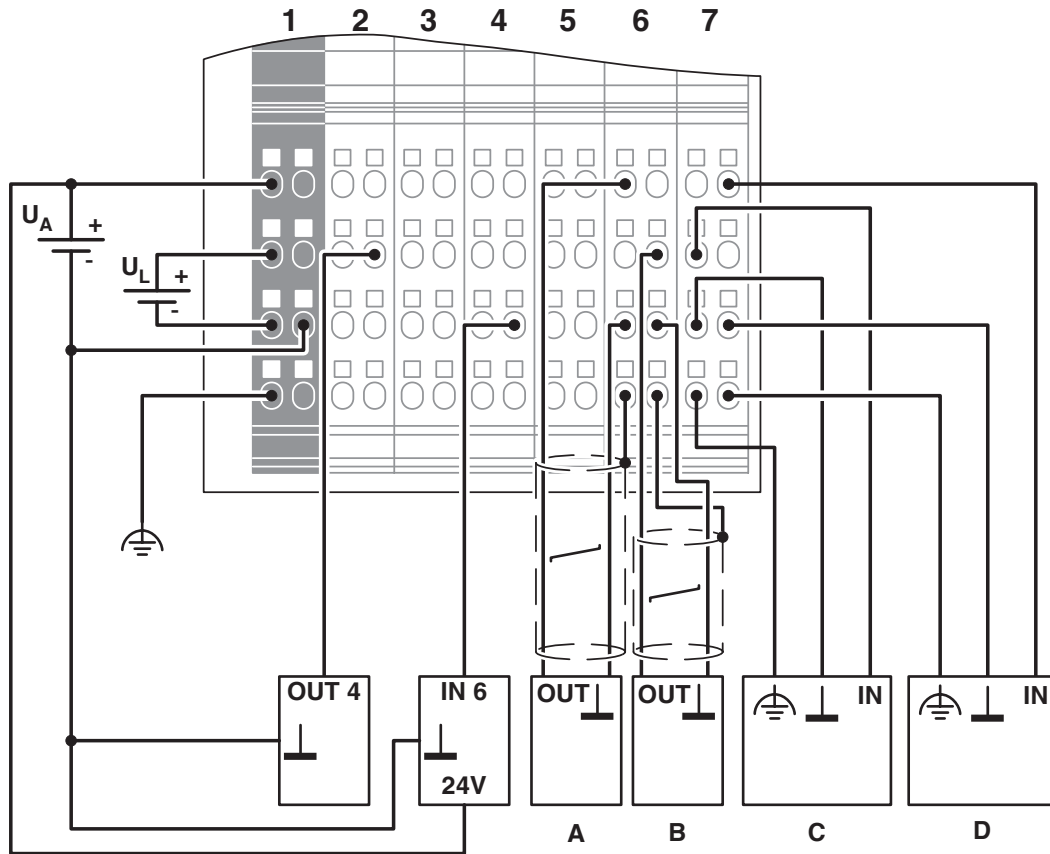
ILB BT ADIO MUX-OMNI - Wireless set



2884208

<https://www.phoenixcontact.com/gb/products/2884208>

Connection diagram



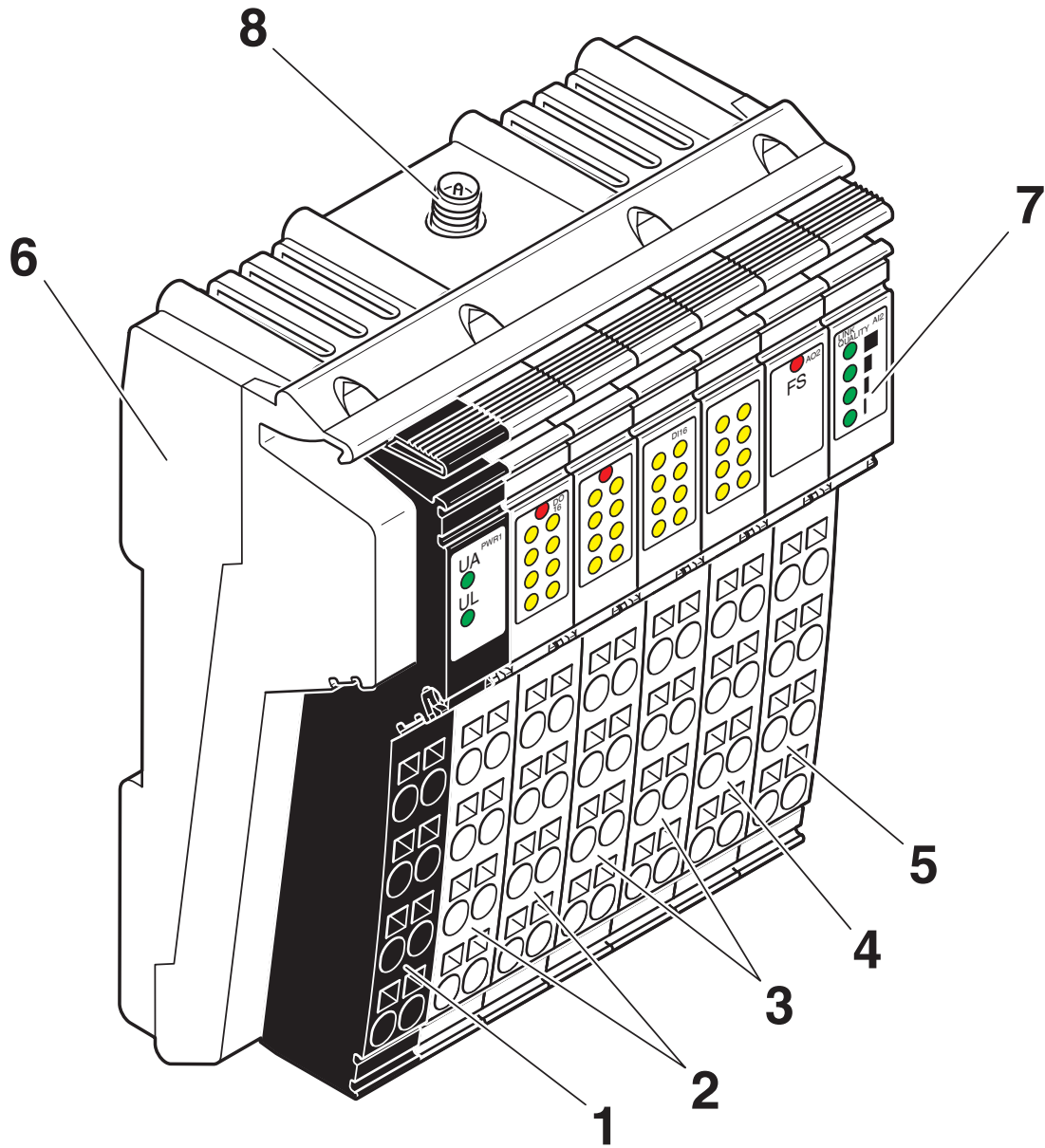
Device connections

ILB BT ADIO MUX-OMNI - Wireless set

2884208

<https://www.phoenixcontact.com/gb/products/2884208>

Schematic diagram



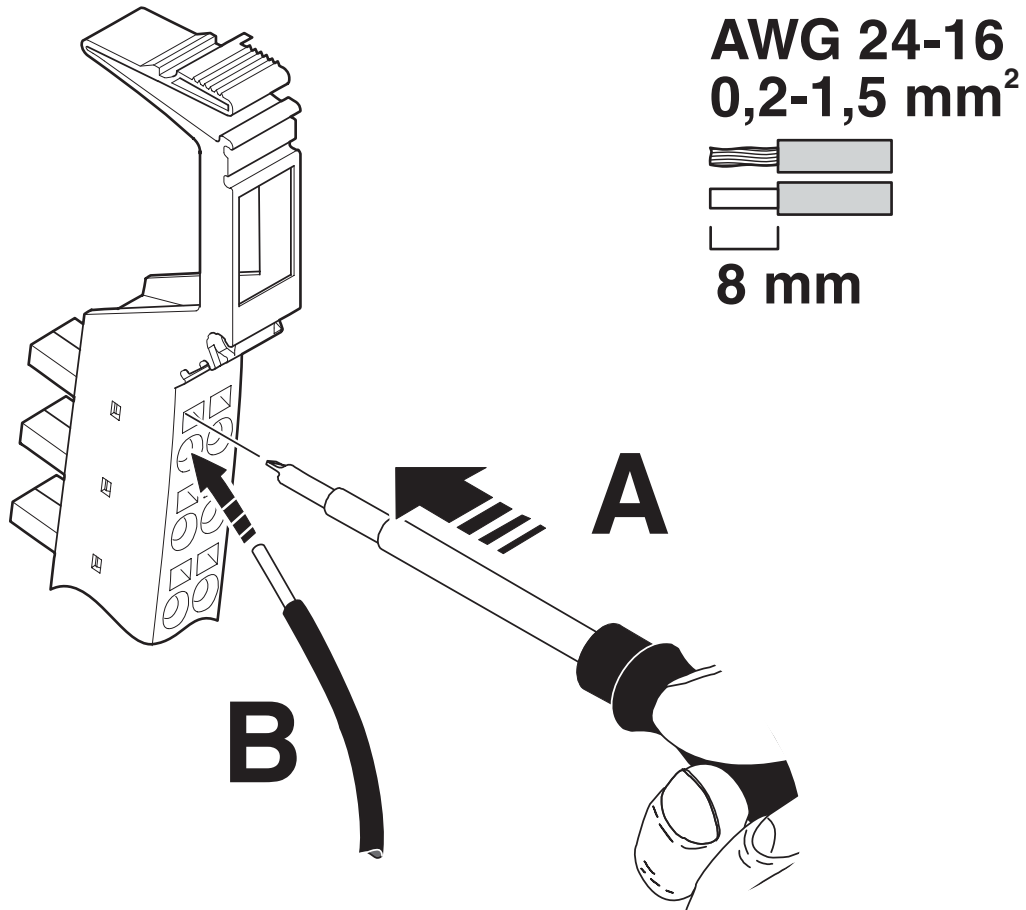
Function elements

ILB BT ADIO MUX-OMNI - Wireless set

2884208

<https://www.phoenixcontact.com/gb/products/2884208>

Schematic diagram



Connecting cables

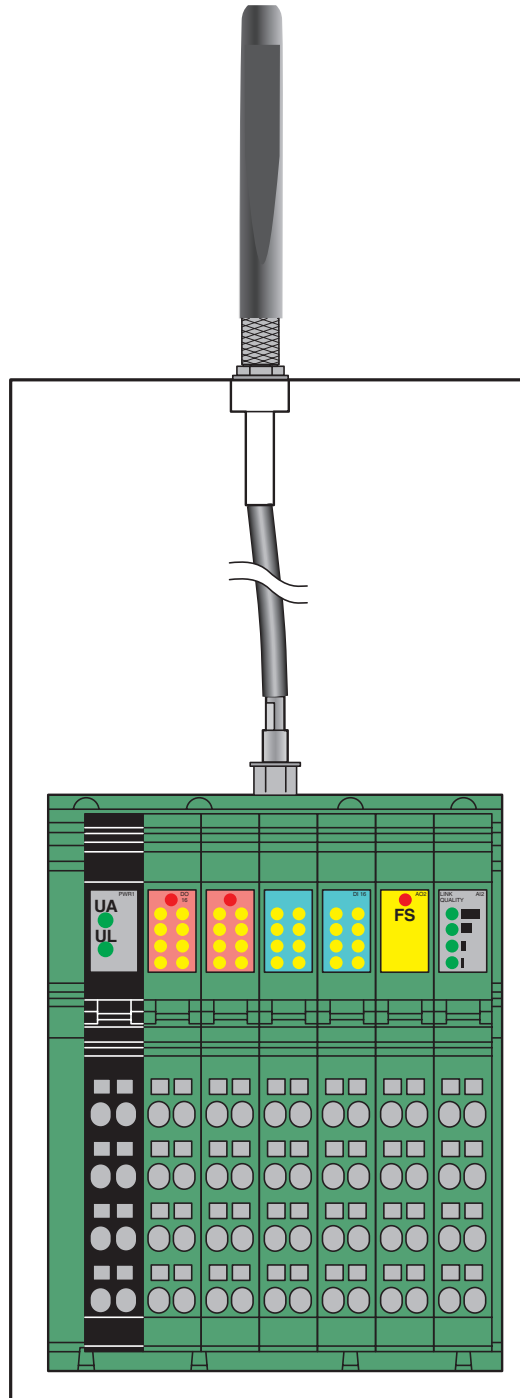
ILB BT ADIO MUX-OMNI - Wireless set

2884208

<https://www.phoenixcontact.com/gb/products/2884208>

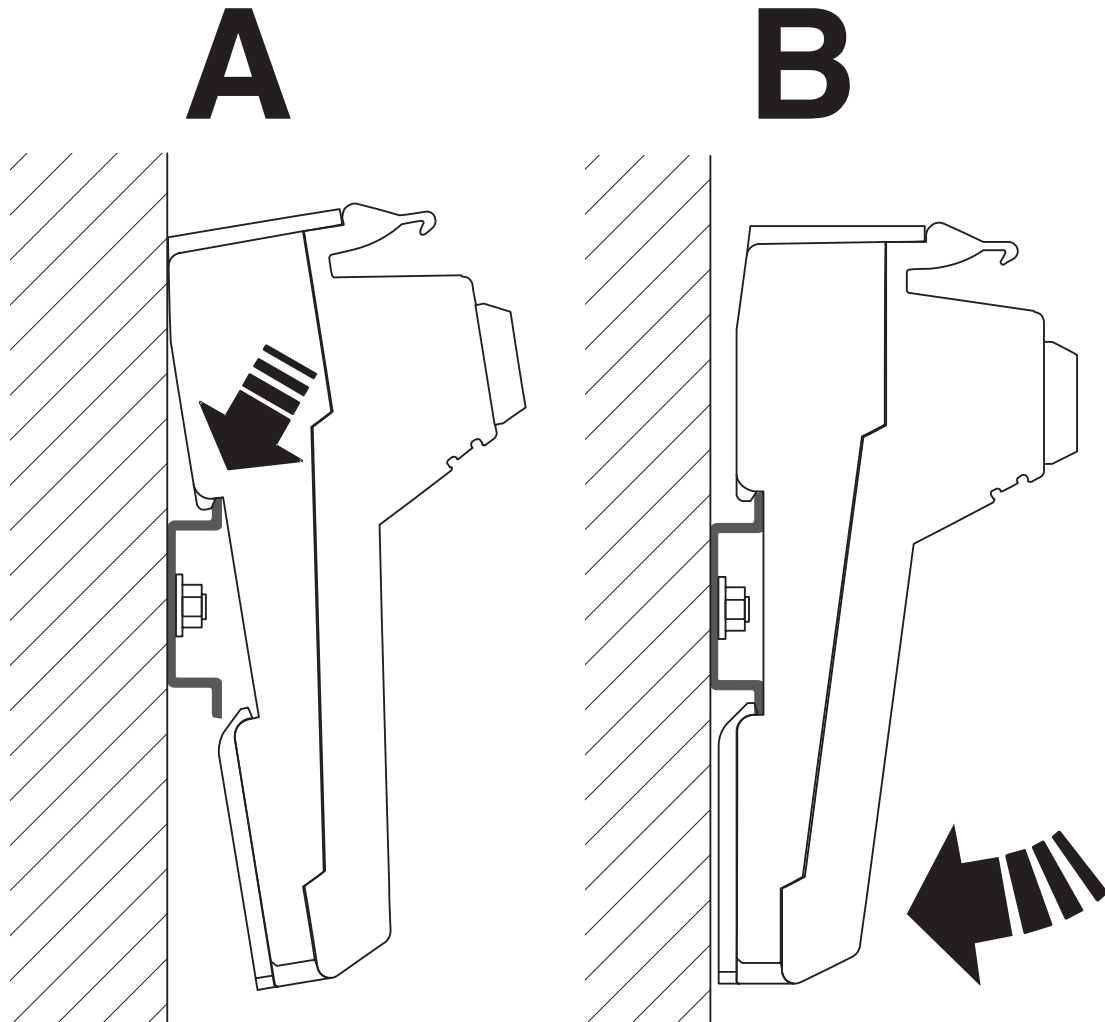


Schematic diagram



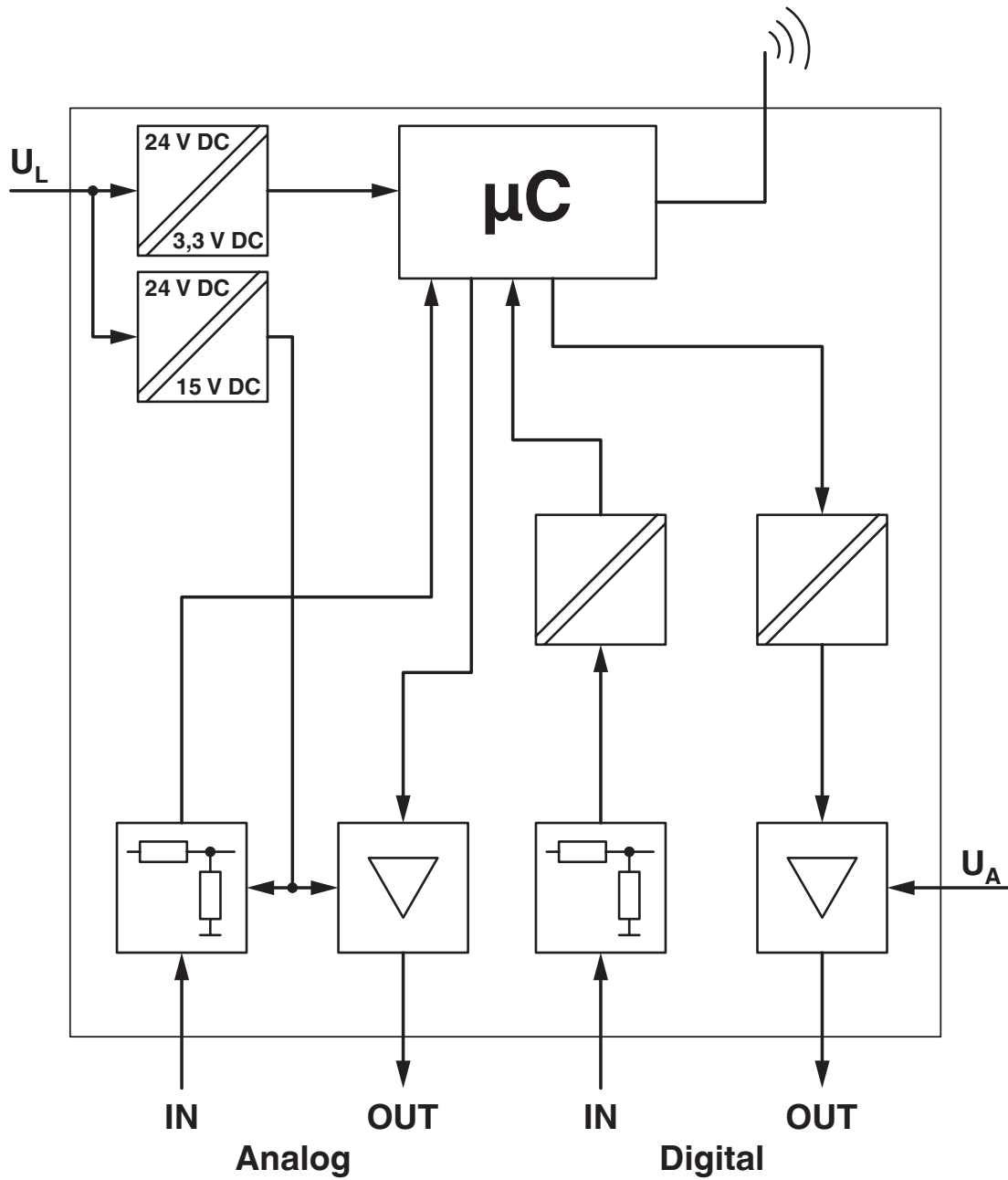
Installation example

Schematic diagram



Mounting

Block diagram



Block diagram

ILB BT ADIO MUX-OMNI - Wireless set



2884208

<https://www.phoenixcontact.com/gb/products/2884208>

Approvals

To download certificates, visit the product detail page: <https://www.phoenixcontact.com/gb/products/2884208>

 **KC**
Approval ID: MSIP-CRI-PCK-2884208

FCC
Approval ID: YG3ADIOMUX

Industry Canada
Approval ID: 4720B-ADIOMUX

 **MIC**
Approval ID: 202-LSF002

ILB BT ADIO MUX-OMNI - Wireless set



2884208

<https://www.phoenixcontact.com/gb/products/2884208>

Classifications

ECLASS

ECLASS-13.0	27242602
ECLASS-15.0	27242602

ETIM

ETIM 9.0	EC001597
----------	----------

UNSPSC

UNSPSC 21.0	32151600
-------------	----------

2884208

<https://www.phoenixcontact.com/gb/products/2884208>

Environmental product compliance

EU RoHS

Fulfills EU RoHS substance requirements	Yes
Exemption	6(c), 7(a), 7(c)-I

China RoHS

Environment friendly use period (EFUP)	EFUP-50
	An article-related China RoHS declaration table can be found in the download area for the respective article under "Manufacturer declaration". For all articles with EFUP-E, no China RoHS declaration table issued and required.

EU REACH SVHC

REACH candidate substance (CAS No.)	Lead(CAS: 7439-92-1)
SCIP	82710383-ad84-4f18-bc08-99d7dfd2aa2d

EF3.0 Climate Change

CO2e kg	22.86 kg CO2e
---------	---------------

Phoenix Contact 2025 © - all rights reserved
<https://www.phoenixcontact.com>

PHOENIX CONTACT Ltd
Halesfield 13, Telford
Shropshire, TF7 4PG
01952 681700
info@phoenixcontact.co.uk