

# Product datasheet

Specifications



## Floor standing enclosure, PrismaSeT G, W 600mm, H 1880mm (33M), IP30

LVS08204

**EAN Code: 3606481876362**

### Main

<b>Range</b>	PrismaSeT
<b>Range of product</b>	PrismaSeT G
<b>Product or component type</b>	Enclosure
<b>Device application</b>	Low voltage electrical distribution
<b>Enclosure type</b>	Functional enclosure delivered in kit form Metal enclosure Indoor enclosure
<b>Enclosure/cubicle description</b>	Floor-standing enclosure - width 600 mm
<b>Kit composition</b>	uprights rear plate 2 side panel top plate bottom plate plinth
<b>Additional information</b>	Can be combined side by side
<b>type of front plate</b>	Without to be ordered separately
<b>Number of vertical modules [50 mm]</b>	33
<b>Number of 18 mm modules per row</b>	24
<b>Standards</b>	IEC 61439-1 IEC 61439-2 IEC 62208
<b>Product certifications</b>	ASTA EAC

### Complementary

<b>[Ui] rated insulation voltage</b>	1000 V on main rear busbars conforming to IEC 61439-2
<b>Network frequency</b>	50/60 Hz
<b>[In] rated current</b>	630 A at 40 °C conforming to IEC 61439-2
<b>Short-circuit current</b>	50 kA
<b>[Icw] rated short-time withstand current</b>	25 kA 1 s conforming to IEC 61439-1
<b>[Ipk] rated peak withstand current</b>	53 kA conforming to IEC 61439-1
<b>Electrical insulation class</b>	Class I
<b>Material</b>	Treated sheet steel
<b>Protective treatment</b>	Electrophoresis treatment and hot-polymerised polyester epoxy powder
<b>Surface finish</b>	Textured Matt

<b>Colour</b>	White (RAL 9003)
<b>Width</b>	595 mm
<b>Height</b>	With plinth: 1880 mm
<b>Depth</b>	205 mm
<b>Net weight</b>	27.3 kg

## Environment

<b>IP degree of protection</b>	IP30 with front plate IP40 with door IP41 with door and canopy IP43 with door, canopy and IP43 gasket
<b>IK degree of protection</b>	IK07 with front plate IK08 with transparent door IK10 with plain door
<b>Mechanical robustness</b>	Seismic tests - 2.5G conforming to IEC 60068-2-57

## Packing Units

<b>Unit Type of Package 1</b>	PCE
<b>Number of Units in Package 1</b>	1
<b>Package 1 Height</b>	10.500 cm
<b>Package 1 Width</b>	66.000 cm
<b>Package 1 Length</b>	190.000 cm
<b>Package 1 Weight</b>	29.838 kg
<b>Unit Type of Package 2</b>	PAL
<b>Number of Units in Package 2</b>	8
<b>Package 2 Height</b>	97.000 cm
<b>Package 2 Width</b>	120.000 cm
<b>Package 2 Length</b>	202.000 cm
<b>Package 2 Weight</b>	263.704 kg

## Logistical informations

<b>Country of origin</b>	FR
--------------------------	----

## Contractual warranty

<b>Warranty</b>	18 months
-----------------	-----------

## Environmental Data

Schneider Electric aims to achieve Net Zero status by 2050 through supply chain partnerships, lower impact materials, and circularity via our ongoing “Use Better, Use Longer, Use Again” campaign to extend product lifetimes and recyclability.

[Environmental Data explained >](#)

[How we assess product sustainability >](#)

### Environmental footprint

[Environmental Disclosure](#)

[Product Environmental Profile](#)

## Use Better

### Materials and Substances

Packaging made with recycled cardboard

Yes

Packaging without single use plastic

Yes

[EU RoHS Directive](#)

Compliant

REACH Regulation

[REACH Declaration](#)

Halogen-free status

Halogen free plastic parts product

PVC free

Yes

Silicone-free

Yes

## Use Again

### Repack and remanufacture

End of life manual availability

No need of specific recycling operations

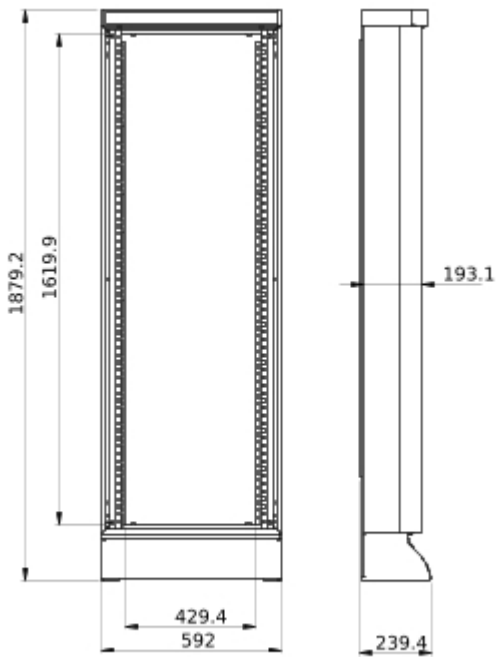
Take-back

No

Technical Illustration

Dimensions

---



- All dimensions are approximate and are in  
- Also see technical documentation.