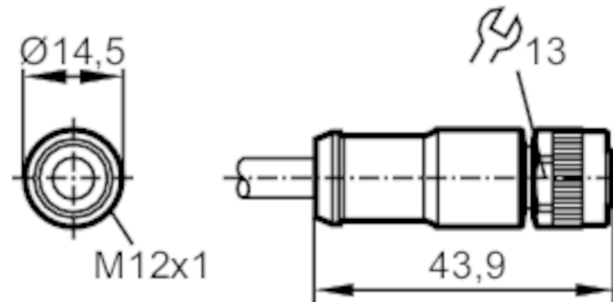


E12638



Connecting cable with socket

ADOGH040MSS0005C04



Application

Special feature	Free from silicone; Halogen-free; Gold-plated contacts; Screened cable; Drag chain suitability
Application	Industrial applications / factory automation
Free from silicone	yes

Electrical data

Operating voltage	[V]	< 50 AC / < 60 DC
Protection class		III
Max. current load total	[A]	4

Operating conditions

Ambient temperature	[°C]	-25...85
Note on ambient temperature		21 days: -25...120 °C
Protection		IP 67

Mechanical data

Weight	[g]	269.7
Dimensions	[mm]	28 x 15 x 38
Moulded-body material		TPU
Material nut		diecast zinc
Drag chain suitability		yes
Drag chain suitability	bending radius	min. 10 x cable diameter

Remarks

Pack quantity		1 pcs.
---------------	--	--------

E12638



Connecting cable with socket

ADOGH040MSS0005C04

Electrical connection

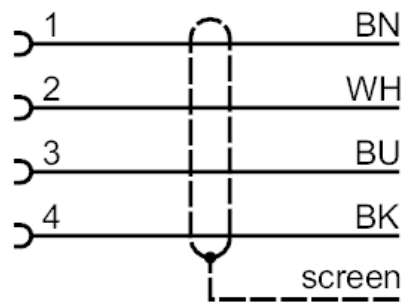
Cable: 5 m, PUR, Halogen-free, black, \varnothing 5 mm, shielded; 4 x 0.34 mm² (42 x \varnothing 0.1 mm)

Electrical connection - socket

Connector: 1 x M12, straight; coding: A; Moulded body: TPU; Locking: diecast zinc; Contacts: gold-plated; Tightening torque: 0.7...0.9 Nm; Shielded connection cable: screen not connected



Connection



Core colours :
BK = black
BN = brown
BU = blue
WH = white