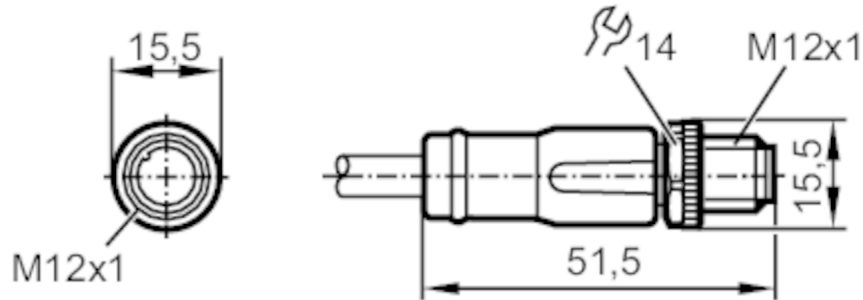


# EVCB47



## Connecting cable with plug

ASTGH050MSS0015K05



Application	
Special feature	Free from silicone; Halogen-free; Gold-plated contacts; Screened cable; Drag chain suitability
Application	Industrial applications / factory automation; Use in machine tools, coolants and lubricants
Free from silicone	yes
Electrical data	
Operating voltage [V]	< 30 AC / < 36 DC
Protection class	III
Max. current load total [A]	4
Operating conditions	
Ambient temperature [°C]	-25...90
Ambient temperature (moving) [°C]	-25...90
Storage temperature [°C]	-25...55
Storage humidity [%]	10...100
Other climatic conditions for storage according to stated class	1K22/ DIN 60721-3-1
Protection	IP 65; IP 67
Mechanical data	
Weight [g]	600.2
Dimensions [mm]	15.5 x 15.5 x 51.5
Moulded-body material	TPU
Material nut	brass, nickel-plated

# EVCB47



## Connecting cable with plug

ASTGH050MSS0015K05

Drag chain suitability	yes	
Drag chain suitability	bending radius for flexible use	min. 10 x cable diameter
	travel speed	max. 3.3 m/s for a horizontal travel length of 5 m and max. acceleration of 5 m/s <sup>2</sup>
	bending cycles	> 2 Mio.
	torsional strain	± 180 °/m

### Remarks

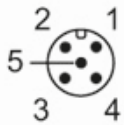
Pack quantity	1 pcs.
---------------	--------

### Electrical connection

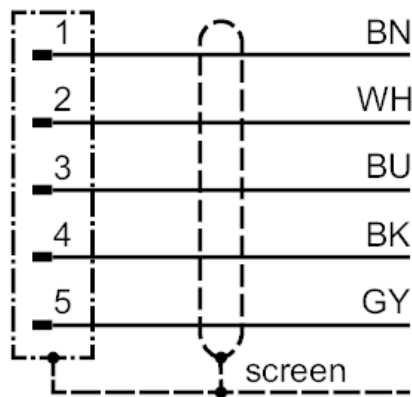
Cable: 15 m, PUR, Halogen-free, black, Ø 4.9 mm, shielded; 5 x 0.25 mm<sup>2</sup> (32 x Ø 0.1 mm )

### Electrical connection - plug

Connector: 1 x M12, straight; coding: A; Moulded body: TPU, orange; Locking: brass, nickel-plated; Contacts: gold-plated; Tightening torque: 0.6...1.5 Nm; Shielded connection cable: screen connected



### Connection



	Core colours :
BK =	black
BN =	brown
BU =	blue
GY =	grey
WH =	white

# EVCB47

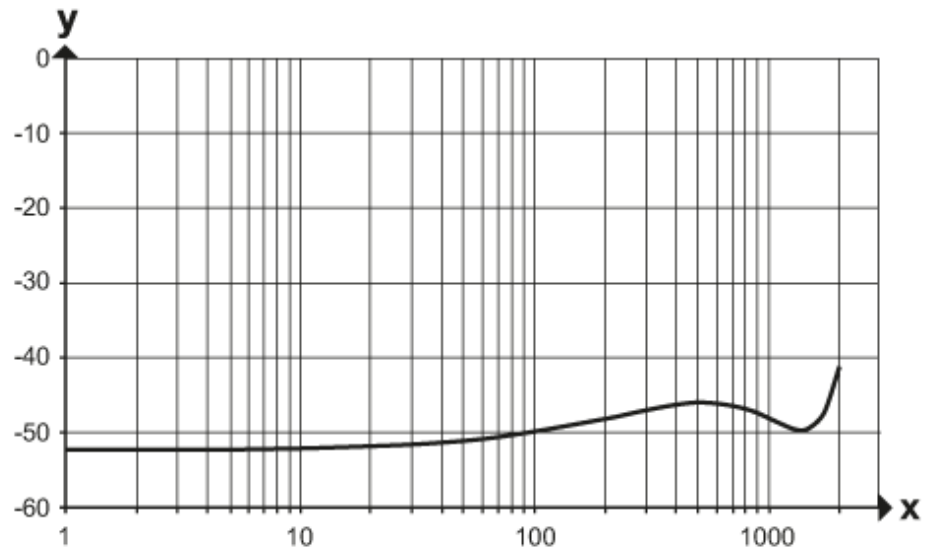


## Connecting cable with plug

ASTGH050MSS0015K05

### Diagrams and graphs

#### Shielding characteristics



x frequency (MHz)

y Shielding characteristics (dB)

according to DIN EN 60512-23-3