

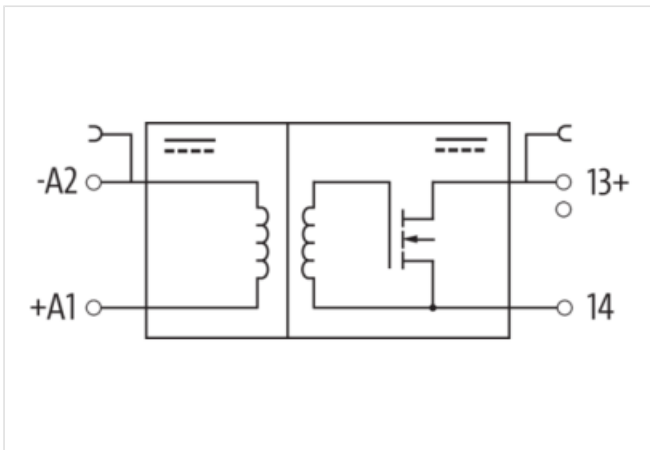
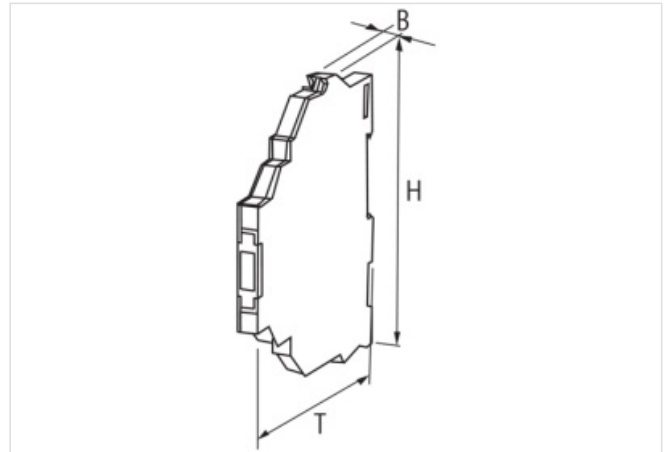
## INDUCTIVCOUPLER 24V 5A 30KHZ

Art.No.: 6652700  
 Weight: 0.021  
 Country of origin: CZ  
 Model designation: Induktivkoppler 24V 5A 30kHz

Inductive switching signal transmission  
 Wear-free switching  
 No operating voltage at output  
 Switching frequency: max. 30 kHz  
 Switching current up to 5 A  
 Spring clamp terminals

### [Link to Product](#)

#### Illustration



Product may differ from Image



#### Header

Material short text

Induktivkoppler 24V 5A 30kHz

#### Commercial data

URL Webshop <https://shop.murrelektronik.com/6652700>

GTIN	4048879329552
ECLASS-6.0	27210990
ECLASS-6.1	27379090
ECLASS-7.0	27379090
ECLASS-7.1	27379090
ECLASS-8.0	27379090
ECLASS-8.1	27379090
ECLASS-9.0	27379090
ECLASS-9.1	27379090
ECLASS-10.0.1	27379090
ECLASS-10.1	27379090
ECLASS-11.0	27379090
ECLASS-11.1	27379090
ECLASS-12.0	27379090
ECLASS-13.0	27379090
ECLASS-14.0	27379090
ETIM-5.0	EC001504
ETIM-6.0	EC001504
ETIM-7.0	EC001504
ETIM-8.0	EC001504
customs tariff number	85365080
EAN	4048879329552
Packaging unit	1

#### Electrical data | Input

Input voltage DC	24 V
Input voltage DC min.	15 V
Input voltage DC max.	30 V
Input voltage OFF DC min.	0 V
Input voltage OFF DC max.	5 V
Input current DC max.	32 mA

#### Electrical data | Output

Quiescent current OFF max.	0.025 mA
Switching current min.	1 mA
Switching current max.	5 A
Switching frequency ohmic max.	18.2 Hz
Switching frequency inductive max.	3,000 Hz

#### Diagnostics

Status indication LED	yellow
-----------------------	--------

#### Device protection | Electrical

Degree of protection (EN IEC 60529)	IP20
Rated surge voltage	1.5 kV

#### Device protection | Media

Flame resistance	flame retardant
------------------	-----------------

#### Mechanical data | Material data

Material housing	Plastic
Color housing	black

#### Mechanical data | Mounting data

Height	78 mm
Width	6.2 mm
Depth	69 mm

Mounting method	geschnappt
Suitable for mounting type	(EN 60715), mounting rail

**Environmental characteristics | Climatic**

Operating temperature min.	-20 °C
Operating temperature max.	60 °C
Storage temperature min.	-40 °C
Storage temperature max.	80 °C