

# FL COM SERVER RS485 - Interface converters



2708740

<https://www.phoenixcontact.com/gb/products/2708740>

Please be informed that the data shown in this PDF document is generated from our online catalog. Please find the complete data in the user documentation. Our general terms of use for downloads are valid.



**First generation** FL COM SERVER RS-485, for converting a serial RS-485 interface to Ethernet incl. CD-ROM with drivers, additional software, and user documentation (PDF)

## Commercial data

Item number	2708740
Packing unit	1 pc
Minimum order quantity	1 pc
Product key	DNC321
GTIN	4046356041492
Weight per piece (including packing)	191.1 g
Weight per piece (excluding packing)	155.1 g
Country of origin	DE

## Technical data

### Notes

#### Utilization restriction

EMC note	EMC: class A product, see manufacturer's declaration in the download area
----------	---

### Product properties

Product type	Interface converter
MTBF	666 Years (Telcordia standard, 25°C temperature, 21% operating cycle (5 days a week, 8 hours a day))
	179 Years (Telcordia standard, 40°C temperature, 34.25% operating cycle (5 days a week, 12 hours a day))

#### Functions

Supported browsers	Netscape Communicator versions 4.5 and up or Internet Explorer versions 4.01 and up
--------------------	---

### System properties

#### System requirements

Supported browsers	Netscape Communicator versions 4.5 and up or Internet Explorer versions 4.01 and up
--------------------	---

### Electrical properties

Electrical isolation	VCC // Ethernet // RS-485
Maximum power dissipation for nominal condition	2.4 W
Test voltage data interface/data interface	1.5 kV <sub>rms</sub> (50 Hz, 1 min.)
Test voltage data interface/power supply	1.5 kV <sub>rms</sub> (50 Hz, 1 min.)
	1.5 kV <sub>rms</sub>

#### Supply

Supply voltage range	19.2 V AC/DC ... 28.8 V AC/DC (via pluggable COMBICON screw terminal block)
	22.8 V DC ... 25.2 V DC (as an alternative or redundant, via backplane bus contact and system current supply)
Typical current consumption	max. 100 mA

#### Function

Management	Web-based management, SNMP or Factory Manager Software FL SWT
Status and diagnostic indicators	LEDs: UL (communication voltage), AC (data activity RS-485), FD (full duplex): 100 (100Base-T (X) operation), COL (collision) link and receive LED for Ethernet port

### Connection data

#### Supply

Tightening torque	0.56 Nm ... 0.79 Nm
-------------------	---------------------

## Interfaces

Signal	Ethernet
	Modbus
Web server	yes

Data: Ethernet interface, 10/100Base-T(X) in accordance with IEEE 802.3

Serial transmission speed	10/100 Mbps, auto negotiation
Connection method	RJ45 jack, shielded
Transmission length	100 m (shielded twisted pair)
Protocols supported	TCP/IP, UDP, Modbus (TCP, RTU/ASCII), PPP
Auxiliary protocols	ARP, DHCP, BOOTP, SNMP, RIP, RARP, HTTP, TFTP, ICMP

Data: RS-485 interface, in acc. with EIA/TIA-485, DIN 66259-4/RS-485 2-wire

Serial transmission speed	300, 600, 1200, 2400, 4800, 9600, 19200, 38400, 57600, 115200, 187500 Bit/s, can be set with web-based management
Connection method	D-SUB 9 plug
Termination resistor	390 Ω - 180 Ω - 390 Ω (can be connected)
File format/coding	UART/NRZ: 7/8 Bit Data, 1/2 Bit Stopp, None/Even/Odd Parity
Data flow control/protocols	Automatic control // Modbus RTU/ASCII

## Dimensions

Width	22.5 mm
Height	99 mm
Depth	118.6 mm

## Material specifications

Color (Housing)	green (RAL 6021)
Material (Housing)	PA V0

## Environmental and real-life conditions

Ambient conditions

Degree of protection	IP20
Ambient temperature (operation)	0 °C ... 55 °C
Ambient temperature (storage/transport)	-20 °C ... 70 °C
Altitude	≤ 5000 m (For restrictions, see the manufacturer's declaration for altitude operation)

## Approvals

Corrosive gas test

Identification	ISA-S71.04-1985 G3 Harsh Group A
----------------	----------------------------------

## EMC data

Electromagnetic compatibility	Conformance with EMC Directive 2014/30/EU
Noise immunity	EN 61000-6-2:2005

# FL COM SERVER RS485 - Interface converters



2708740

<https://www.phoenixcontact.com/gb/products/2708740>

## Noise emission

Standards/regulations

EN 50081-2

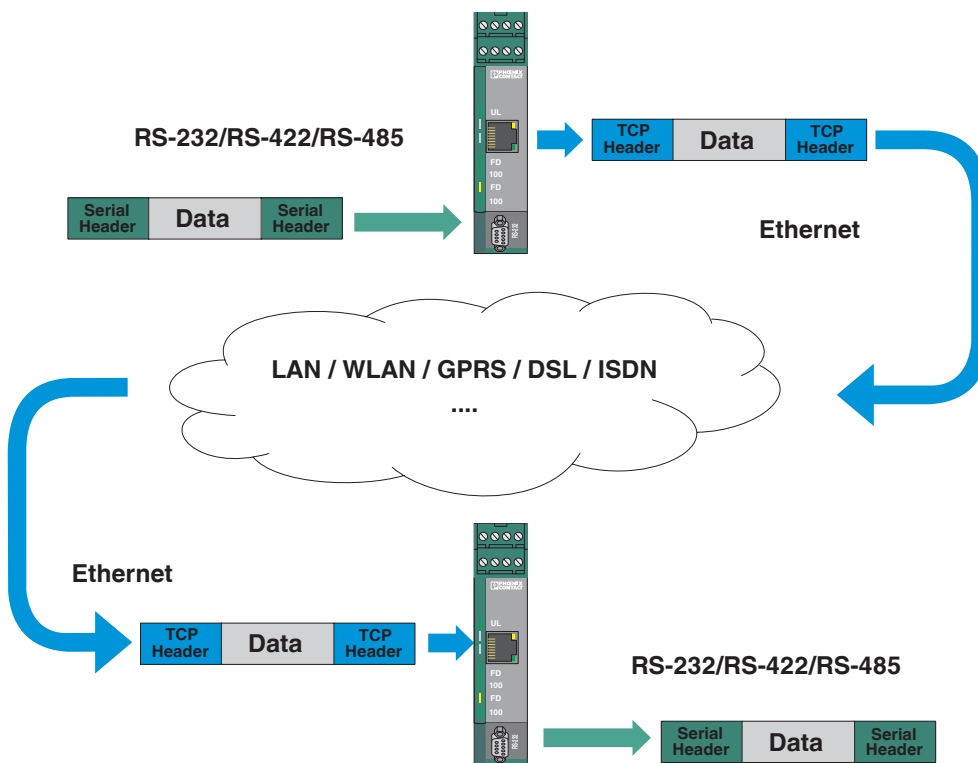
## Mounting

Mounting type

DIN rail mounting

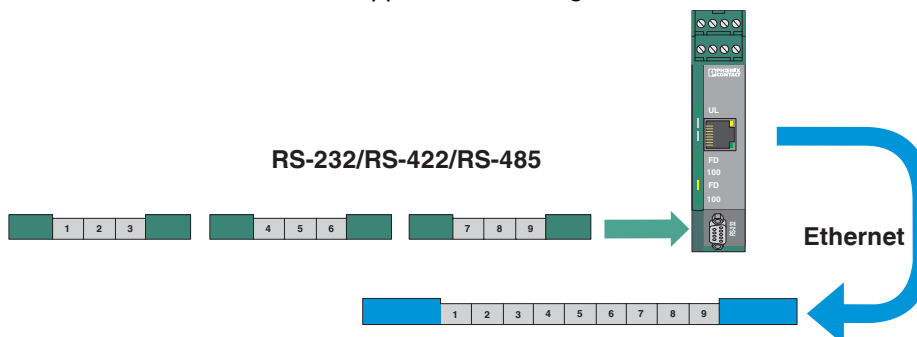
## Drawings

Application drawing



Serial data transmission via Ethernet

Application drawing



Large value: "Idle Force Timeout Characters"

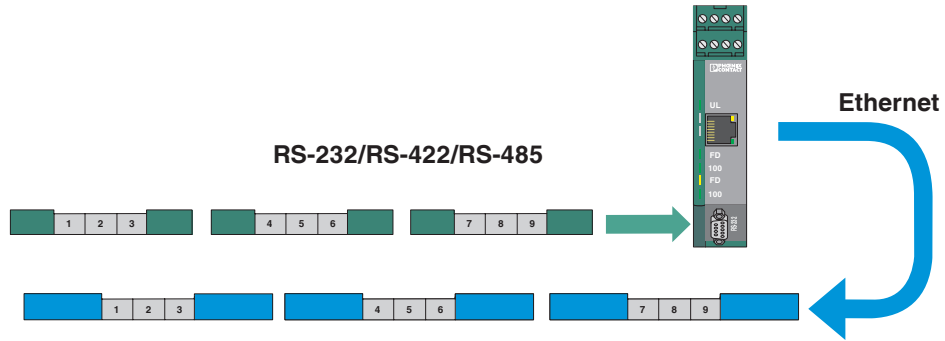
# FL COM SERVER RS485 - Interface converters



2708740

<https://www.phoenixcontact.com/gb/products/2708740>

Application drawing



Small value: "Idle Force Timeout Characters"

2708740

<https://www.phoenixcontact.com/gb/products/2708740>

## Environmental product compliance

### China RoHS

Environment friendly use period (EFUP)	EFUP-50
	An article-related China RoHS declaration table can be found in the download area for the respective article under "Manufacturer declaration". For all articles with EFUP-E, no China RoHS declaration table issued and required.

### EU REACH SVHC

REACH candidate substance (CAS No.)	No substance above 0.1 wt%
-------------------------------------	----------------------------

Phoenix Contact 2025 © - all rights reserved  
<https://www.phoenixcontact.com>

PHOENIX CONTACT Ltd  
Halesfield 13, Telford  
Shropshire, TF7 4PG  
01952 681700  
[info@phoenixcontact.co.uk](mailto:info@phoenixcontact.co.uk)