

# PLC-V8/FLK14/OUT - System connection



2295554

<https://www.phoenixcontact.com/gb/products/2295554>

Please be informed that the data shown in this PDF document is generated from our online catalog. Please find the complete data in the user documentation. Our general terms of use for downloads are valid.



V8 adapter for 8 x PLC-INTERFACE (6.2 mm), controller: PLC system cabling of output cards, connection 1: IDC/FLK pin strip 1x 14-position, connection 2: Plug-in connection (Can be snapped onto 8x PLC-INTERFACE terminals), connection 3: Screw connection 1x 2-position, number of channels: 8, control logic: positive switching

## Commercial data

Item number	2295554
Packing unit	1 pc
Minimum order quantity	1 pc
Sales key	DK21D1
Product key	DK21D1
GTIN	4017918189143
Weight per piece (including packing)	106.7 g
Weight per piece (excluding packing)	107 g
Customs tariff number	85366990
Country of origin	DE

## Technical data

### Product properties

Product type	Interface module
Product family	PLC-INTERFACE
Number of positions	14
No. of channels	8

### Insulation characteristics: Air clearances and creepage distances

Insulation	Functional insulation
Overvoltage category	II
Pollution degree	2

### Electrical properties

Operating voltage range	18 V DC ... 33.6 V DC
Current (per branch)	≤ 1 A
Current (Power supply)	≤ 3 A

### Air clearances and creepage distances

Rated insulation voltage	50 V
Rated surge voltage	0.5 kV (1.2/50 µs)

### Supported controller SIEMENS S7-1500

Suitable I/O card	6ES7522-1BH00-0AB0
	6ES7522-1BH01-0AB0
	6ES7522-1BL00-0AB0
	6ES7522-1BL01-0AB0

### Supported controller SIEMENS S7-400

Suitable I/O card	6ES7422-1BL00-0AA0
	6ES7422-7BL00-0AB0

### Supported controller ALLEN-BRADLEY ControlLogix

Suitable I/O card	1756-OB32
	1756-OB16E

### Supported controller ALLEN-BRADLEY PLC 5

Suitable I/O card	1771 OBN
-------------------	----------

### Supported controller ALLEN-BRADLEY SLC 500

Suitable I/O card	1746 OB 32
-------------------	------------

### Supported controller HONEYWELL Experion PKS C200

Suitable I/O card	TC-ODD 321
-------------------	------------

### Supported controller MITSUBISHI MELSEC Q

Suitable I/O card	QY81P
-------------------	-------

# PLC-V8/FLK14/OUT - System connection



2295554

<https://www.phoenixcontact.com/gb/products/2295554>

	QY82P
Supported controller SIEMENS S7-300 / ET 200 M	
Suitable I/O card	CPU 313C-2DP
	CPU 314C-2DP
	CPU 314C-2PtP
	6ES7322-1BH01-0AA0
	6ES7322-1BL00-0AA0
	6ES7323-1BH01-0AA0
	6ES7323-1BL00-0AA0
	CPU 313C
	CPU 313C-2PtP
Supported controller ABB S800 I/O	
Suitable I/O card	DO810
	DO840
Supported controller EMERSON DeltaV	
Suitable I/O card	VE4002S1T1B3
	VE4002S1T2B3
	VE4002S1T2B3 Series 2
	VE4002S1T2B6
Supported controller GE-FANUC RX3i	
Suitable I/O card	IC694MDL754
Supported controller MITSUBISHI MELSEC L	
Suitable I/O card	LY41PT1P
	LY42PT1P

## Connection data

### Connection 1 (control level)

Connection in acc. with standard	IEC 60603-13
Connection method	IDC/FLK pin strip
Number of connections	1
Number of positions	14
Insertion/withdrawal cycles	> 50
Pitch	2.54 mm

### Connection 2 (field level)

Connection method	Plug-in connection
Note	Can be snapped onto 8x PLC-INTERFACE terminals

### Connection 3 (supply)

Connection method	Screw connection
Stripping length	8 mm
Screw thread	M3

# PLC-V8/FLK14/OUT - System connection



2295554

<https://www.phoenixcontact.com/gb/products/2295554>

Number of connections	1
Number of positions	2
Conductor cross-section rigid	0.2 mm <sup>2</sup> ... 4 mm <sup>2</sup>
Conductor cross-section rigid (2 conductors with same cross section)	0.2 mm <sup>2</sup> ... 1.5 mm <sup>2</sup>
Conductor cross-section flexible	0.2 mm <sup>2</sup> ... 2.5 mm <sup>2</sup>
	0.25 mm <sup>2</sup> ... 2.5 mm <sup>2</sup> (Ferrule without plastic sleeve)
	0.25 mm <sup>2</sup> ... 2.5 mm <sup>2</sup> (Ferrule with plastic sleeve)
Conductor cross-section flexible (2 conductors with same cross section)	0.2 mm <sup>2</sup> ... 1.5 mm <sup>2</sup>
	0.25 mm <sup>2</sup> ... 0.75 mm <sup>2</sup> (Ferrule without plastic sleeve)
	0.5 mm <sup>2</sup> ... 1.5 mm <sup>2</sup> (TWIN ferrule with plastic sleeve)
Conductor cross-section AWG	24 ... 12
Tightening torque	0.5 Nm ... 0.6 Nm
Pitch	5 mm

## Signaling

Status display present	yes
Operating voltage display	Green LED

## Dimensions

### Item dimensions

Width	49.93 mm
Height	41 mm
Depth	55.8 mm

## Material specifications

Color	gray (RAL 7042)
Flammability rating according to UL 94	V0
Housing insulation material	Polyamide 6.6 green

## Environmental and real-life conditions

### Ambient conditions

Degree of protection (Module)	IP20
Degree of protection (Installation location)	≥ IP54
Ambient temperature (operation)	-40 °C ... 70 °C
Ambient temperature (storage/transport)	-40 °C ... 70 °C
Altitude	≤ 2000 m

## Approvals

### CE

Certificate	CE-compliant
-------------	--------------

### UKCA

Certificate	UKCA-compliant
-------------	----------------

# PLC-V8/FLK14/OUT - System connection



2295554

<https://www.phoenixcontact.com/gb/products/2295554>

## UL, USA/Canada

Identification	Class I, Div. 2, Groups A, B, C, D T4
----------------	---------------------------------------

## UL, Canada

Identification	Class I, Zone 2, Ex ec IIC Gc T4 X
----------------	------------------------------------

## UL, USA

Identification	Class I, Zone 2, AEx ec IIC T4
----------------	--------------------------------

## Shipbuilding approval

Certificate	TAE0000196
-------------	------------

## Shipbuilding data

Temperature	D
Humidity	A
Vibration	C
EMC	B
Enclosure	Required protection according to the Rules shall be provided upon installation on board

## EMC data

Electromagnetic compatibility	Conformance with EMC directive
Low Voltage Directive	Conformance with Low Voltage Directive

## Standards and regulations

### Air clearances and creepage distances

Standards/regulations	EN IEC 60664-1
-----------------------	----------------

## Mounting

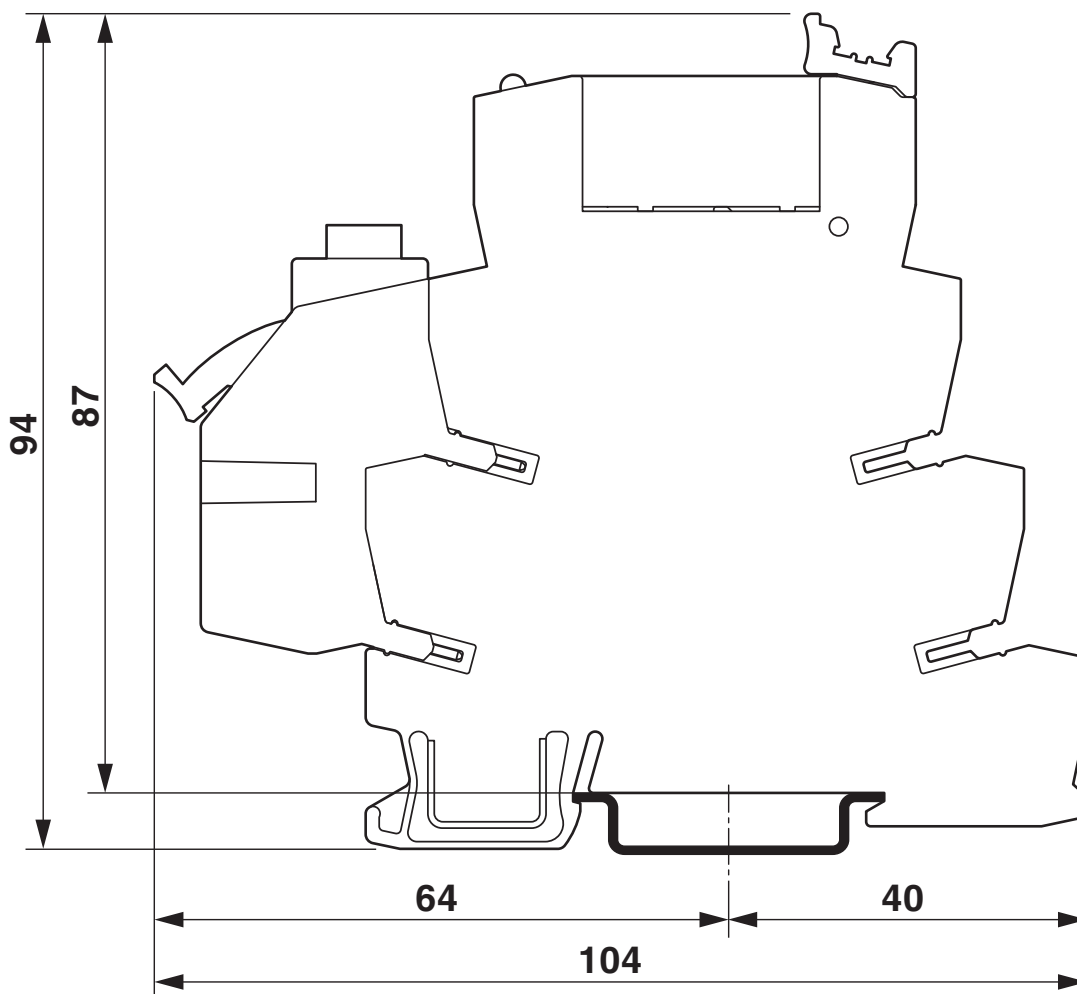
Mounting type	Plug-on assembly
Assembly note	in rows with zero spacing
Mounting position	any

## Notes

Notes on operation	For proper use, the specifications of the installation directive (see Downloads) must be observed. For applications or use with third-party products, the specifications, and the safety and warning instructions of the respective third-party manufacturer must also be met.
--------------------	--

Drawings

Dimensional drawing

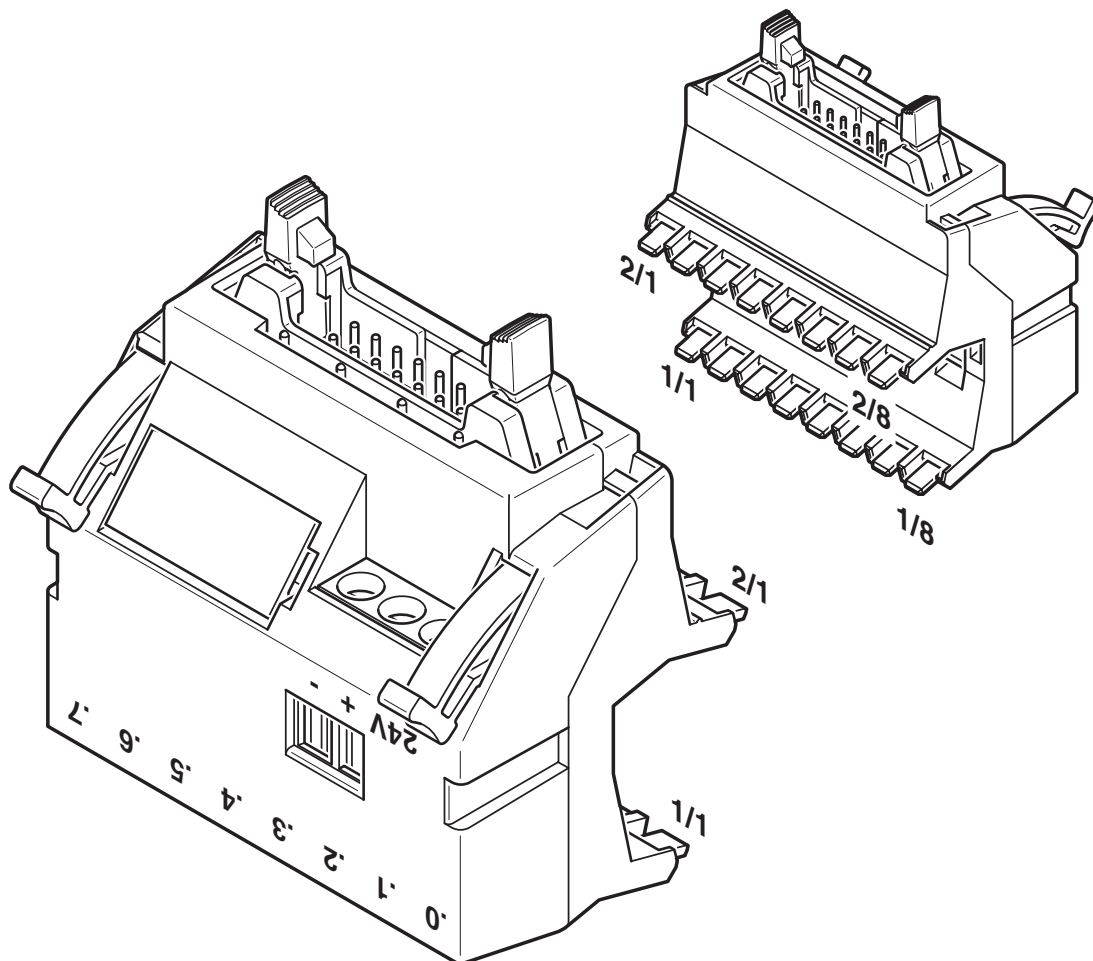


# PLC-V8/FLK14/OUT - System connection

2295554

<https://www.phoenixcontact.com/gb/products/2295554>

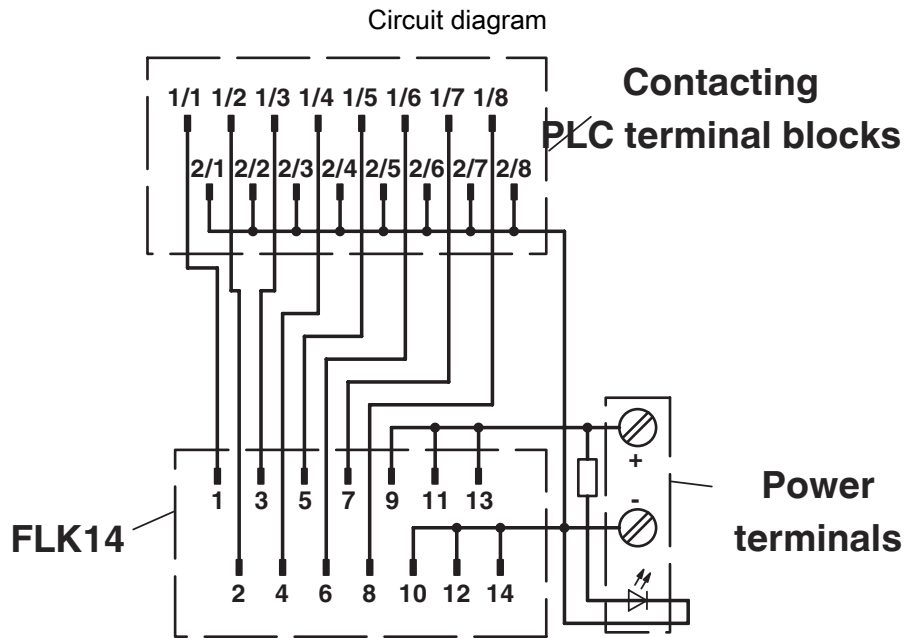
Schematic diagram



# PLC-V8/FLK14/OUT - System connection

2295554

<https://www.phoenixcontact.com/gb/products/2295554>



PLC-V8/FLK14/OUT connection scheme

# PLC-V8/FLK14/OUT - System connection





2295554


<https://www.phoenixcontact.com/gb/products/2295554>


## Approvals


To download certificates, visit the product detail page: <https://www.phoenixcontact.com/gb/products/2295554>


 <b>cUL Recognized</b> Approval ID: E238705				
	Nominal voltage $U_N$	Nominal current $I_N$	Cross section AWG	Cross section $\text{mm}^2$
keine				
	24 V	1 A	-	-


 <b>UL Recognized</b> Approval ID: E238705				
	Nominal voltage $U_N$	Nominal current $I_N$	Cross section AWG	Cross section $\text{mm}^2$
keine				
	24 V	1 A	-	-

 <b>DNV GL</b> Approval ID: TAE0000196				
--	--	--	--	--

 <b>UL Listed</b> Approval ID: FILE E 172140				
--	--	--	--	--

 <b>cUL Listed</b> Approval ID: FILE E 172140				
---	--	--	--	--

 <b>cUL Listed</b> Approval ID: E199827				
---	--	--	--	--

 <b>UL Listed</b> Approval ID: E199827				
--	--	--	--	--

# PLC-V8/FLK14/OUT - System connection



2295554

<https://www.phoenixcontact.com/gb/products/2295554>

## Classifications

### ECLASS

ECLASS-13.0	27141152
ECLASS-15.0	27141152

### ETIM

ETIM 9.0	EC002780
----------	----------

### UNSPSC

UNSPSC 21.0	39121400
-------------	----------

2295554

<https://www.phoenixcontact.com/gb/products/2295554>

## Environmental product compliance

### EU RoHS

Fulfills EU RoHS substance requirements	Yes
Exemption	6(c)

### China RoHS

Environment friendly use period (EFUP)	EFUP-50
	An article-related China RoHS declaration table can be found in the download area for the respective article under "Manufacturer declaration". For all articles with EFUP-E, no China RoHS declaration table issued and required.

### EU REACH SVHC

REACH candidate substance (CAS No.)	Hexahydromethylphthalic anhydride(CAS: n/a)
	Lead(CAS: 7439-92-1)
SCIP	45eebf1d-aab8-4fb8-9a75-24099d0634c2

### EF3.0 Climate Change

CO2e kg	1.417 kg CO2e
---------	---------------

Phoenix Contact 2025 © - all rights reserved  
<https://www.phoenixcontact.com>

PHOENIX CONTACT Ltd  
Halesfield 13, Telford  
Shropshire, TF7 4PG  
01952 681700  
[info@phoenixcontact.co.uk](mailto:info@phoenixcontact.co.uk)