

PP-RJ-RJ - Patch panel

2703015

<https://www.phoenixcontact.com/gb/products/2703015>

Please be informed that the data shown in this PDF document is generated from our online catalog. Please find the complete data in the user documentation. Our general terms of use for downloads are valid.

Patch panel, two RJ45 jacks, CAT6, 10/100/1000 Mbps, DIN rail adapter, IP20



Product description

This product is the successor to FL-PP-RJ45/RJ45, item no. 2901646. Ethernet patch panels enable quick and easy connection between the field cabling and control cabinet cabling. The passive termination panels are a convenient alternative to the on-site assembly of RJ45 connectors.

Your advantages

- 10/100/1000 Mbps, CAT6
- Extended temperature range of -40 °C ... +75 °C
- Shipbuilding approval in accordance with DNV GL
- PoE-capable in accordance with IEEE 802.3bt, type 4

Commercial data

| | |
|--------------------------------------|---------------|
| Item number | 2703015 |
| Packing unit | 10 pc |
| Minimum order quantity | 10 pc |
| Sales key | DNC334 |
| Product key | DNC334 |
| GTIN | 4055626462868 |
| Weight per piece (including packing) | 63.395 g |
| Weight per piece (excluding packing) | 59.936 g |
| Customs tariff number | 85366990 |
| Country of origin | DE |

PP-RJ-RJ - Patch panel



2703015

<https://www.phoenixcontact.com/gb/products/2703015>

Technical data

Notes

Note on application

| | |
|---------------------|-------------------------|
| Note on application | Only for industrial use |
|---------------------|-------------------------|

Utilization restriction

| | |
|------------|---|
| CCCex note | Use in potentially explosive areas is not permitted in China. |
|------------|---|

Product properties

| | |
|--------------|--------------|
| Product type | Patch panel |
| MTTF | 105699 Years |

Insulation characteristics

| | |
|----------------------|----|
| Overvoltage category | II |
| Pollution degree | 2 |

Electrical properties

| | |
|---|--|
| Maximum power dissipation for nominal condition | 0 W (passive module, no supply voltage required) |
| Rated insulation voltage | 85 V DC (In accordance with EN/IEC 60079-7, Annex H) |

Interfaces

Data: Ethernet interface, 10/100/1000Base-T(X) in accordance with IEEE 802.3

| | |
|-------------------------------|--------------------------------|
| Serial transmission speed | 10/100/1000 Mbps |
| Frequency range | 250 MHz |
| Connection method | RJ45 jack |
| Note on the connection method | CAT6 |
| Pin assignment | 1:1 |
| Transmission length | 100 m (including patch cables) |
| Transmission medium | Copper |
| Output nominal voltage | < 57 V DC |
| Maximum output power | 60 W |
| Maximum output current | 725 mA (Per channel) |

Data: Ethernet interface, 10/100/1000Base-T(X) in accordance with IEEE 802.3

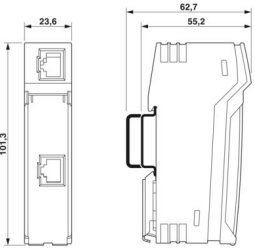
| | |
|-------------------|-----------|
| Connection method | RJ45 jack |
|-------------------|-----------|

Dimensions

PP-RJ-RJ - Patch panel

2703015

<https://www.phoenixcontact.com/gb/products/2703015>

| | |
|---------------------|--|
| Dimensional drawing |  |
| Width | 23.8 mm |
| Height | 101.3 mm |
| Depth | 50 mm |

Material specifications

| | |
|--|-----------------------|
| Color (Housing) | light gray (RAL 7035) |
| Material (Housing) | Plastic |
| Flammability rating according to UL 94 | V0 |

Mechanical tests

| | |
|--|---|
| Vibration resistance in accordance with EN 60068-2-6/IEC 60068-2-6 | : 10 Hz ... 57 Hz, amplitude ± 3.5 mm, 57 Hz ... 150 Hz, 5g |
| Shock in accordance with EN 60068-2-27/IEC 60068-2-27 | : 30g for 11 ms, three shocks in each spatial direction |
| Continuous shock in accordance with EN 60068-2-27/IEC 60068-2-27 | : 10g for 16 ms, 1000 shocks in each spatial direction |

Environmental and real-life conditions

Ambient conditions

| | |
|---|---|
| Degree of protection | IP20 (Manufacturer's declaration) |
| Ambient temperature (operation) | -40 °C ... 75 °C |
| Ambient temperature (storage/transport) | -40 °C ... 85 °C |
| Altitude | ≤ 5000 m (For restrictions, see the manufacturer's declaration for altitude operation) ≤ 2000 m (Restrictions for ATEX applications) |
| Permissible humidity (operation) | 10 % ... 95 % (non-condensing) |

Approvals

CE

| | |
|-------------|--------------|
| Certificate | CE-compliant |
|-------------|--------------|

ATEX

| | |
|----------------|---|
| Identification | ⊕ II 3 G Ex ec IIC Gc |
| Certificate | PxCIF18ATEX2703015U |
| Note | Please follow the special installation instructions in the documentation! |

UKEX

PP-RJ-RJ - Patch panel



2703015

<https://www.phoenixcontact.com/gb/products/2703015>

| | |
|----------------|-----------------------|
| Identification | Ⓜ II 3 G Ex ec IIC Gc |
| Certificate | PxCIMA22UKEX2703015U |

UL, USA

| | |
|-------------|--------------------------------------|
| Certificate | UL 60079-0 Ed. 6 / UL 60079-15 Ed. 4 |
|-------------|--------------------------------------|

UL, Canada

| | |
|-------------|---|
| Certificate | CSA 22.2 No. 60079-0 Ed. 3 / CSA 22.2 No. 60079-15:16 |
|-------------|---|

Corrosive gas test

| | |
|----------------|----------------------------------|
| Identification | ISA-S71.04-1985 G3 Harsh Group A |
|----------------|----------------------------------|

Shipbuilding

| | |
|----------------|--------|
| Identification | DNV GL |
|----------------|--------|

Shipbuilding data

| | |
|-------------|---|
| Temperature | D |
| Humidity | B |
| Vibration | B |
| EMC | B |

Mounting

| | |
|-----------------------|-------------------|
| Mounting type | DIN rail mounting |
| Useable DIN rail type | DIN rail: 35 mm |

PP-RJ-RJ - Patch panel

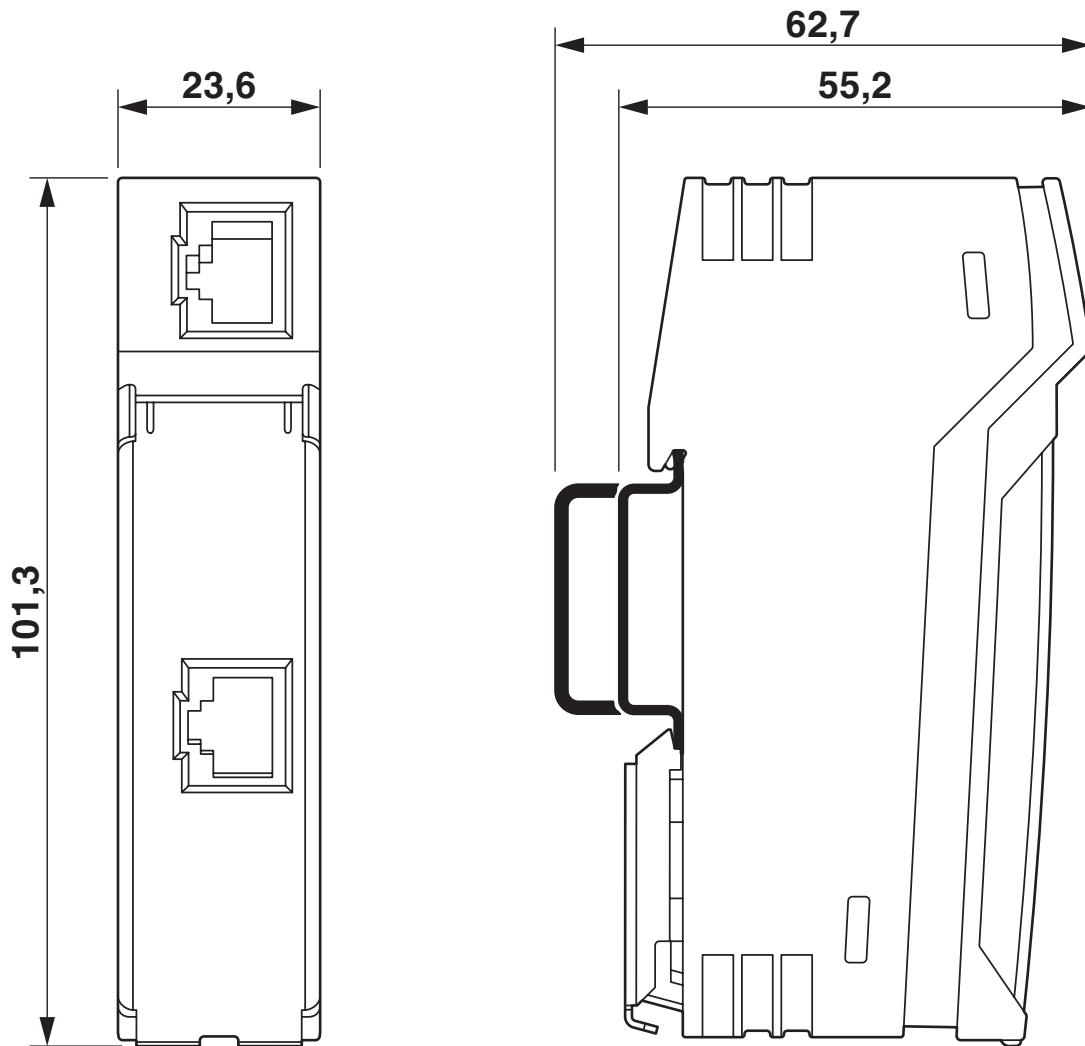
2703015

<https://www.phoenixcontact.com/gb/products/2703015>



Drawings

Dimensional drawing



Compact housing

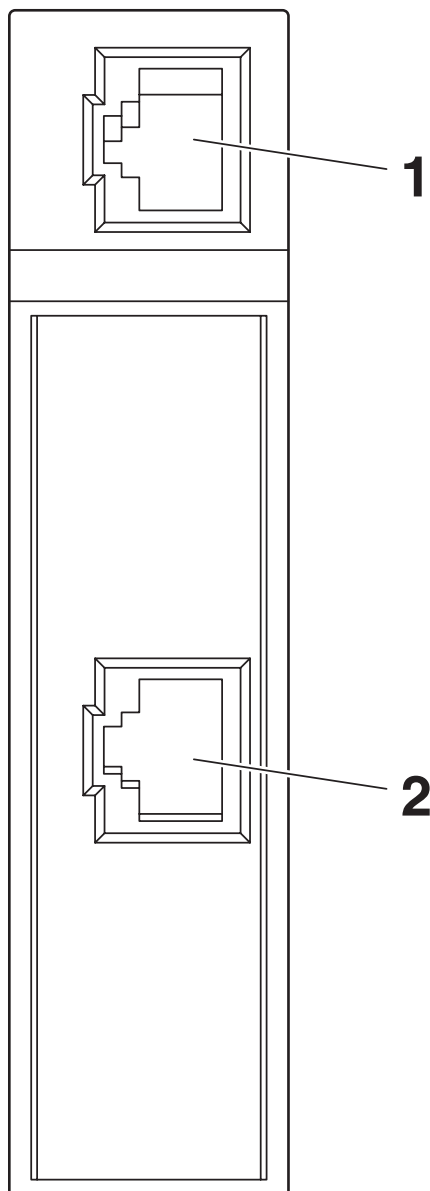
PP-RJ-RJ - Patch panel

2703015

<https://www.phoenixcontact.com/gb/products/2703015>



Schematic diagram



Front view

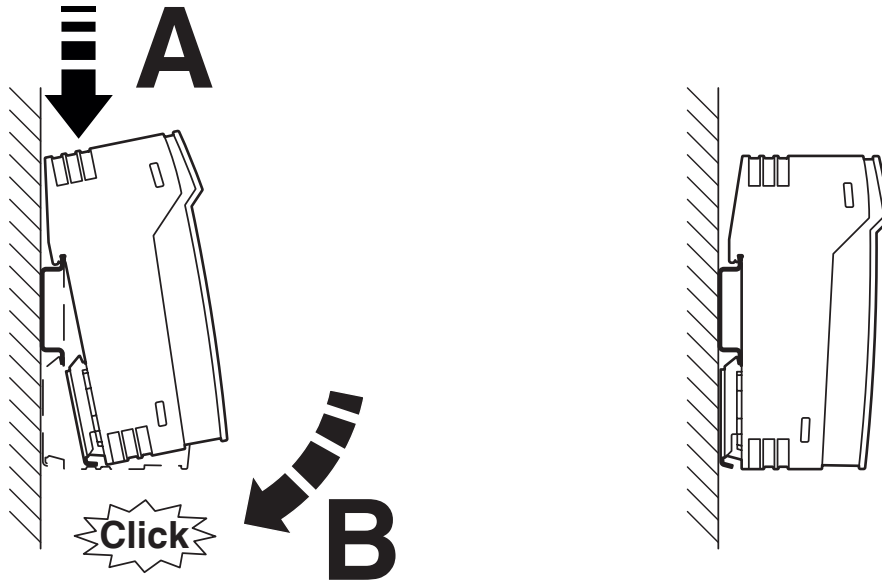
PP-RJ-RJ - Patch panel

2703015

<https://www.phoenixcontact.com/gb/products/2703015>

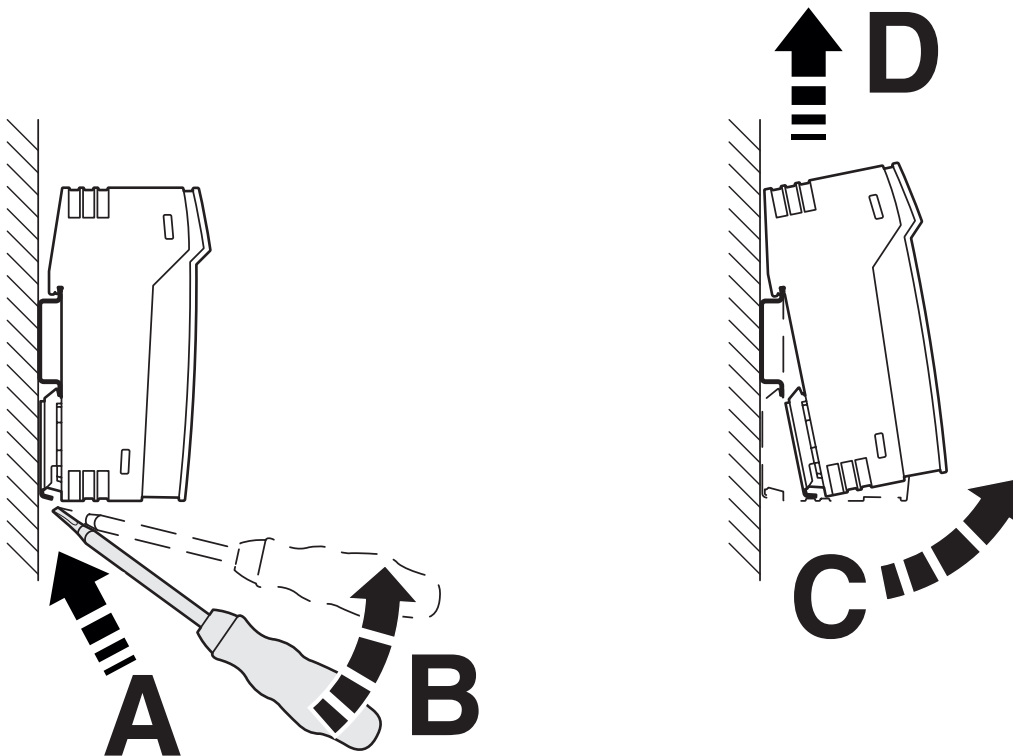


Schematic diagram



Mounting on a DIN rail

Schematic diagram



Removal

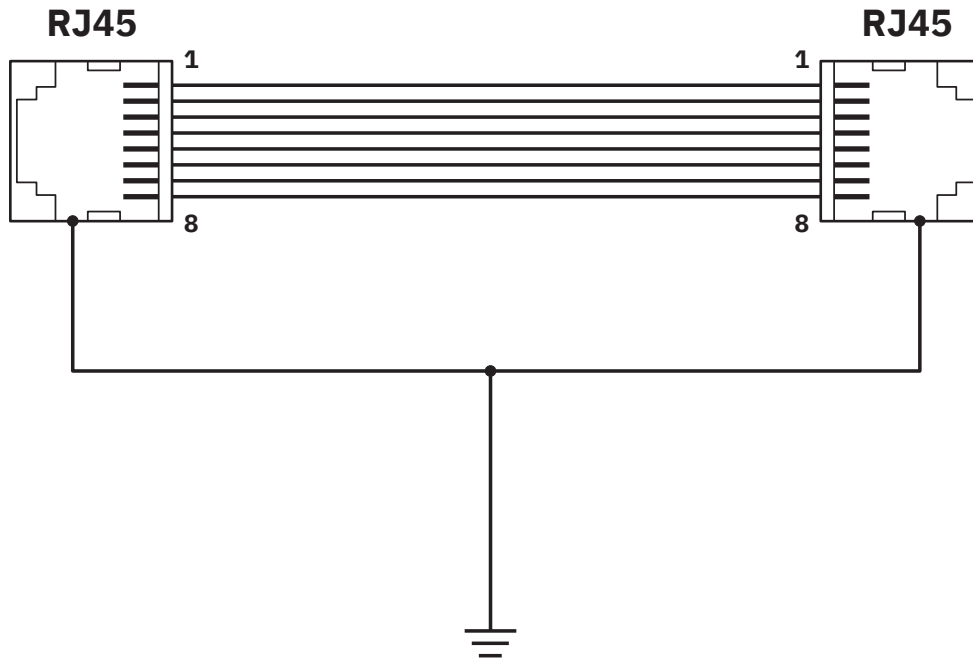
PP-RJ-RJ - Patch panel

2703015

<https://www.phoenixcontact.com/gb/products/2703015>



Circuit diagram



PP-RJ-RJ - Patch panel



2703015

<https://www.phoenixcontact.com/gb/products/2703015>

Approvals

To download certificates, visit the product detail page: <https://www.phoenixcontact.com/gb/products/2703015>



DNV GL

Approval ID: TAA00001KR



cULus Listed

Approval ID: E238705



cULus Listed

Approval ID: E366272

PP-RJ-RJ - Patch panel



2703015

<https://www.phoenixcontact.com/gb/products/2703015>

Classifications

ECLASS

| | |
|-------------|----------|
| ECLASS-13.0 | 19170112 |
| ECLASS-15.0 | 19170112 |

ETIM

| | |
|----------|----------|
| ETIM 9.0 | EC001128 |
|----------|----------|

UNSPSC

| | |
|-------------|----------|
| UNSPSC 21.0 | 43223300 |
|-------------|----------|

PP-RJ-RJ - Patch panel



2703015

<https://www.phoenixcontact.com/gb/products/2703015>

Environmental product compliance

EU RoHS

| | |
|---|--------------------|
| Fulfills EU RoHS substance requirements | Yes, No exemptions |
|---|--------------------|

China RoHS

| | |
|--|--|
| Environment friendly use period (EFUP) | EFUP-E |
| | No hazardous substances above the limits |

EU REACH SVHC

| | |
|-------------------------------------|----------------------------|
| REACH candidate substance (CAS No.) | No substance above 0.1 wt% |
|-------------------------------------|----------------------------|

Phoenix Contact 2025 © - all rights reserved
<https://www.phoenixcontact.com>

PHOENIX CONTACT Ltd
Halesfield 13, Telford
Shropshire, TF7 4PG
01952 681700
info@phoenixcontact.co.uk