

CB 1/10-1/10 UT-BE - Base element

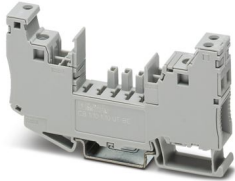


2801305

<https://www.phoenixcontact.com/gb/products/2801305>

Please be informed that the data shown in this PDF document is generated from our online catalog. Please find the complete data in the user documentation. Our general terms of use for downloads are valid.

Base element with screw connection technology for CB... device circuit breakers



Your advantages

- Fast installation with reduced wiring work with bridging options
- Can be extended at any time with the modular design
- Reliable installation with screw connection technology
- Clear assignment of protective plug with coding options

Commercial data

Item number	2801305
Packing unit	10 pc
Minimum order quantity	10 pc
Sales key	CLA193
Product key	CLA193
GTIN	4046356769198
Weight per piece (including packing)	44.47 g
Weight per piece (excluding packing)	39.42 g
Customs tariff number	85366990
Country of origin	ID

Technical data

Product properties

Product type	Base element
Product family	CB BE
Type	Base element, DIN rail mounting

Electrical properties

Nominal voltage U_N	277 V
-----------------------	-------

General

Rated voltage	277 V (AC)
	80 V (DC)
Rated insulation voltage U_i	277 V AC
Rated current I_N	16 A
Rated surge voltage	2.5 kV
Insertion/withdrawal cycles	100

Indicator/remote signaling

Connection name	Remote indication circuit
Switching function	Changeover contact

Connection data

Connection method	Screw connection
-------------------	------------------

Connection 1

Connection method	Screw connection
Tightening torque	1.2 Nm
Stripping length	10 mm
Conductor cross-section flexible min.	0.5 mm ²
Conductor cross-section flexible max.	16 mm ²
Conductor cross-section, rigid min.	0.5 mm ²
Conductor cross-section, rigid max.	16 mm ²

Connection 2

Connection method	Screw connection
Tightening torque	1.2 Nm
Stripping length	10 mm
Conductor cross-section flexible min.	0.5 mm ²
Conductor cross-section flexible max.	16 mm ²
Conductor cross-section, rigid min.	0.5 mm ²
Conductor cross-section, rigid max.	16 mm ²

Remote indication circuit

Connection method	Screw connection
Tightening torque	0.5 Nm

CB 1/10-1/10 UT-BE - Base element

2801305

<https://www.phoenixcontact.com/gb/products/2801305>

Stripping length	9 mm
Conductor cross-section flexible	0.14 mm ² ... 4 mm ²
Conductor cross-section rigid	0.14 mm ² ... 4 mm ²
Conductor cross-section AWG	26 ... 16
Conductor cross-section, flexible, with ferrule, with plastic sleeve	0.14 mm ² ... 2.5 mm ²

Dimensions

Dimensional drawing	
Width	12.3 mm
Height	90.8 mm
Depth	70 mm

Material specifications

Color	gray (RAL 7042)
	black (RAL 9005)
Flammability rating according to UL 94	V0

Mechanical properties

Mechanical data

Open side panel	No
-----------------	----

Environmental and real-life conditions

Ambient conditions

Degree of protection	IP30 (Actuation area)
Ambient temperature (operation)	-30 °C ... 60 °C

Standards and regulations

Standards/specifications	UL 1059
--------------------------	---------

Mounting

Mounting type	DIN rail: 35 mm
---------------	-----------------

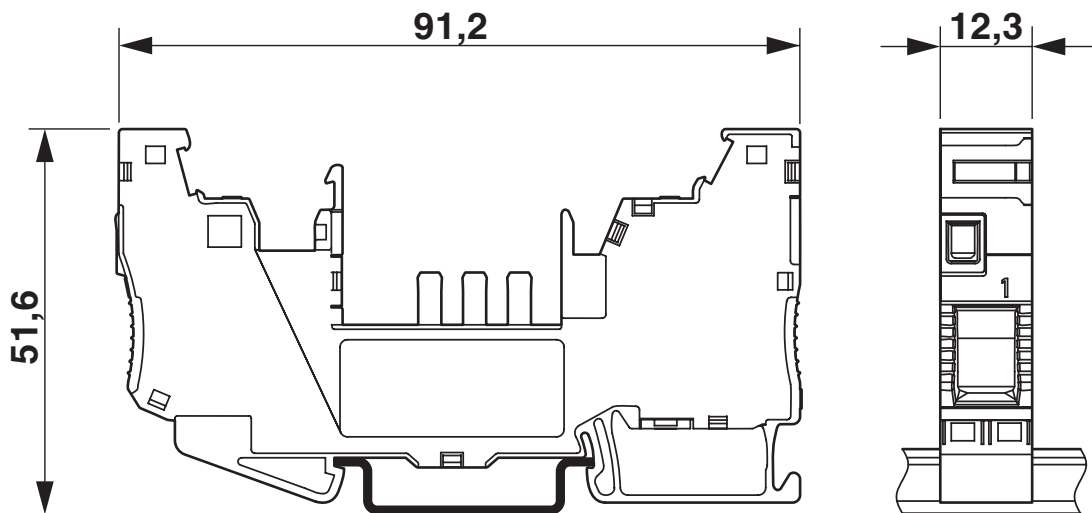
CB 1/10-1/10 UT-BE - Base element

2801305

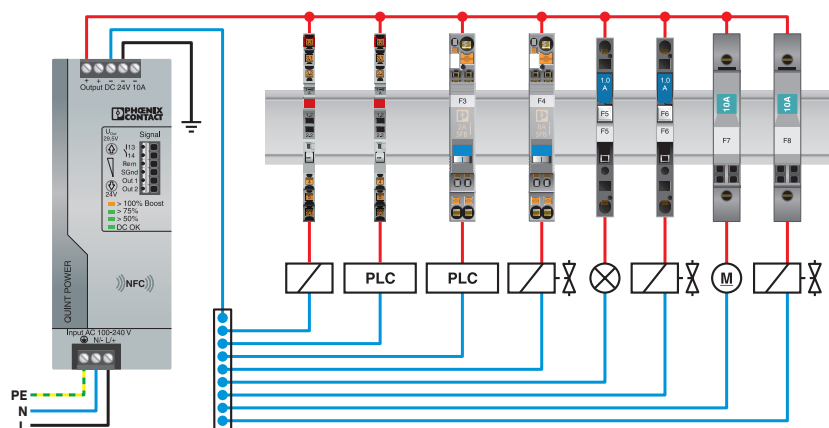
<https://www.phoenixcontact.com/gb/products/2801305>

Drawings

Dimensional drawing



Application drawing



CB 1/10-1/10 UT-BE - Base element



2801305

<https://www.phoenixcontact.com/gb/products/2801305>

Approvals

To download certificates, visit the product detail page: <https://www.phoenixcontact.com/gb/products/2801305>



cUL Recognized

Approval ID: FILE E 60425



UL Recognized

Approval ID: FILE E 60425



DNV GL

Approval ID: TAE00003C7



cULus Listed

Approval ID: E123528

CB 1/10-1/10 UT-BE - Base element



2801305

<https://www.phoenixcontact.com/gb/products/2801305>

Classifications

ECLASS

ECLASS-13.0	27140401
ECLASS-15.0	27140401

ETIM

ETIM 9.0	EC003538
----------	----------

UNSPSC

UNSPSC 21.0	39121400
-------------	----------

CB 1/10-1/10 UT-BE - Base element



2801305

<https://www.phoenixcontact.com/gb/products/2801305>

Environmental product compliance

EU RoHS

Fulfills EU RoHS substance requirements	Yes, No exemptions
---	--------------------

China RoHS

Environment friendly use period (EFUP)	EFUP-E
	No hazardous substances above the limits

EU REACH SVHC

REACH candidate substance (CAS No.)	No substance above 0.1 wt%
-------------------------------------	----------------------------

Phoenix Contact 2025 © - all rights reserved
<https://www.phoenixcontact.com>

PHOENIX CONTACT Ltd
Halesfield 13, Telford
Shropshire, TF7 4PG
01952 681700
info@phoenixcontact.co.uk