

PSR-SCP- 24DC/SIM4 - Safety relays



2981936

<https://www.phoenixcontact.com/gb/products/2981936>

Please be informed that the data shown in this PDF document is generated from our online catalog. Please find the complete data in the user documentation. Our general terms of use for downloads are valid.



Interface module for the connection of several safety sensors or switches with NC/NO contacts to the safety relay PSR-SDC4, with screw connection

Your advantages

- 4 two-channel N/O or N/C contact inputs
- Up to Cat. 3/PL d in accordance with EN ISO 13849-1, SIL 2 in accordance with IEC 61508 (in conjunction with the PSR-SDC4 master)
- 4 PLC diagnostic outputs for evaluating the switching state of the safety sensors
- 4 LEDs as status indicators for the relevant sensor/switch
- PSR-TBUS connection

Commercial data

Item number	2981936
Packing unit	1 pc
Minimum order quantity	1 pc
Sales key	DNA221
Product key	DNA221
GTIN	4046356326001
Weight per piece (including packing)	176 g
Weight per piece (excluding packing)	98 g
Customs tariff number	85364190
Country of origin	DE

PSR-SCP- 24DC/SIM4 - Safety relays



2981936

<https://www.phoenixcontact.com/gb/products/2981936>

Technical data

Notes

Note on application

Note on application	Only for industrial use
---------------------	-------------------------

Product properties

Product type	Interface module
Product family	PSRclassic

Insulation characteristics

Overvoltage category	III
Degree of pollution	2

Electrical properties

Max. permissible current	100 mA (per signal output)
Max. permissible total current	100 mA (alarm outputs)
Nominal operating mode	100% operating factor
Rated insulation voltage	50 V DC
Rated surge voltage	0.8 kV

Input data

Nominal input voltage U_N	24 V DC (from PSR)
Input voltage range in reference to U_N	0.85 ... 1.1
Nominal input voltage U_N	24 V DC (from PSR)

Connection data

Connection technology

pluggable	yes
-----------	-----

Conductor connection

Connection method	Screw connection
Conductor cross-section rigid	0.2 mm ² ... 2.5 mm ²
Conductor cross-section flexible	0.2 mm ² ... 2.5 mm ²
Conductor cross-section AWG	24 ... 12
Stripping length	7 mm
Screw thread	M3

Signaling

Status display	LED (green)
Status display present	yes

Dimensions

Width	22.5 mm
-------	---------

PSR-SCP- 24DC/SIM4 - Safety relays



2981936

<https://www.phoenixcontact.com/gb/products/2981936>

Height	99 mm
Depth	106 mm

Material specifications

Housing material	PA
------------------	----

Environmental and real-life conditions

Ambient conditions

Degree of protection	IP20
Ambient temperature (operation)	-20 °C ... 55 °C
Ambient temperature (storage/transport)	-40 °C ... 70 °C
Maximum altitude	max. 2000 m (Above sea level)

Mounting

Mounting type	DIN rail mounting
Assembly note	in rows with zero spacing
Mounting position	any

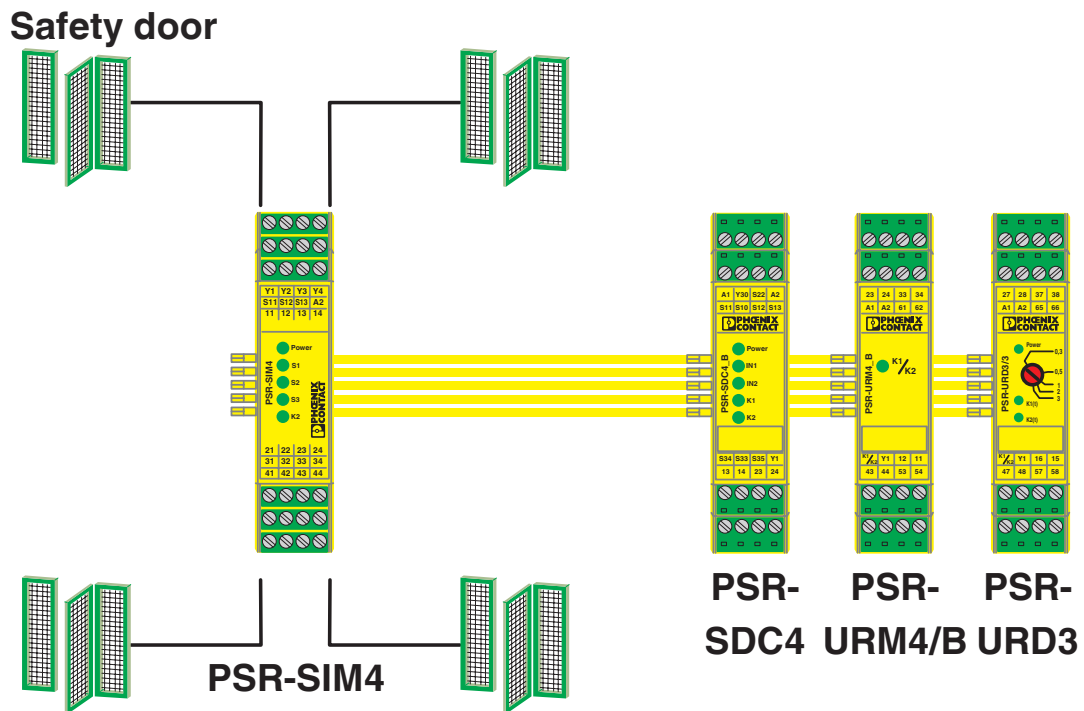
PSR-SCP- 24DC/SIM4 - Safety relays

2981936

<https://www.phoenixcontact.com/gb/products/2981936>

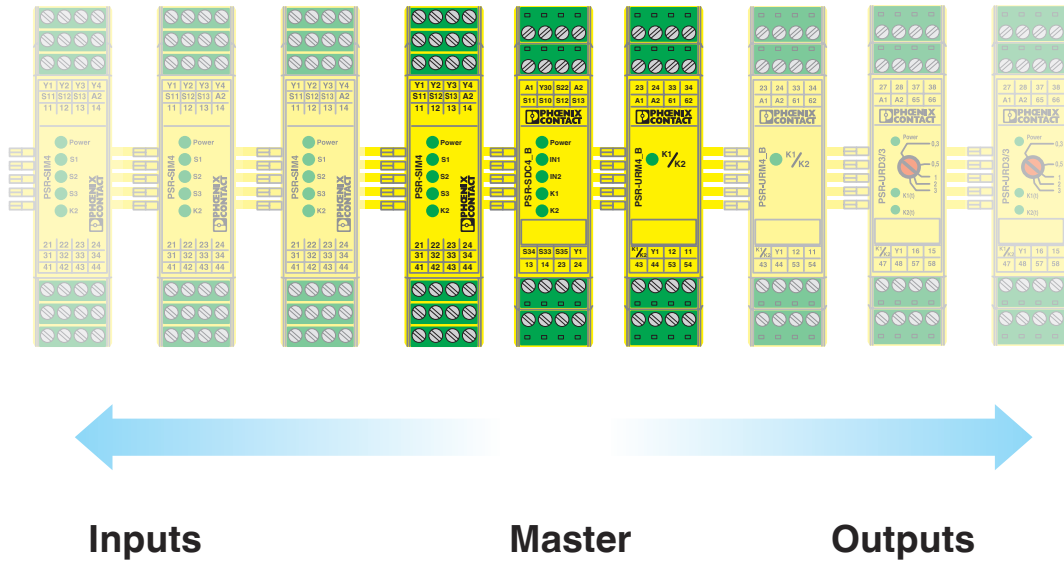
Drawings

Application drawing



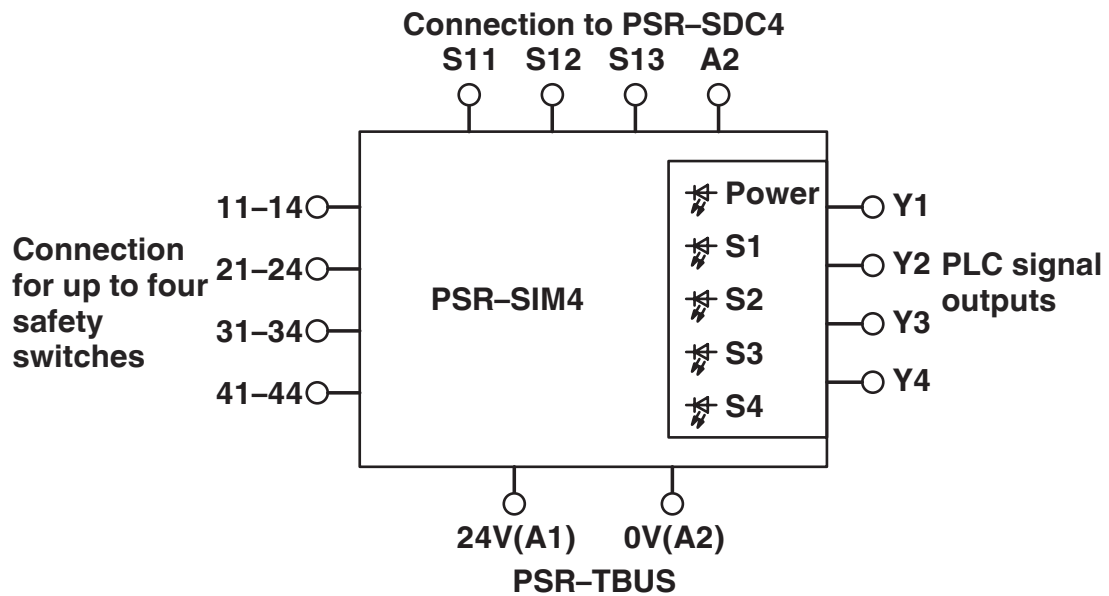
Up to 4 safety door switches can be connected to one PSR-SIM4.

Application drawing



Additional inputs are aligned on the left of the PSR-SDC4, outputs are to its right.

Circuit diagram



Block diagram

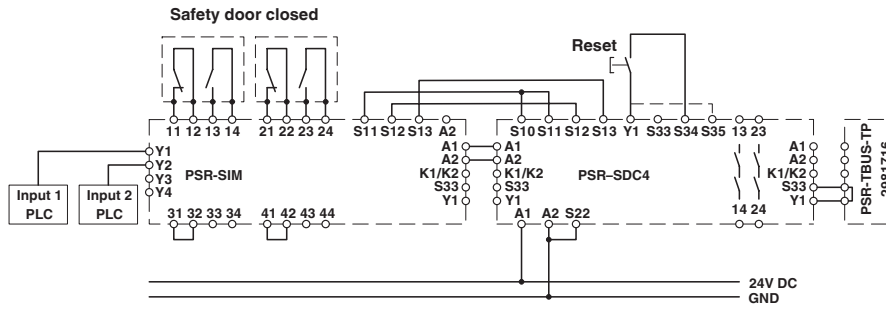
PSR-SCP- 24DC/SIM4 - Safety relays



2981936

<https://www.phoenixcontact.com/gb/products/2981936>

Circuit diagram



Contact extension

PSR-SCP- 24DC/SIM4 - Safety relays



2981936

<https://www.phoenixcontact.com/gb/products/2981936>

Approvals

To download certificates, visit the product detail page: <https://www.phoenixcontact.com/gb/products/2981936>



cULus Listed

Approval ID: E140324

PSR-SCP- 24DC/SIM4 - Safety relays



2981936

<https://www.phoenixcontact.com/gb/products/2981936>

Classifications

ECLASS

ECLASS-13.0	27371819
ECLASS-15.0	27371819

ETIM

ETIM 9.0	EC001449
----------	----------

UNSPSC

UNSPSC 21.0	39122200
-------------	----------

Environmental product compliance

EU RoHS

Fulfills EU RoHS substance requirements	Yes
Exemption	7(a), 7(c)-I

China RoHS

Environment friendly use period (EFUP)	EFUP-50
	An article-related China RoHS declaration table can be found in the download area for the respective article under "Manufacturer declaration". For all articles with EFUP-E, no China RoHS declaration table issued and required.

EU REACH SVHC

REACH candidate substance (CAS No.)	Lead(CAS: 7439-92-1)
SCIP	dc98df7a-32bc-4253-8960-ba1875a3a906