

# Product datasheet

Specifications



## HART INTERFACE MODULE 4 CHANNEL

Local distributor code:  
398038797

STBAHI8321KC

⚠ Discontinued on: 11 Jan 2024

⚠ End-of-service on: 11 Apr 2024

⚠ Discontinued

EAN Code: 3595864155210

### Main

Range of product	Modicon STB distributed I/O solution
Product or component type	HART interface kit
Kit composition	STBXTS215018 terminal spring clamp connector STBAHI8321 module STBXBA3000 base

### Complementary

Number of channels	4
Function available	Hot swap Virtual placeholder I/O mapping
Program characteristics	Floating points
[Us] rated supply voltage	24 V
Voltage range	19.2...30 V
Network type	DC
Protection type	Reverse polarity protection
Current consumption	400 mA at 5.25 V DC for logic bus
Insulation between channels	> 30 Vdc
Type of filter	Passive 3 dB 25 Hz
Status LED	1 LED (green) module status (RDY) 1 LED (red) module error (ERR) 4 LEDs (green/red) channel status (CH1 to CH4)
Height	27.8 mm
Depth	75.5 mm
Width	128.3 mm
Net weight	0.11 kg

### Environment

Product certifications	UL FM Class 1 Division 2 CSA
Marking	CE
Ambient air temperature for operation	0...60 °C
Ambient air temperature for storage	-40...85 °C

---

Relative humidity	95 % without condensation
-------------------	---------------------------

## Packing Units

---

Unit Type of Package 1	PCE
------------------------	-----

---

Number of Units in Package 1	1
------------------------------	---

---

Package 1 Height	3.600 cm
------------------	----------

---

Package 1 Width	8.100 cm
-----------------	----------

---

Package 1 Length	13.200 cm
------------------	-----------

---

Package 1 Weight	167.000 g
------------------	-----------

---

Unit Type of Package 2	S02
------------------------	-----

---

Number of Units in Package 2	30
------------------------------	----

---

Package 2 Height	15.000 cm
------------------	-----------

---

Package 2 Width	30.000 cm
-----------------	-----------

---

Package 2 Length	40.000 cm
------------------	-----------

---

Package 2 Weight	5.346 kg
------------------	----------

## Contractual warranty

---

Warranty (in months)	18
----------------------	----


## Environmental Data

Schneider Electric aims to achieve Net Zero status by 2050 through supply chain partnerships, lower impact materials, and circularity via our ongoing “Use Better, Use Longer, Use Again” campaign to extend product lifetimes and recyclability.

[Environmental Data explained >](#)

[How we assess product sustainability >](#)

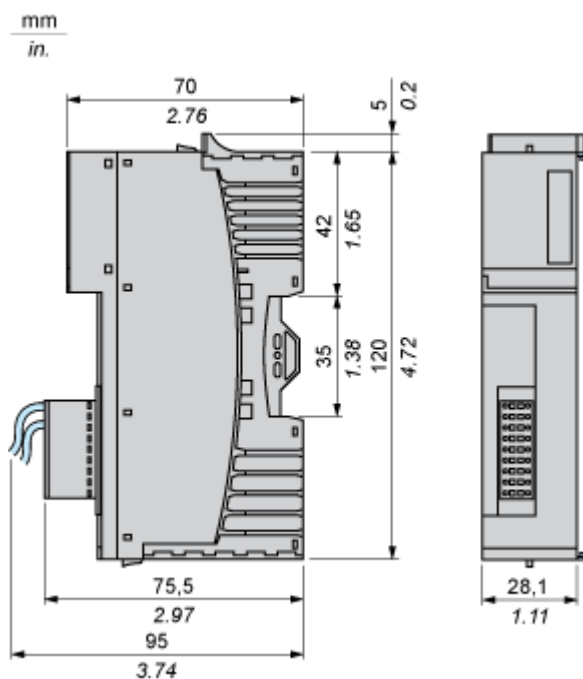
### Use Better

 <b>Materials and Substances</b>	
Packaging made with recycled cardboard	No
Packaging without single use plastic	Yes
<a href="#">EU RoHS Directive</a>	Pro-active compliance (Product out of EU RoHS legal scope)
SCIP Number	6830dd70-e4bc-47df-85c7-e41f888576f4

Dimensions Drawings

Dimensions

---



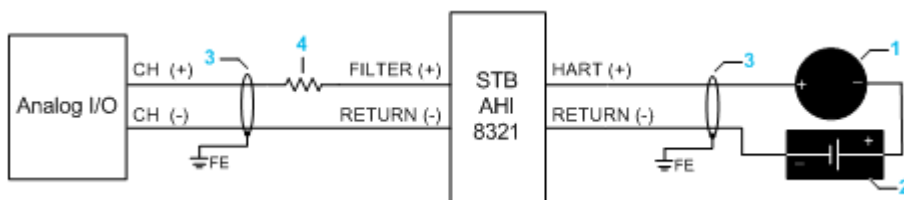
Connections and Schema

Wiring Diagram

Connection to the Removable Spring Type Terminals

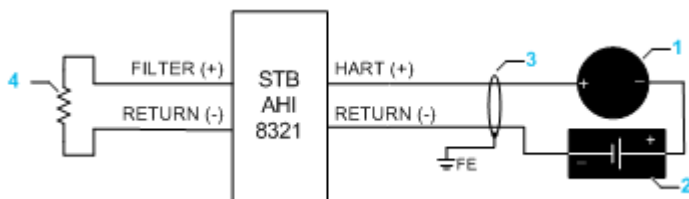
to Analog I/O	Pin		Pin	to HART instrument
FILTER_1 (+)	1		2	HART_1 (+)
RETURN_1 (-)	3		4	RETURN_1 (-)
FILTER_2 (+)	5		6	HART_2 (+)
RETURN_2 (-)	7		8	RETURN_2 (-)
FILTER_3 (+)	9		10	HART_3 (+)
RETURN_3 (-)	11		12	RETURN_3 (-)
FILTER_4 (+)	13		14	HART_4 (+)
RETURN_4 (-)	15		16	RETURN_4 (-)
Not Connected	17		18	Not Connected

Connection Using the HART Interface Module with I/O



- (1) HART field instrument
- (2) 24 Vdc external power supply.
- (3) FE ground connection
- (4) External resistor

Connection Using the HART Interface Module without I/O



- (1) HART field instrument

- (2) 24 Vdc external power supply.
- (3) FE ground connection
- (4) External resistor