



# WTB4-3P2100S13

Safeguard Detector

SAFETY SYSTEMS FOR AUTOMATING MATERIAL FLOWS

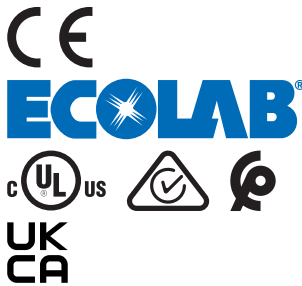
**SICK**  
Sensor Intelligence.



### Ordering information

Type	part no.
WTB4-3P2100S13	1075282

Other models and accessories → [www.sick.com/Safeguard\\_Detector](http://www.sick.com/Safeguard_Detector)



### Detailed technical data

#### Features

<b>Items supplied</b>	1 x WTB4-3P2100S13 replacement sensor
-----------------------	---------------------------------------

#### MultiPulse photoelectric proximity sensor

<b>Number of sensors</b>	1 piece
<b>Detection zone</b>	30 mm ... 100 mm <sup>1)</sup>
<b>Remission</b>	6 % ... 90 %
<b>Pulse frequency</b>	10 Hz
<b>Response time</b>	≤ 100 ms
<b>Type of light</b>	Visible red light
<b>Wave length</b>	650 nm
<b>Light spot size (distance)</b>	Ø 7 mm (50 mm)
<b>Connection type</b>	Connector M8, 3-pin
<b>Voltage supply</b>	Via Flexi Soft or via UE410-SD
<b>Enclosure rating</b>	IP67 (EN 60529)
<b>Ambient operating temperature</b>	-40 °C ... +60 °C

<sup>1)</sup> If no movable physical guard is identified in the detection zone, the safety controller prompts the machine to enter the safe state.

#### Certificates

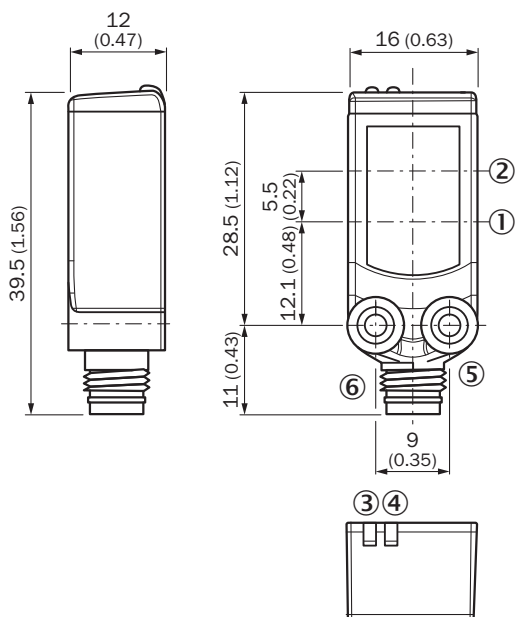
<b>EU declaration of conformity</b>	✓
<b>UK declaration of conformity</b>	✓
<b>ACMA declaration of conformity</b>	✓
<b>Moroccan declaration of conformity</b>	✓

<b>China-RoHS</b>	✓
<b>ECOLAB certificate</b>	✓
<b>cULus certificate</b>	✓
<b>Photobiological safety (DIN EN 62471) certificate</b>	✓

Classifications

<b>ECLASS 5.0</b>	27279090
<b>ECLASS 5.1.4</b>	27279090
<b>ECLASS 6.0</b>	27279090
<b>ECLASS 6.2</b>	27279090
<b>ECLASS 7.0</b>	27279090
<b>ECLASS 8.0</b>	27279090
<b>ECLASS 8.1</b>	27279090
<b>ECLASS 9.0</b>	27279090
<b>ECLASS 10.0</b>	27279090
<b>ECLASS 11.0</b>	27279090
<b>ECLASS 12.0</b>	27279090
<b>ETIM 5.0</b>	EC001449
<b>ETIM 6.0</b>	EC001449
<b>ETIM 7.0</b>	EC001449
<b>ETIM 8.0</b>	EC001449
<b>UNSPSC 16.0901</b>	32151705

Dimensional drawing



Dimensions in mm (inch)

## SICK AT A GLANCE

SICK is one of the leading manufacturers of intelligent sensors and sensor solutions for industrial applications. A unique range of products and services creates the perfect basis for controlling processes securely and efficiently, protecting individuals from accidents and preventing damage to the environment.

We have extensive experience in a wide range of industries and understand their processes and requirements. With intelligent sensors, we can deliver exactly what our customers need. In application centers in Europe, Asia and North America, system solutions are tested and optimized in accordance with customer specifications. All this makes us a reliable supplier and development partner.

Comprehensive services complete our offering: SICK LifeTime Services provide support throughout the machine life cycle and ensure safety and productivity.

For us, that is “Sensor Intelligence.”

## WORLDWIDE PRESENCE:

Contacts and other locations –[www.sick.com](http://www.sick.com)