

## Data sheet for SIMOTICS S-1FT2

Article No. : 1FT2108-7AC11-1MB0



Figure similar

Client order no. :  
Order no. :  
Offer no. :  
Remarks :

Item no. :  
Consignment no. :  
Project :

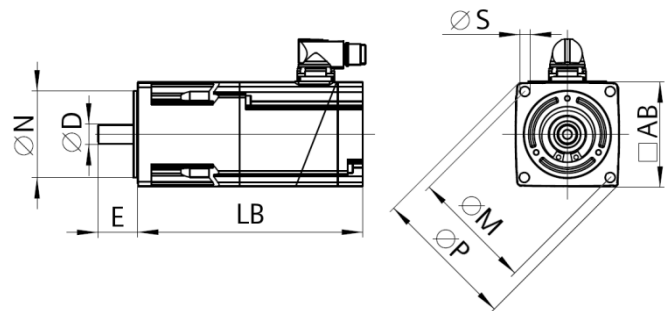
| Basic motor data        |   |
|-------------------------|---|
| Motor type              | Permanent-magnet synchronous motor, Natural cooling, IP65 |
| Motor type              | High Dynamic  |
| Static torque           | 37.50 Nm  |
| Static current          | 22.0 A  |
| Maximum torque          | 140.00 Nm   |
| Maximum current         | 123.0 A   |
| Maximum speed           | 5,600 rpm   |
| Rotor moment of inertia | 32.2000 kgcm <sup>2</sup>                                 |
| Weight                  | 27.7 kg   |

| Rated data                      |           |
|---------------------------------|-----------|
| SINAMICS S120, BLM/SLM 3AC 400V |           |
| Rated speed                     | 2,000 rpm |
| Rated torque                    | 26.00 Nm  |
| Rated current                   | 16.0 A    |
| Rated power                     | 5.40 kW   |

| Encoder system |   |
|----------------|---|
| Encoder system | Encoder AM22DQC: Absolute encoder 22 bit + 12 bit multiturn |

| Motor connection                |                                  |
|---------------------------------|----------------------------------|
| Connection type                 | Double cable connection for S120 |
| Connector size power connector  | M17                              |
| Connector size signal connector | M17                              |

| Mechanical data               |  |
|-------------------------------|--|
| Design acc. to Code I         | IM B5 (IM V1, IM V3)                       |
| Vibration severity grade      | Grade A                                    |
| Shaft height                  | 80   |
| Flange size (AB)              | 155 mm                                     |
| Centering ring (N)            | 130 mm                                     |
| Hole circle (M)               | 165 mm                                     |
| Screw-on hole (S)             | 11.0 mm                                    |
| Overall length (LB)           | 340 mm                                     |
| Diameter of shaft (D)         | 32 mm                                      |
| Length of shaft (E)           | 58 mm                                      |
| Length of flange diagonal (P) | 194 mm                                     |
| Shaft end                     | Fitted key                                 |
| Color of the housing          | Standard (Anthracite, similar to RAL 7016) |



| Holding brake                                 |             |
|---|-------------|
| Holding torque                                | 36.00 Nm    |
| Average dynamic torque                        | 15.00 Nm    |
| Opening time                                  | 200 ms      |
| Closing time                                  | 60 ms       |
| Maximum single switching energy <sup>1)</sup> | 1,300 J     |
| Service life, operating energy                | 2,400,000 J |
| Rated current <sup>2)</sup>                   | 0.9 A       |

<sup>1)</sup>Up to three consecutive emergency stops and up to 25% of all emergency stops as a Wmax high energy stop possible.

<sup>2)</sup>Typical value for 20°C ambient temperature. At -15°C the brake-induced currents can be increased by up to 30%.