

motor operator 110-230 V AC/110-250 V DC accessory for: 3VA52; 3VA61/62



Model	
product brand name	SENTRON
product designation	Motor operator (MO)
accessories	Motorized operating mechanism (MO)
General technical data	
make time / typical	1 s
break time / typical	1 s
Voltage	
type of voltage / of the operating voltage / for actuation	AC/DC
Rated control supply voltage U_s at AC 50 Hz	
• minimum	110 V
• maximum	230 V
• Rated control supply voltage U_s at AC 60 Hz / minimum	110 V
• Rated control supply voltage U_s at AC 60 Hz / maximum	230 V
Rated control supply voltage U_s with DC	
• minimum	110 V
• maximal	250 V
operating apparent power	250 VA
Mechanical Design	
height	75 mm
width	105 mm
depth	132 mm
connectable conductor cross-section / solid	
• minimum	1.5 mm ²
• maximum	2.5 mm ²
connectable conductor cross-section / finely stranded / with core end processing	
• minimum	1.5 mm ²
• maximum	2.5 mm ²
connectable conductor cross-section / stranded	
• minimum	1.5 mm ²
• maximum	2.5 mm ²
ambient temperature / during operation	
• minimum	-25 °C
• maximum	70 °C
ambient temperature / during storage	
• minimum	-40 °C
• maximum	80 °C
tightening torque	

<ul style="list-style-type: none"> • minimum • maximum 	0.36 N·m 0.44 N·m
ambient temperature / during storage	
<ul style="list-style-type: none"> • minimum • maximum 	-40 °C 80 °C

Connections according IEC

stripped length	7 mm
------------------------	------

Certificates

General Product Approval	EMV
---------------------------------	------------



[Miscellaneous](#)



Test Certificates	Maritime application	other	Dangerous goods	Environment
--------------------------	-----------------------------	--------------	------------------------	--------------------

[Type Test Certificates/Test Report](#)



[Confirmation](#)

[Miscellaneous](#)

[Transport Information](#)

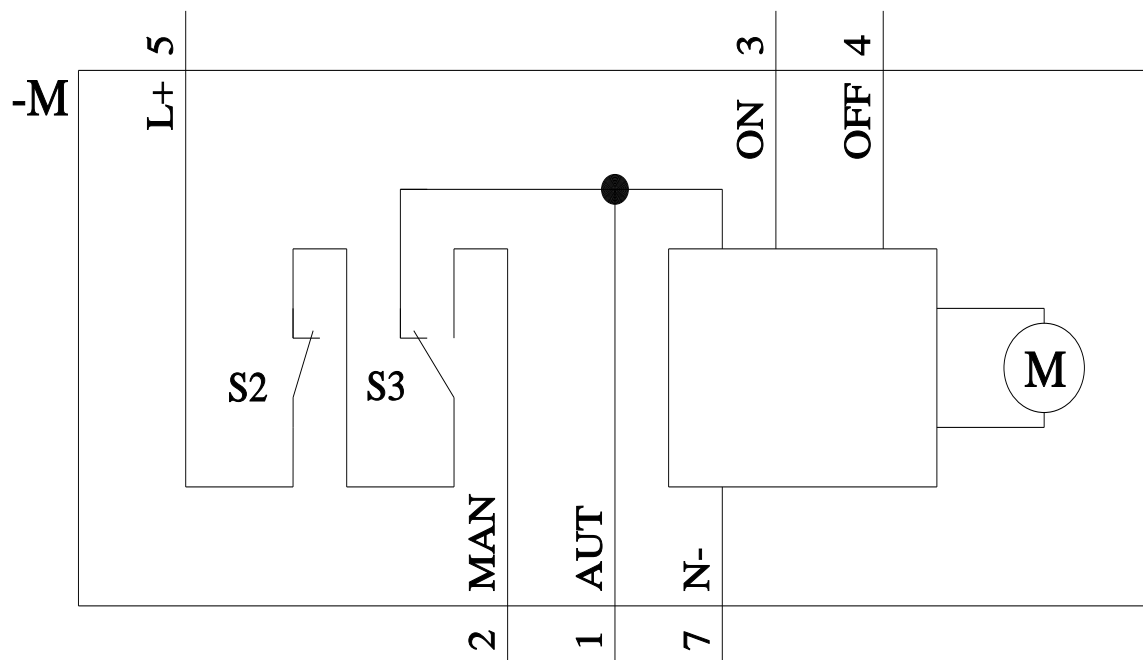
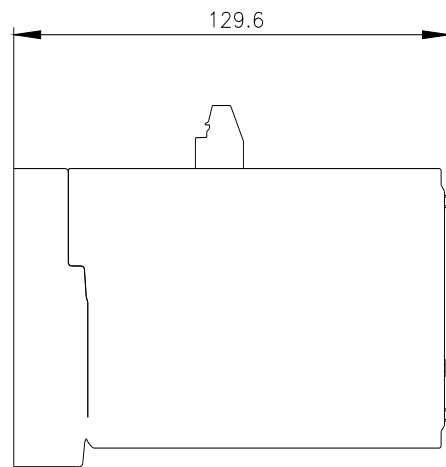
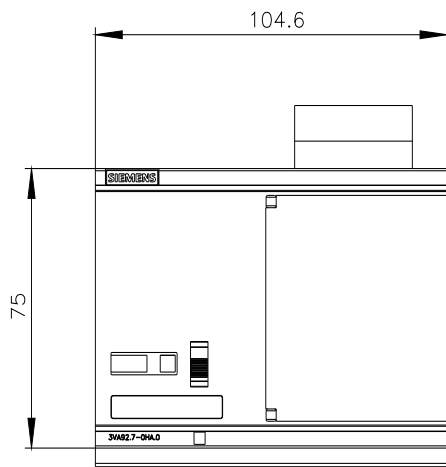
[Environmental Confirmations](#)

Environment

[Environmental Confirmations](#)

Further information

- Information on the packaging**
<https://support.industry.siemens.com/cs/ww/en/view/109813875>
- Information for data generation and storage**
<https://support.industry.siemens.com/cs/ww/en/view/109995012>
- Information- and Downloadcenter (Catalogs, Brochures,...)**
<http://www.siemens.com/lowvoltage/catalogs>
- Industry Mall (Online ordering system)**
<https://mall.industry.siemens.com/mall/en/en/Catalog/product?mlfb=3VA9277-0HA20>
- Service&Support (Manuals, Certificates, Characteristics, FAQs,...)**
<https://support.industry.siemens.com/cs/ww/en/ps/3VA9277-0HA20>
- Image database (product images, 2D dimension drawings, 3D models, device circuit diagrams, ...)**
http://www.automation.siemens.com/bilddb/cax_en.aspx?mlfb=3VA9277-0HA20
- CAX-Online-Generator**
<http://www.siemens.com/cax>
- Tender specifications**
<http://www.siemens.com/specifications>



last modified:

4/4/2025

