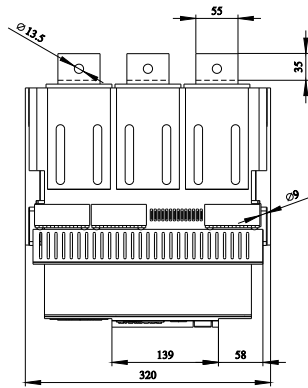
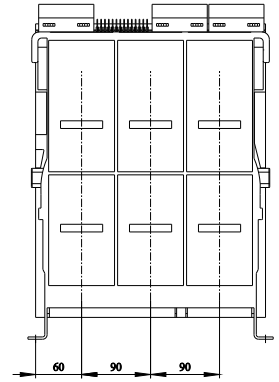
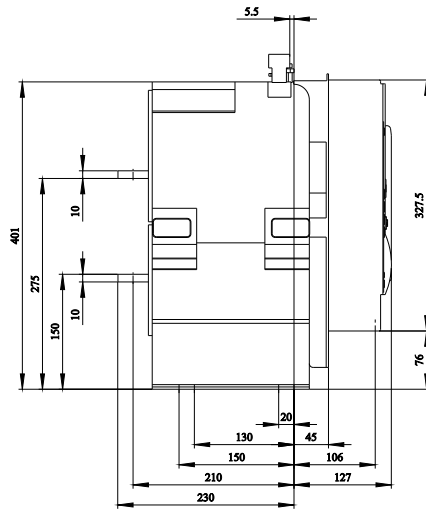
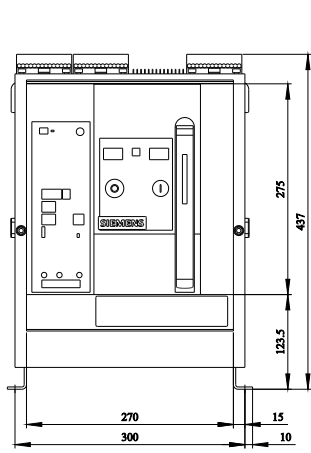
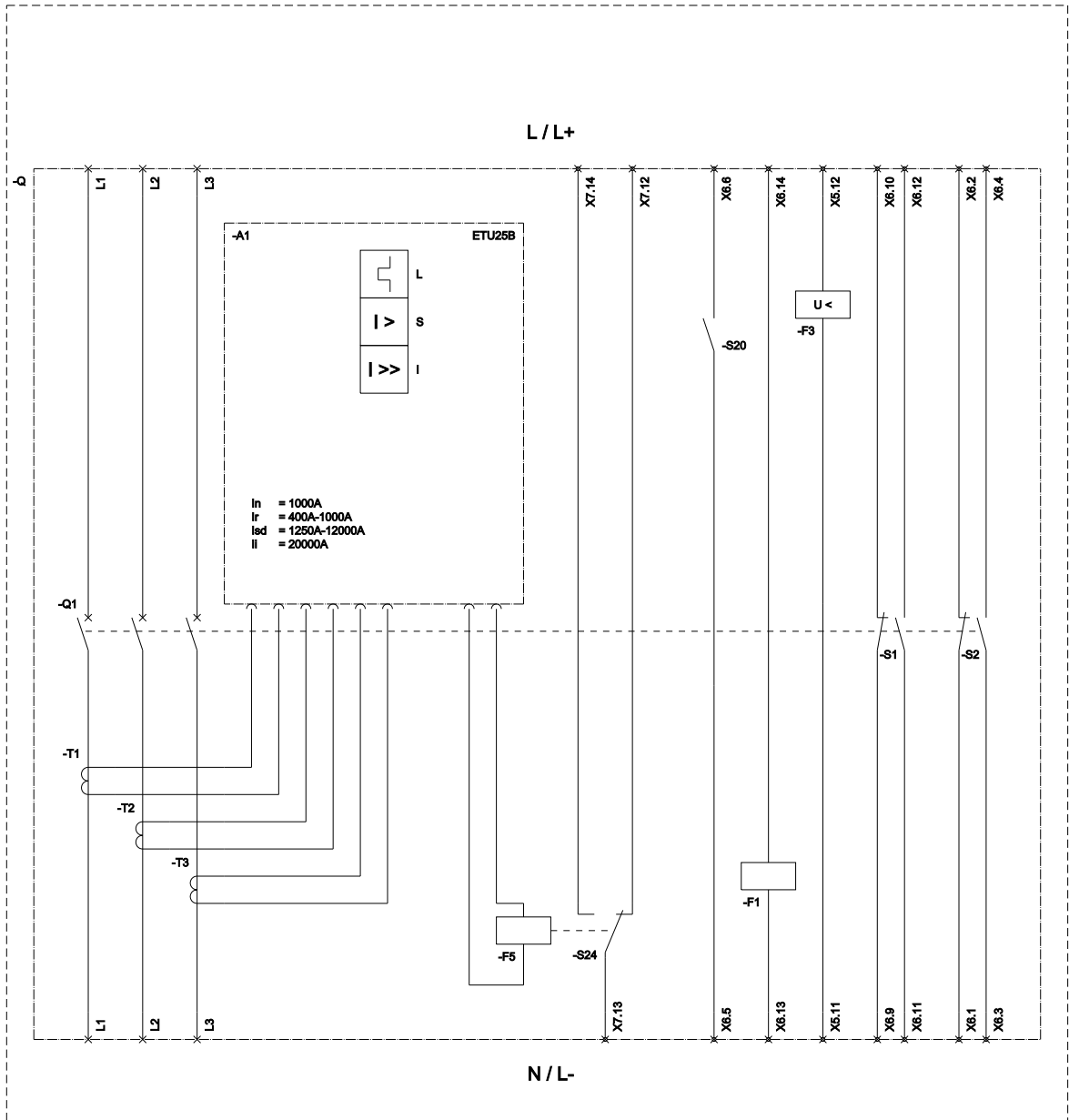


fixed-mounted circuit breaker 3-pole, size I, IEC In=1000A to 690V, AC50/60Hz Icu=66kA at 500V rear connection horizontal Overcurrent release ETU 25 LSI protection adjustable 0.4-1 in With manual operating mechanism with storage with mechanical request With 1st auxiliary release Shunt release "F", F1 24 V DC; 100% ON period With 2nd auxiliary release "R", F3 Undervoltage, instant. 24 V DC 2NO+2NC C22= Ready indicator K07= Tripped signaling contact, 1 CO not possible with option F02

| Model   |  |
|---|--|
| product brand name  | SENTRON  |
| product designation   | ACB  |
| design of the product   | IEC 60947-2  |
| design of the actuating element   | Pushbutton   |
| type of the driving mechanism   | Manual operating mechanism with mechanical closing |
| type of the driving mechanism / motor drive   | No   |
| design of the overcurrent release   | ETU25B   |
| General technical data  |  |
| number of poles   | 3  |
| size of the circuit-breaker   | 1  |
| utilization category  | B  |
| circuit-breaker / Design  | 3WL1   |
| Voltage   |  |
| Rated insulation voltage Ui   | 1 000 V  |
| insulation voltage / rated value  | 1 000 V  |
| operating voltage   |  |
| • at AC / at 50/60 Hz / rated value   | 690 V  |
| Protection class  |  |
| protection class IP   | IP20   |
| protection class IP / on the front  | IP20   |
| protection function of the overcurrent release  | LSI  |
| Dissipation   |  |
| power loss [W]  |  |
| • for rated value of the current / at AC / in hot operating state / per pole                          | 33.3 W   |
| • maximum   | 100 W  |
| Main circuit  |  |
| operating frequency   |  |
| • 1 / rated value   | 50 Hz  |
| • 2 / rated value   | 60 Hz  |
| Auxiliary circuit   |  |
| number of NC contacts / for auxiliary contacts  | 2  |
| number of NO contacts / for auxiliary contacts  | 2  |
| Suitability   |  |
| suitability for use   | Plant / motor protection                           |
| Adjustable parameters   |  |
| adjustable current response value current / of the current-dependent overload release / initial value | 400 A  |
| Product details   |  |
| product component   |  |
| • trip indicator  | Yes  |
| • voltage trigger   | Yes  |
| • undervoltage release  | Yes  |
| design of the auxiliary switch  | 2 NO + 2 NC  |
| product extension / optional / motor drive  | Yes  |
| Product function  |  |

|   |                                      |
|---|--------------------------------------|
| <b>product function</b>   |                                      |
| • grounding protection  | No                                   |
| • phase failure detection   | Yes                                  |
| <b>Display and operation</b>  |                                      |
| <b>display version</b>  | without display                      |
| <b>Short circuit</b>  |                                      |
| <b>operating short-circuit current breaking capacity (Ics)</b>  |                                      |
| • at 415 V / rated value  | 66 kA                                |
| • at 500 V / rated value  | 66 kA                                |
| • at 690 V / rated value  | 50 kA                                |
| <b>maximum short-circuit current breaking capacity (Icu)</b>  |                                      |
| • at 415 V / rated value  | 66 kA                                |
| • at 500 V / rated value  | 66 kA                                |
| • at 690 V / rated value  | 50 kA                                |
| <b>Connections</b>  |                                      |
| arrangement of electrical connectors / for main current circuit   | Main connection rear side horizontal |
| type of electrical connection / for main current circuit  | busbar connection                    |
| <b>Mechanical Design</b>  |                                      |
| <b>height</b>   | 439.5 mm                             |
| <b>width</b>  | 320 mm                               |
| <b>depth</b>  | 337 mm                               |
| <b>fastening method</b>   | fixed mounting                       |
| <b>Net Weight</b>   | 43 kg                                |
| <b>Environmental conditions</b>   |                                      |
| <b>ambient temperature / during operation</b>   |                                      |
| • minimum   | -20 °C                               |
| • maximum   | 70 °C                                |
| <b>ambient temperature / during storage</b>   |                                      |
| • minimum   | -40 °C                               |
| • maximum   | 70 °C                                |
| <b>Further information</b>  |                                      |
| <b>Information on the packaging</b><br><a href="https://support.industry.siemens.com/cs/ww/en/view/109813875">https://support.industry.siemens.com/cs/ww/en/view/109813875</a>  |                                      |
| <b>Information for data generation and storage</b><br><a href="https://support.industry.siemens.com/cs/ww/en/view/109995012">https://support.industry.siemens.com/cs/ww/en/view/109995012</a>   |                                      |
| <b>Industry Mall (Online ordering system)</b><br><a href="https://mall.industry.siemens.com/mall/en/en/Catalog/product?mlfb=3WL1110-3CB32-1BJ2-Z_C22+K07">https://mall.industry.siemens.com/mall/en/en/Catalog/product?mlfb=3WL1110-3CB32-1BJ2-Z_C22+K07</a>  |                                      |
| <b>Service&amp;Support (Manuals, Certificates, Characteristics, FAQs,...)</b><br><a href="https://support.industry.siemens.com/cs/ww/en/ps/3WL1110-3CB32-1BJ2-Z_C22+K07">https://support.industry.siemens.com/cs/ww/en/ps/3WL1110-3CB32-1BJ2-Z_C22+K07</a>  |                                      |
| <b>Image database (product images, 2D dimension drawings, 3D models, device circuit diagrams, ...)</b><br><a href="http://www.automation.siemens.com/bilddb/cax_en.aspx?mlfb=3WL1110-3CB32-1BJ2-Z_C22+K07">http://www.automation.siemens.com/bilddb/cax_en.aspx?mlfb=3WL1110-3CB32-1BJ2-Z_C22+K07</a> |                                      |
| <b>CAX-Online-Generator</b><br><a href="http://www.siemens.com/cax">http://www.siemens.com/cax</a>  |                                      |
| <b>Tender specifications</b><br><a href="http://www.siemens.com/specifications">http://www.siemens.com/specifications</a>   |                                      |





L (Long Time Delay / Überlastschutz); S (Short Time Delay / Kurzschlusschutz, kurzzeitverzögert); I (Instantaneous / Kurzschlusschutz, unverzögert);  
 F1 (1st auxiliary release / Erster Hilfsauslöser); F3 (Undervoltage release / Unterspannungsauslöser); F5 (Magnet for trip unit / Auslösemagnet); S1 - S8 (Auxiliary switch / Hilfschalter);  
 S20 (Ready to close signaling switch / Einschaltbereitschaftsmeldesalter); S24 (1st trip signaling switch K07 (Reset position) / Erster Ausgelöstmeldesalter K07 (Reset Position));

last modified:

4/5/2020

