

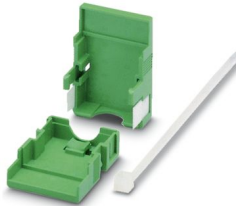
KGG-MC 1,5/ 2 - Cable housing

1834343

<https://www.phoenixcontact.com/gb/products/1834343>

Please be informed that the data shown in this PDF document is generated from our online catalog. Please find the complete data in the user documentation. Our general terms of use for downloads are valid.

Cable housing, product range: KGG-MC 1,5, width: 14.5 mm



Commercial data

Item number	1834343
Packing unit	10 pc
Minimum order quantity	10 pc
Sales key	AAHZDB
Product key	AAHZDB
GTIN	4017918051860
Weight per piece (including packing)	3.58 g
Weight per piece (excluding packing)	3.01 g
Customs tariff number	39269097
Country of origin	PL

KGG-MC 1,5/ 2 - Cable housing

1834343

<https://www.phoenixcontact.com/gb/products/1834343>

Technical data

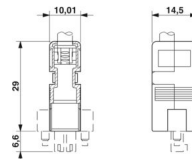
Product properties

Product type	Cable housing
Product family	KGG-MC 1,5
Number of positions	2
Pitch	3.81 mm

Material specifications

Flammability rating according to UL 94	HB
Insulating material	ABS
Insulating material group	I
CTI according to IEC 60112	600
Flammability rating according to UL 94	HB

Dimensions

Dimensional drawing	
Width	14.5 mm
Height	35.6 mm
Pitch	3.81 mm

KGG-MC 1,5/ 2 - Cable housing

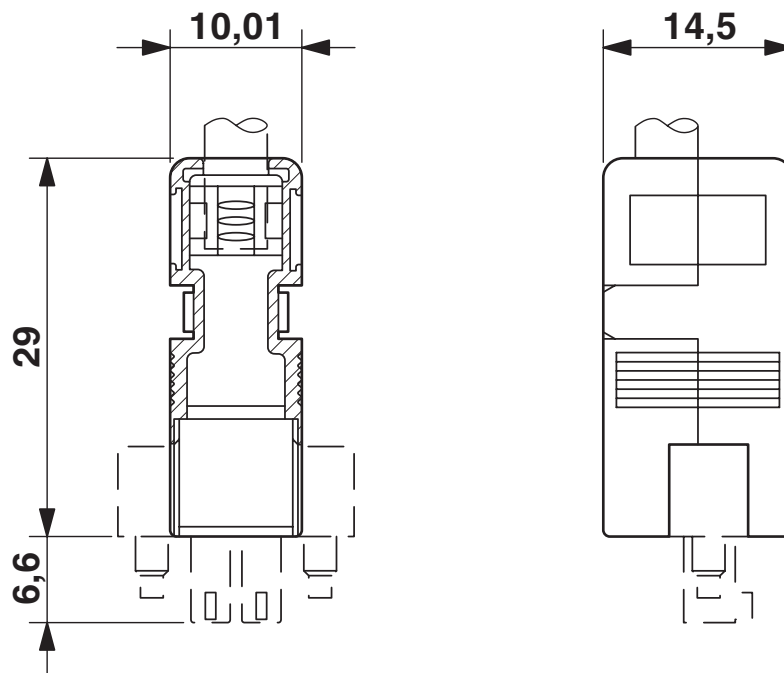
1834343

<https://www.phoenixcontact.com/gb/products/1834343>



Drawings

Dimensional drawing



KGG-MC 1,5/ 2 - Cable housing



1834343

<https://www.phoenixcontact.com/gb/products/1834343>

Classifications

ECLASS

ECLASS-13.0	27460402
ECLASS-15.0	27460402

ETIM

ETIM 9.0	EC002943
----------	----------

UNSPSC

UNSPSC 21.0	39121400
-------------	----------

KGG-MC 1,5/ 2 - Cable housing



1834343

<https://www.phoenixcontact.com/gb/products/1834343>

Environmental product compliance

EU RoHS

Fulfills EU RoHS substance requirements	Yes, No exemptions
-----------------------------------------	--------------------

China RoHS

Environment friendly use period (EFUP)	EFUP-E
	No hazardous substances above the limits

EU REACH SVHC

REACH candidate substance (CAS No.)	No substance above 0.1 wt%
-------------------------------------	----------------------------

EF3.0 Climate Change

CO2e kg	0.043 kg CO2e
---------	---------------

Phoenix Contact 2025 © - all rights reserved
<https://www.phoenixcontact.com>

PHOENIX CONTACT Ltd
Halesfield 13, Telford
Shropshire, TF7 4PG
01952 681700
info@phoenixcontact.co.uk