

IB ST 24 V.24 - Function module

2725480

<https://www.phoenixcontact.com/gb/products/2725480>

Please be informed that the data shown in this PDF document is generated from our online catalog. Please find the complete data in the user documentation. Our general terms of use for downloads are valid.



INTERBUS-ST module, with RS-232-C, RS-485 and RS-422 interface, for serial data transmission, IP20 protection, V.24

Product description

INTERBUS ST serial transmission

The IB ST 24 V.24 module provides the option of connecting intelligent I/O equipment without an INTERBUS interface to an INTERBUS system, such as automation devices, protocol printers, identification systems, or process controllers.

For the serial transmission of data, the RS 232, RS 485 and RS 422 standard interfaces are integrated in the module. The interfaces can be set to up to 19200 baud. In the transmitting and receiving direction, the user has a 4 Kbyte buffer memory at his/her disposal.

Connection is made using an 8-pos. MINI-COMBICON connector. Mounting is user-friendly – simply snap it on to a DIN rail.

Commercial data

Item number	2725480
Packing unit	1 pc
Minimum order quantity	1 pc
Sales key	DRI351
Product key	DRI351
GTIN	4017918154295
Weight per piece (including packing)	291.8 g
Weight per piece (excluding packing)	220 g
Customs tariff number	85389091
Country of origin	DE

IB ST 24 V.24 - Function module

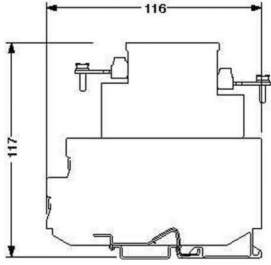


2725480

<https://www.phoenixcontact.com/gb/products/2725480>

Technical data

Dimensions

Dimensional drawing	
Width	44 mm
Height	117 mm

Material specifications

Color	green
-------	-------

Interfaces

Output buffer	4 kByte
Input buffer	4 kByte

ST local bus

Connection method	ST local bus connector
Transmission speed	110 ... 19200 bps (programmable)

Product properties

Product type	I/O component
Product family	Smart Terminal ST
Type	modular INTERBUS Smart Terminal
Hardware handshake	RTS/CTS and DTR/DSR at RS-232-C

Electrical properties

Supply: Module electronics

Connection method	ST local bus connector
Designation	Communications power
Supply voltage	9 V DC (from the ST local bus)
Current consumption	typ. 130 mA (from the ST local bus)

Supply: Periphery supply voltage

Designation	U_S
Supply voltage	24 V DC
Supply voltage range	20 V DC ... 30 V DC

IB ST 24 V.24 - Function module



2725480

<https://www.phoenixcontact.com/gb/products/2725480>

Electrical isolation/isolation of the voltage ranges

Test voltage: Interfaces/Logic	500 V AC, 50 Hz, 1 min
Test voltage: Interfaces/24 V supply	500 V AC, 50 Hz, 1 min
Test voltage: Interfaces/Bus	500 V AC, 50 Hz, 1 min
Test voltage: Interfaces/Ground conductor	500 V AC, 50 Hz, 1 min
Test voltage: 24 V supply/Bus	500 V AC, 50 Hz, 1 min
Test voltage: 24 V supply/Ground conductor	500 V AC, 50 Hz, 1 min

Connection data

Conductor connection

Connection method	Screw connection
Conductor cross-section rigid	0.2 mm ² ... 2.5 mm ²
Conductor cross-section flexible	0.2 mm ² ... 2.5 mm ²
Conductor cross-section AWG	24 ... 12
Stripping length	8 mm
Connection method	Screw connection
Conductor cross-section, rigid	0.2 mm ² ... 2.5 mm ²
Conductor cross-section, flexible	0.2 mm ² ... 2.5 mm ²
Conductor cross-section AWG	24 ... 12
Stripping length	8 mm

Environmental and real-life conditions

Ambient conditions

Degree of protection	IP20
----------------------	------

Mounting

Mounting type	DIN rail mounting
---------------	-------------------

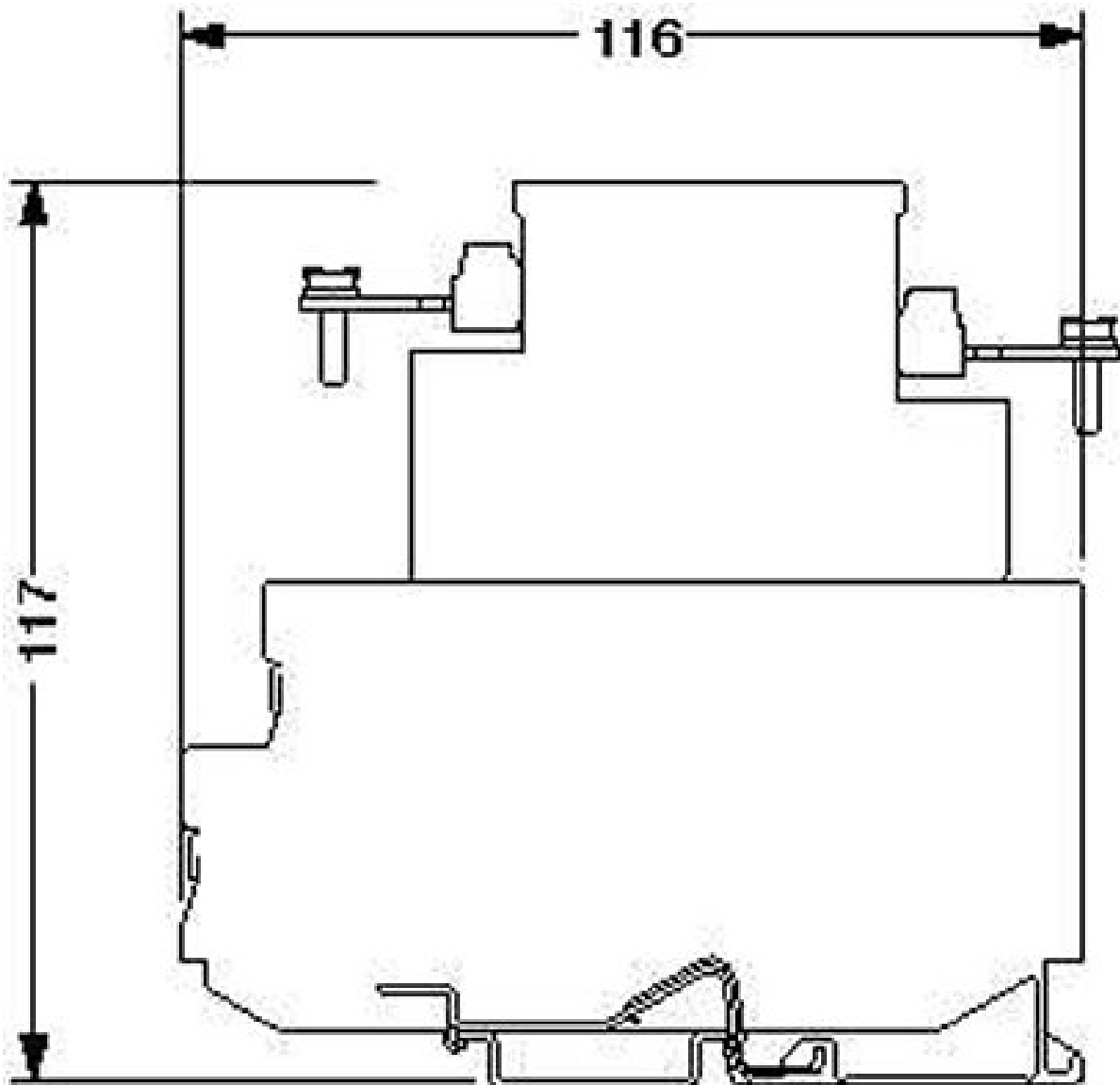
IB ST 24 V.24 - Function module

2725480

<https://www.phoenixcontact.com/gb/products/2725480>

Drawings

Dimensional drawing



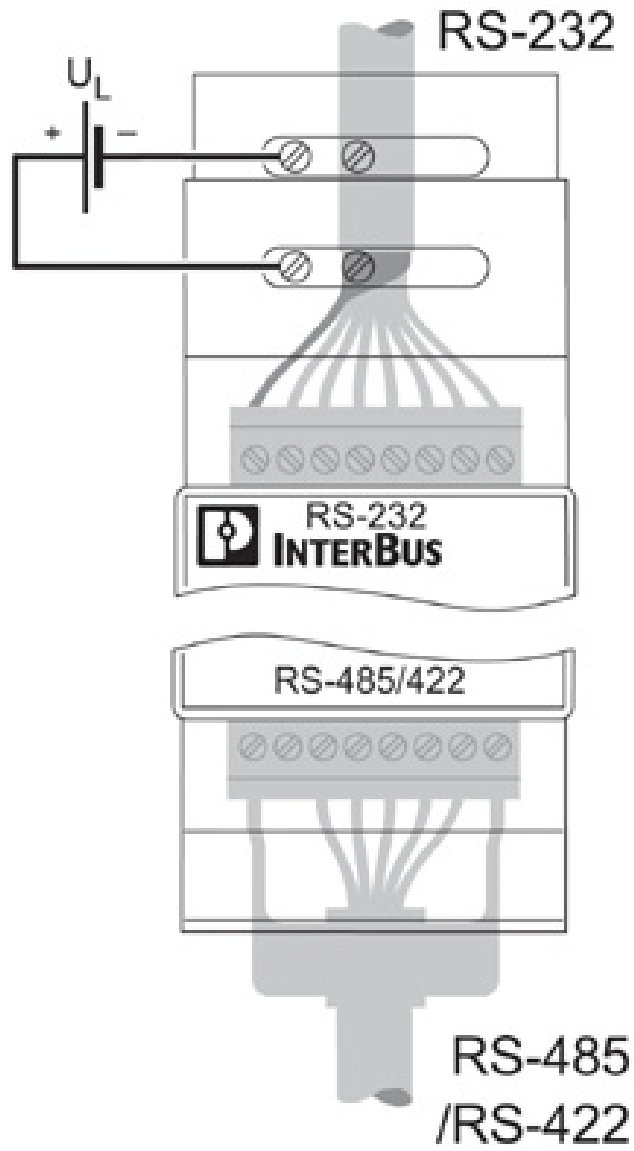
IB ST 24 V.24 - Function module

2725480

<https://www.phoenixcontact.com/gb/products/2725480>



Connection diagram



IB ST 24 V.24 - Function module



2725480

<https://www.phoenixcontact.com/gb/products/2725480>

Classifications

ECLASS

ECLASS-13.0	27242605
ECLASS-15.0	27242605

ETIM

ETIM 8.0	EC001601
----------	----------

UNSPSC

UNSPSC 21.0	32151600
-------------	----------

2725480

<https://www.phoenixcontact.com/gb/products/2725480>

Environmental product compliance

EU RoHS

Fulfills EU RoHS substance requirements	Yes
Exemption	6(c), 7(a), 7(c)-I

China RoHS

Environment friendly use period (EFUP)	EFUP-50
	An article-related China RoHS declaration table can be found in the download area for the respective article under "Manufacturer declaration". For all articles with EFUP-E, no China RoHS declaration table issued and required.

EU REACH SVHC

REACH candidate substance (CAS No.)	Lead(CAS: 7439-92-1)
-------------------------------------	----------------------

Phoenix Contact 2025 © - all rights reserved
<https://www.phoenixcontact.com>

PHOENIX CONTACT Ltd
Halesfield 13, Telford
Shropshire, TF7 4PG
01952 681700
info@phoenixcontact.co.uk