

# ANT-OMNI-868-01 - Antenna

2702136

<https://www.phoenixcontact.com/gb/products/2702136>

Please be informed that the data shown in this PDF document is generated from our online catalog. Please find the complete data in the user documentation. Our general terms of use for downloads are valid.



Omnidirectional antenna for wall or mast mounting, 868 MHz, gain: 4 dBi, degree of protection: IP67, seawater-resistant, connection: N (female), incl. mounting bracket and mast clamps, ATEX and IECEx approval

## Your advantages

- Ideally suited for stationary 868 MHz applications
- For use in potentially explosive areas
- Resistant to salt water

## Commercial data

Item number	2702136
Packing unit	1 pc
Minimum order quantity	1 pc
Sales key	DNC6A2
Product key	DNC6A2
GTIN	4046356995863
Weight per piece (including packing)	285 g
Weight per piece (excluding packing)	285 g
Customs tariff number	85177100
Country of origin	TW

## Technical data

### Notes

#### Note on application

Note on application	Only for industrial use
---------------------	-------------------------

#### Utilization restriction

CCCex note	Use in potentially explosive areas is not permitted in China.
------------	---

### Product properties

Product type	Antenna
Scope of supply	included mounting bracket and mast clamps
Radiation characteristics	Omnidirectional
Gain	4 dBi
Vertical beamwidth	30 °
Horizontal beamwidth	360 °
Polarization	Linear vertical

### Electrical properties

Frequency band	868 MHz
Frequency range	868 MHz ... 870 MHz
Impedance	50 Ω
Maximum capacity	15.00 W
Voltage standing wave ratio VSWR in a 50 Ω system	≤ 2.00

### Connection data

#### Connection technology

Connection method	N (female)
Outside diameter	30 mm ... 45 mm (Mast)

### Ex data

#### Safety data

Input voltage $U_i$	30 V
Input current $I_i$	600 mA
Max. internal inductance $L_i$	negligible
Capacitance $C_i$	negligible

### Dimensions

Height	620 mm
Diameter	20 mm

#### External dimensions

Outside diameter	30 mm ... 45 mm (Mast)
------------------	------------------------

## Material specifications

Material (Radom)	Plastic (glass-fiber reinforced)
Material (Holder)	Plastic (glass-fiber reinforced)
Material (U-bolt)	Stainless steel V2A

## Cable/line

Other resistance	salt water resistant
------------------	----------------------

## Environmental and real-life conditions

### Ambient conditions

Degree of protection	IP67
Ambient temperature (operation)	-40 °C ... 75 °C
Ambient temperature (storage/transport)	-40 °C ... 85 °C

## Approvals

### CE

Certificate	CE-compliant
-------------	--------------

### ATEX

Identification	⊕ II 1G Ex ia IIC T6 Ga
Certificate	IBExU14ATEX1116 X
Note	Please follow the special installation instructions in the documentation!

### IECEX

Identification	Ex ia IIC T6 Ga
Certificate	IECEX IBE 14.0039X

## Standards and regulations

Other resistance	salt water resistant
Standards/specifications	EN 60079-0
	EN 60079-11
	EN 60079-26
Note	Explosion protection

## Mounting

Mounting type	Panel mounting
	Mast mounting
Assembly note	Outdoors and indoors

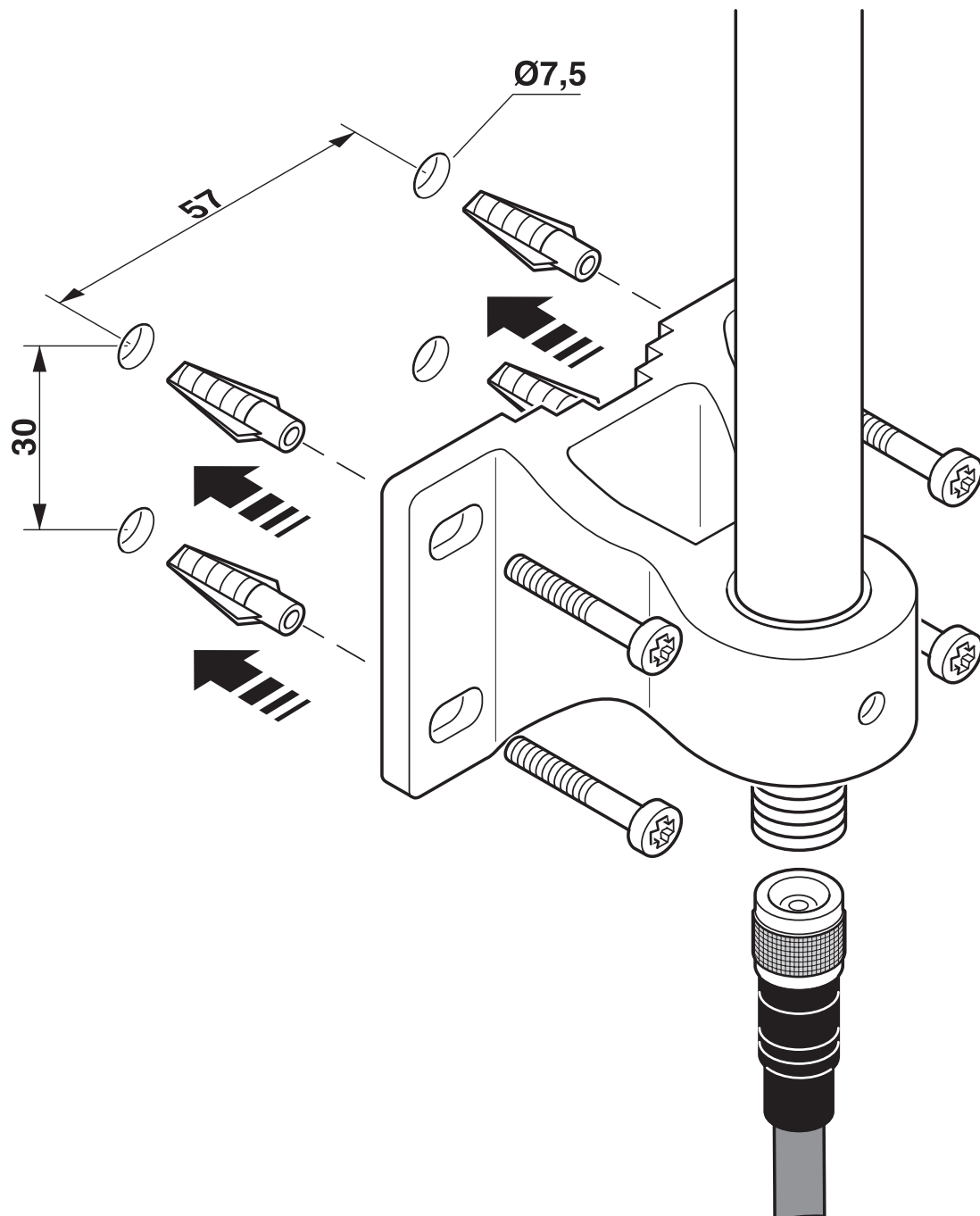
# ANT-OMNI-868-01 - Antenna

2702136

<https://www.phoenixcontact.com/gb/products/2702136>

## Drawings

Schematic diagram



Panel mounting

# ANT-OMNI-868-01 - Antenna

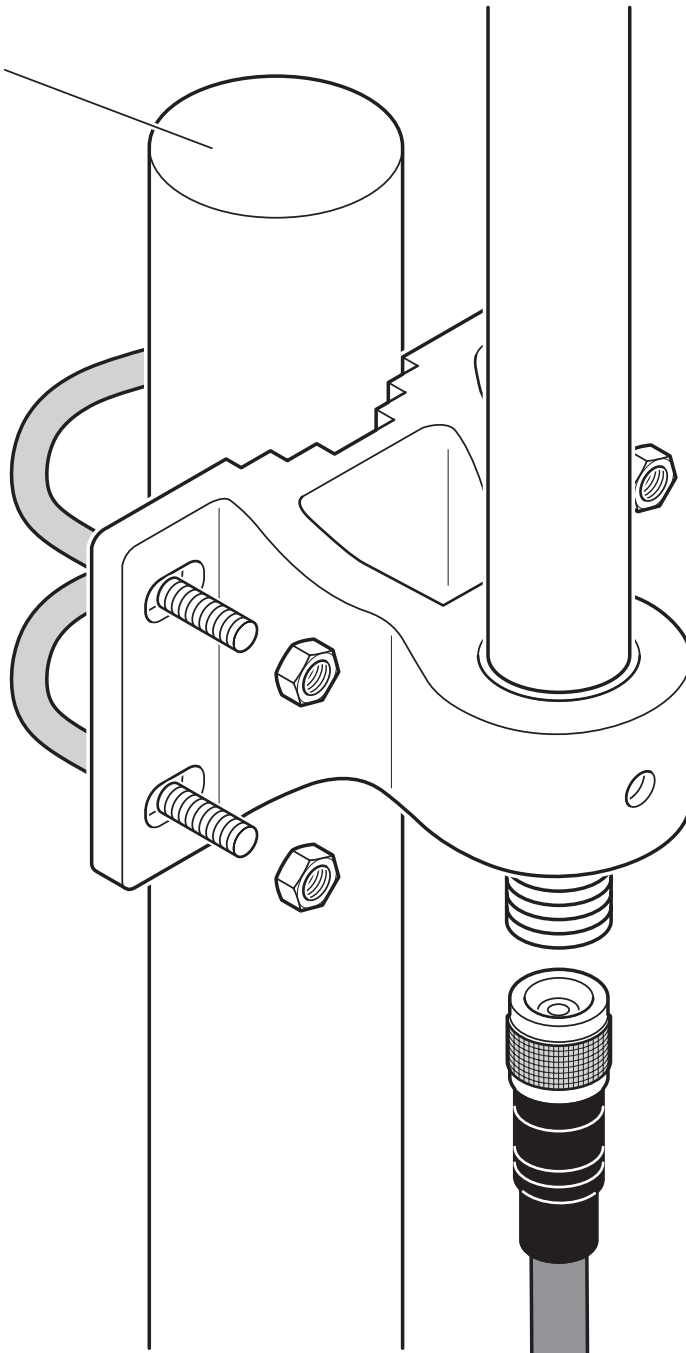
2702136

<https://www.phoenixcontact.com/gb/products/2702136>



Schematic diagram

Ø30 - 45



Mast mounting

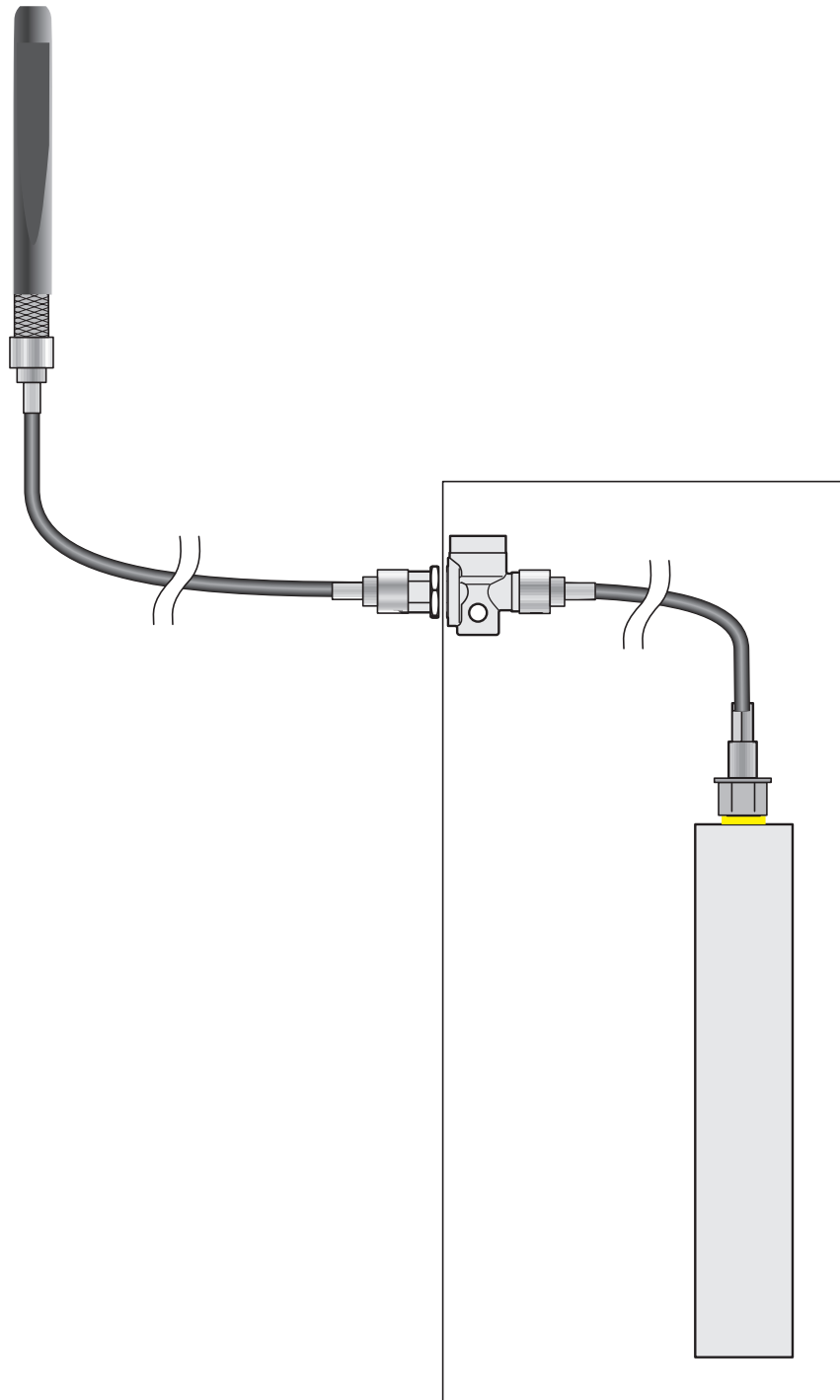
# ANT-OMNI-868-01 - Antenna

2702136

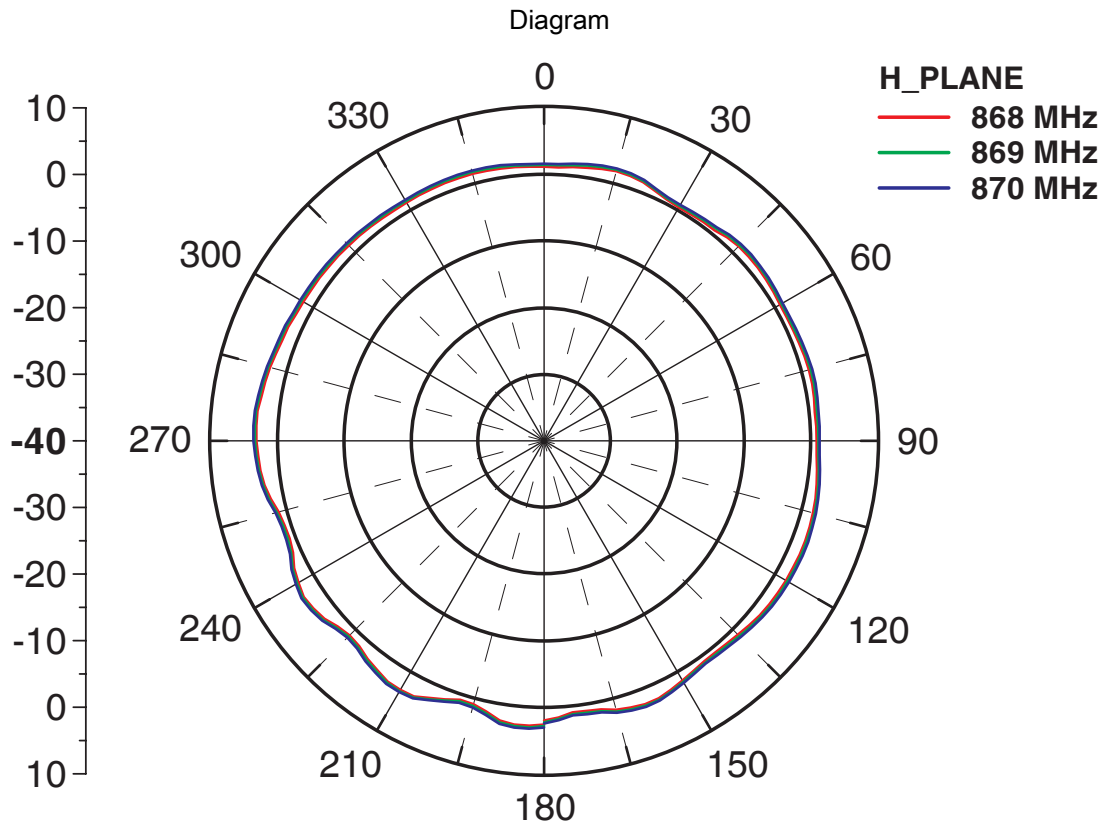
<https://www.phoenixcontact.com/gb/products/2702136>



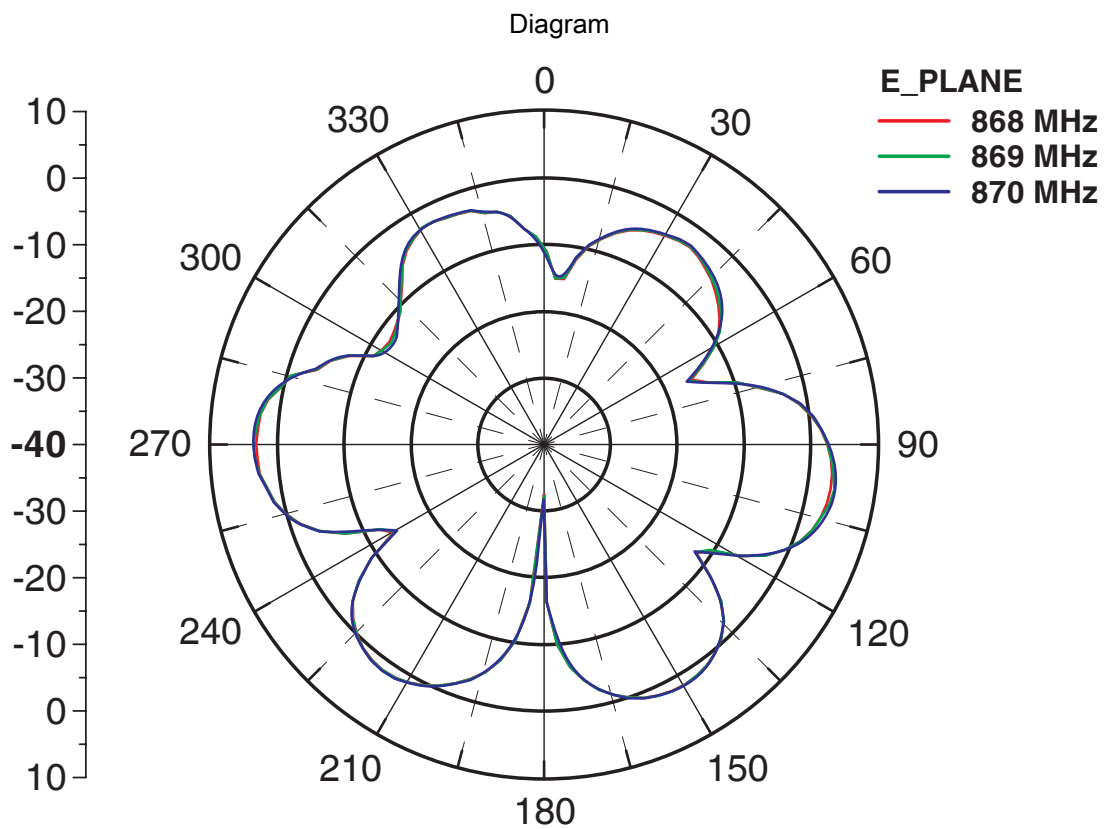
Schematic diagram



Installation example (antenna cable and surge protection available as accessories)



Horizontal



Vertical

# ANT-OMNI-868-01 - Antenna



2702136

<https://www.phoenixcontact.com/gb/products/2702136>

## Classifications

### ECLASS

ECLASS-13.0	19070105
ECLASS-15.0	19070105

### ETIM

ETIM 9.0	EC001698
----------	----------

### UNSPSC

UNSPSC 21.0	43223100
-------------	----------

2702136

<https://www.phoenixcontact.com/gb/products/2702136>

## Environmental product compliance

### EU RoHS

Fulfills EU RoHS substance requirements	Yes
Exemption	6(c)

### China RoHS

Environment friendly use period (EFUP)	EFUP-50
	An article-related China RoHS declaration table can be found in the download area for the respective article under "Manufacturer declaration". For all articles with EFUP-E, no China RoHS declaration table issued and required.

### EU REACH SVHC

REACH candidate substance (CAS No.)	Lead(CAS: 7439-92-1)
SCIP	960ecf91-e715-450a-9d9d-c76a8be12acc

Phoenix Contact 2025 © - all rights reserved

<https://www.phoenixcontact.com>

PHOENIX CONTACT Ltd  
Halesfield 13, Telford  
Shropshire, TF7 4PG  
01952 681700  
[info@phoenixcontact.co.uk](mailto:info@phoenixcontact.co.uk)