

ANT-DIR-868-01 - Antenna

2702137

<https://www.phoenixcontact.com/gb/products/2702137>

Please be informed that the data shown in this PDF document is generated from our online catalog. Please find the complete data in the user documentation. Our general terms of use for downloads are valid.

Directional antenna for mast or panel mounting, frequency band: 868 MHz, gain: 3.5 dBi, circular polarized, degree of protection: IP67, shockproof: IK06, seawater-resistant, connection: N (female), incl. mounting bracket and mast clamps, ATEX and IECEx approval



Your advantages

- Ideally suited for stationary or linear mobile 868 MHz applications
- For applications in reflective environments
- For use in potentially explosive areas
- Resistant to salt water

Commercial data

Item number	2702137
Packing unit	1 pc
Minimum order quantity	1 pc
Sales key	DNC6A2
Product key	DNC6A2
GTIN	4055626006512
Weight per piece (including packing)	519.2 g
Weight per piece (excluding packing)	519.2 g
Customs tariff number	85177100
Country of origin	PL

Technical data

Notes

Note on application

Note on application	Only for industrial use
---------------------	-------------------------

Utilization restriction

CCCex note	Use in potentially explosive areas is not permitted in China.
------------	---

Product properties

Product type	Antenna
Scope of supply	included mounting bracket and mast clamps
Radiation characteristics	Directional
Gain	3.5 dBi
Vertical beamwidth	90 °
Horizontal beamwidth	135 °
Polarization	Circular clockwise

Electrical properties

Frequency band	868 MHz
Frequency range	868 MHz ... 870 MHz
Impedance	50 Ω
Maximum capacity	10.00 W
Voltage standing wave ratio VSWR in a 50 Ω system	≤ 2.00

Connection data

Connection technology

Connection method	N (female)
Outside diameter	25 mm ... 85 mm (Mast)

Ex data

Safety data

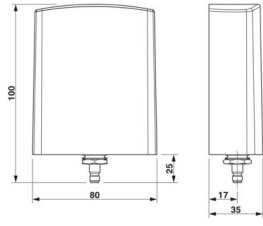
Input voltage U_i	30 V
Input current I_i	600 mA
Max. internal inductance L_i	negligible
Capacitance C_i	negligible

Dimensions

ANT-DIR-868-01 - Antenna

2702137

<https://www.phoenixcontact.com/gb/products/2702137>

Dimensional drawing	
Width	80 mm
Height	100 mm
Length	35 mm

External dimensions	
Outside diameter	25 mm ... 85 mm (Mast)

Material specifications

Material (Radom)	Lexan EXL 9330
Material (Holder)	Stainless steel V2A
Material (Mast clamp)	Stainless steel V2A
Flammability rating according to UL 94	V0

Cable/line

Other resistance	salt water resistant
------------------	----------------------

Environmental and real-life conditions

Ambient conditions	
Degree of protection	IP67
Impact strength	IK06
Ambient temperature (operation)	-40 °C ... 75 °C
Ambient temperature (storage/transport)	-40 °C ... 85 °C
Wind velocity	220 km/h

Approvals

CE	
Certificate	CE-compliant

ATEX	
Identification	Ⓔ II 1G Ex ia IIC T6 Ga
Certificate	IBExU14ATEX1116 X
Note	Please follow the special installation instructions in the documentation!

IECEX	
Identification	Ex ia IIC T6 Ga
Certificate	IECEX IBE 14.0039X

Electronic devices in rail vehicles

Shock (operation)	In accordance with EN 50125-3, positioning profile: "away from the rails"
Vibration (operation)	In accordance with EN 50125-3, positioning profile: "away from the rails"

Standards and regulations

Other resistance	salt water resistant
Standards/specifications	EN 60079-0
	EN 60079-11
	EN 60079-26
Note	Explosion protection
Standards/specifications	EN 50155
Note	Railway application
Standards/specifications	EN 45545-2
	NFPA 130
	BS 6853
Note	Fire protection on railway vehicles

Mounting

Mounting type	Panel mounting
	Mast mounting
Assembly note	Outdoors and indoors

ANT-DIR-868-01 - Antenna

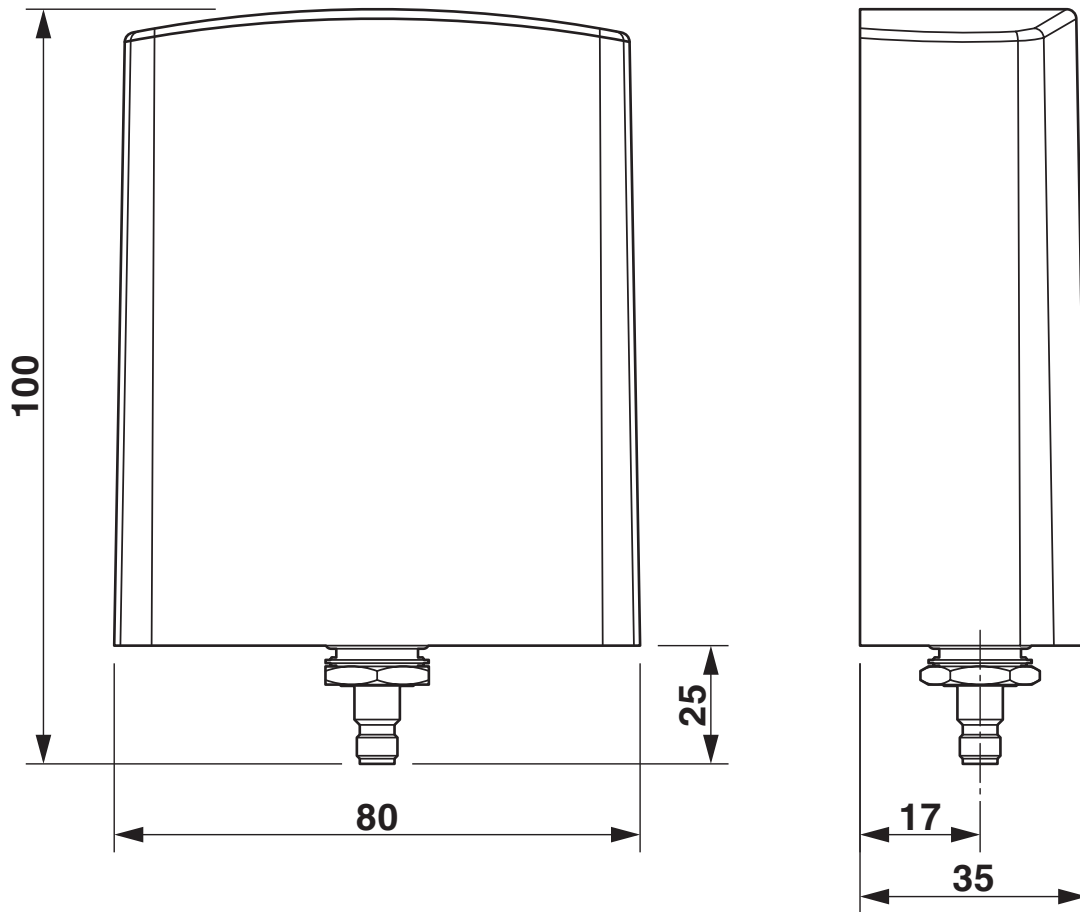
2702137

<https://www.phoenixcontact.com/gb/products/2702137>



Drawings

Dimensional drawing



Housing dimensions

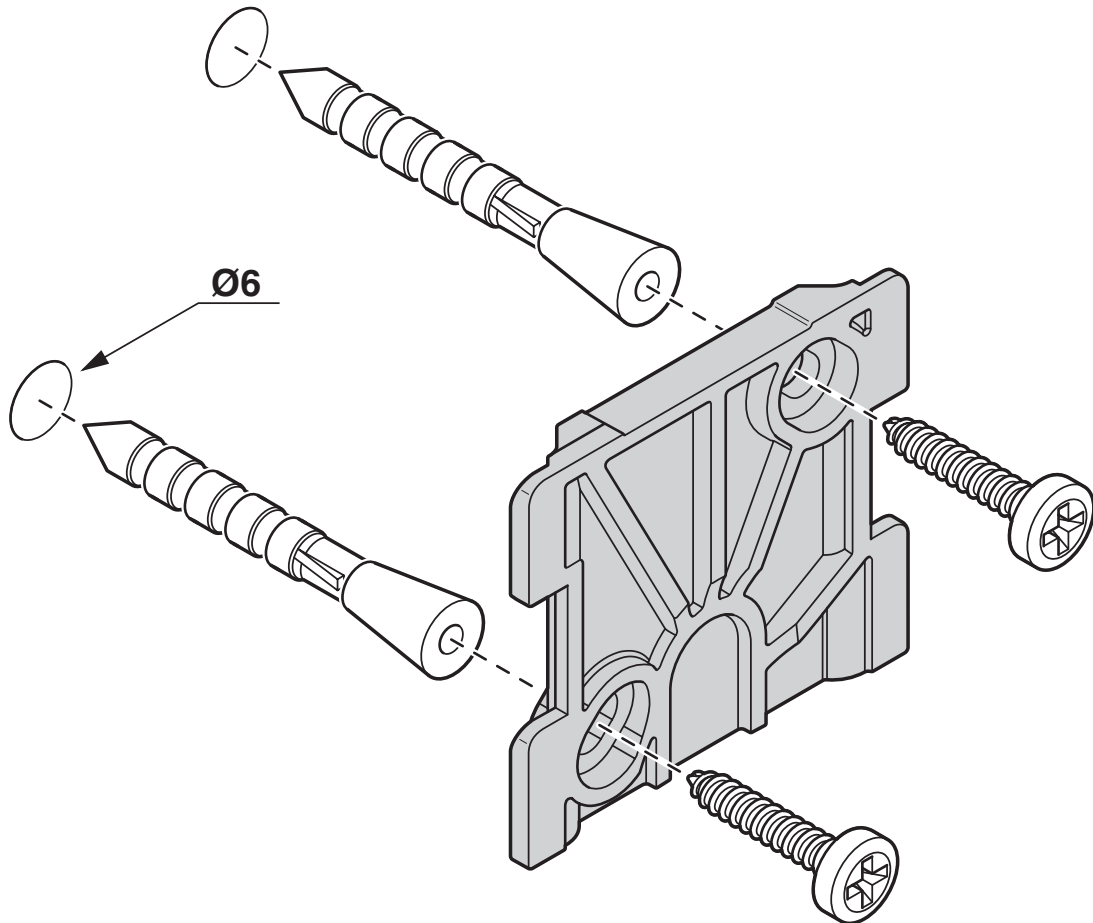
ANT-DIR-868-01 - Antenna

2702137

<https://www.phoenixcontact.com/gb/products/2702137>



Schematic diagram



Mounting panel

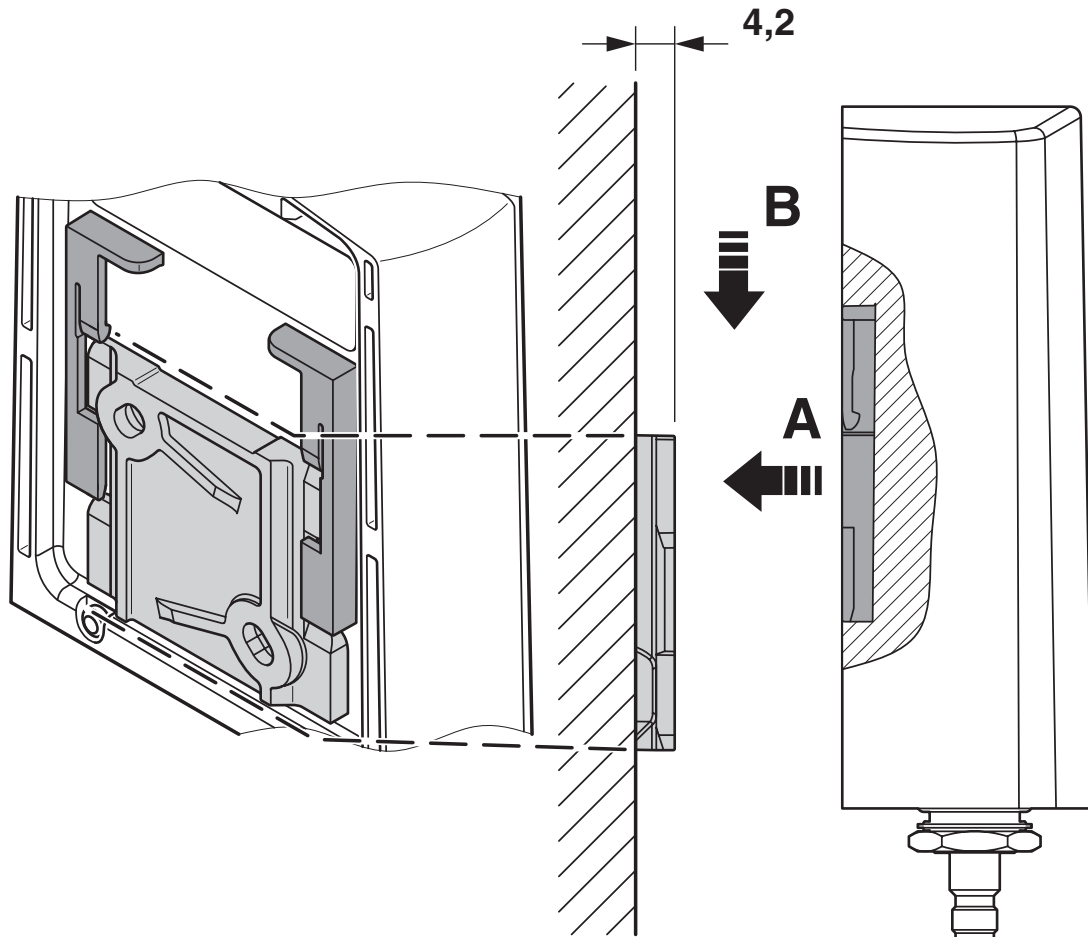
ANT-DIR-868-01 - Antenna

2702137

<https://www.phoenixcontact.com/gb/products/2702137>



Schematic diagram



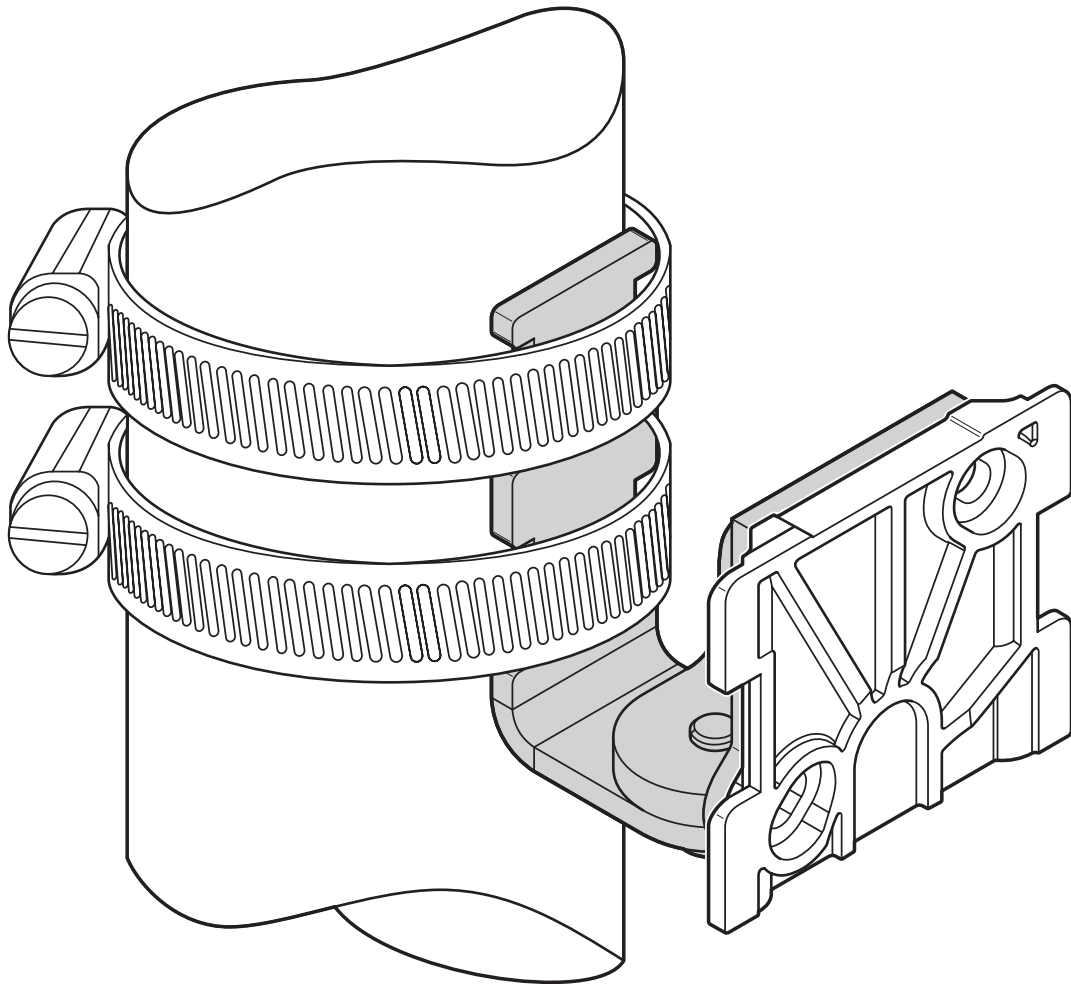
Panel mounting

ANT-DIR-868-01 - Antenna

2702137

<https://www.phoenixcontact.com/gb/products/2702137>

Schematic diagram



Mast mounting

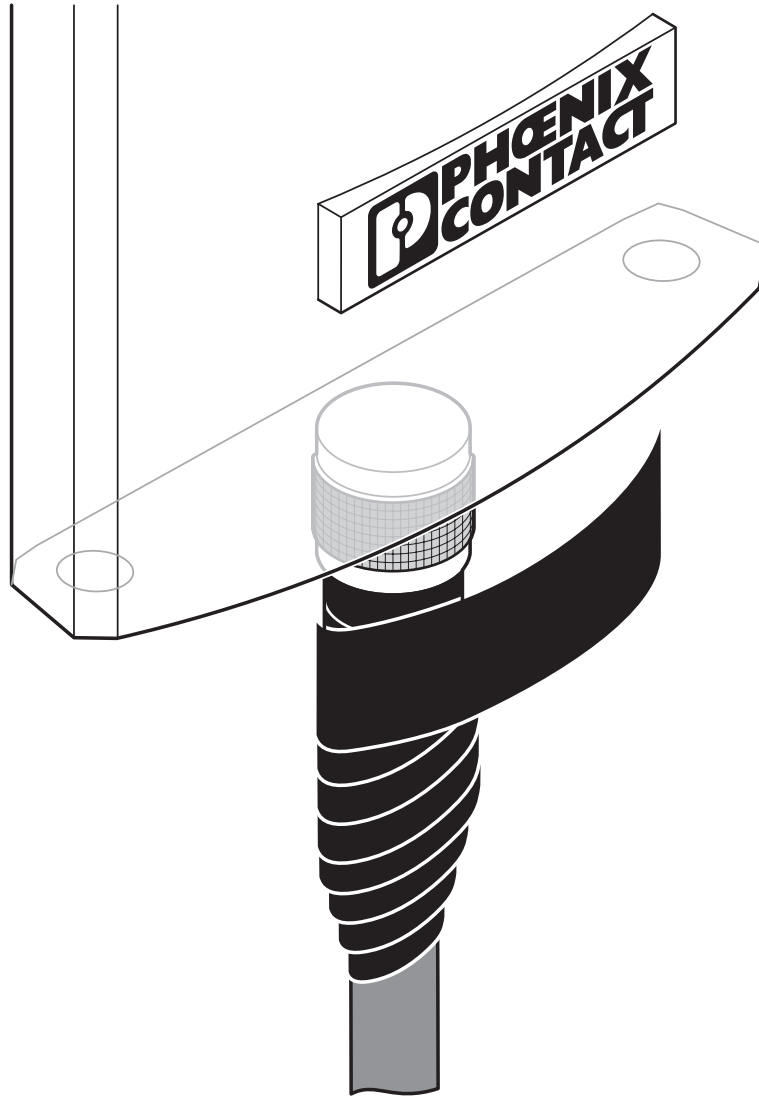
ANT-DIR-868-01 - Antenna

2702137

<https://www.phoenixcontact.com/gb/products/2702137>



Schematic diagram



Sealing tape available as an accessory

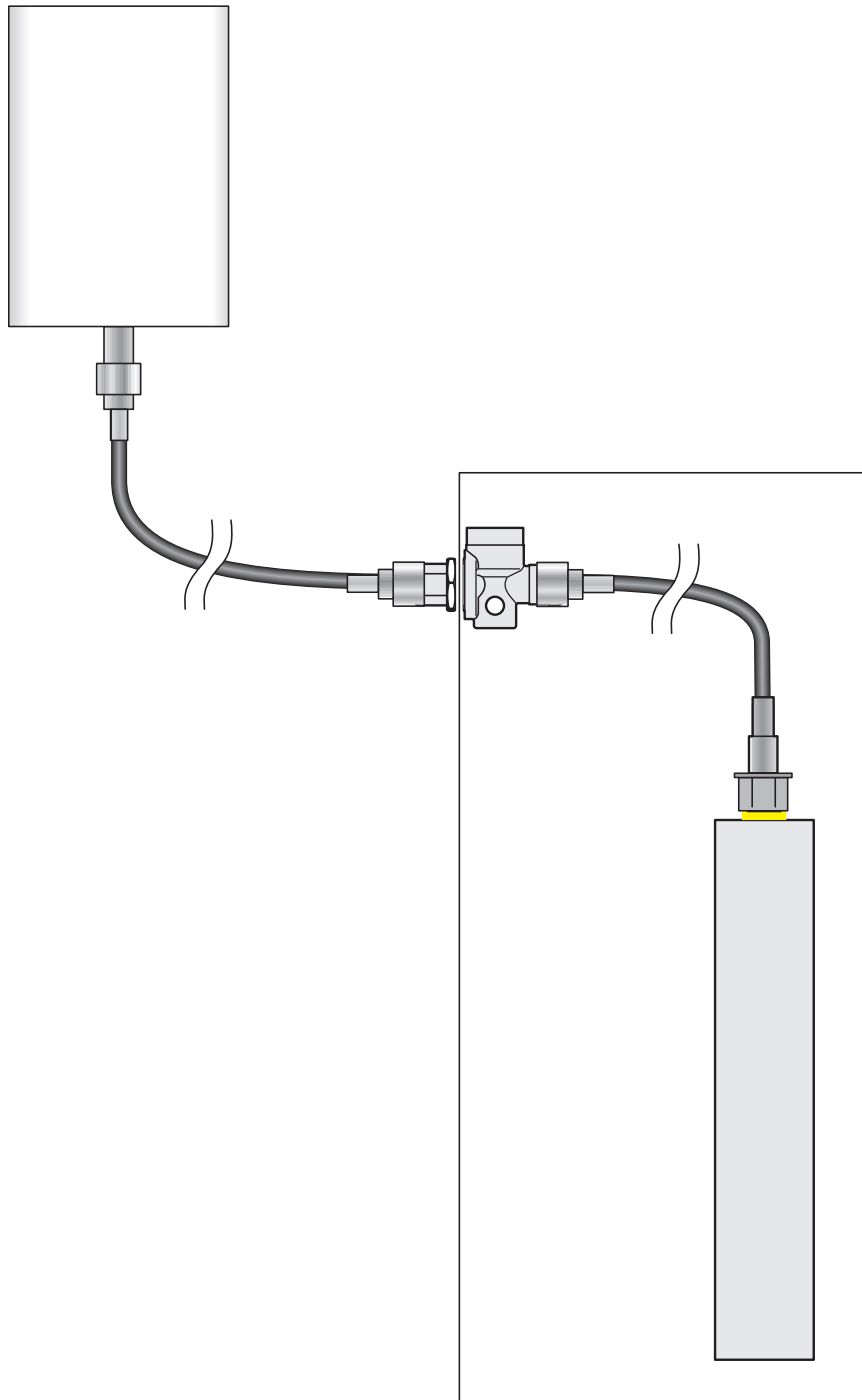
ANT-DIR-868-01 - Antenna

2702137

<https://www.phoenixcontact.com/gb/products/2702137>

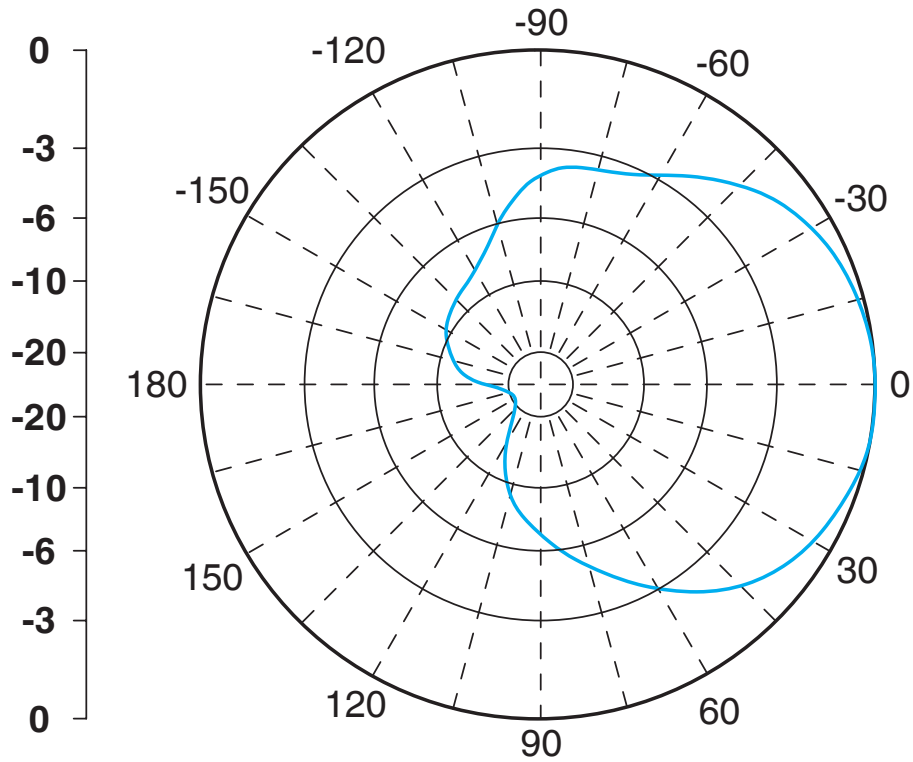


Schematic diagram



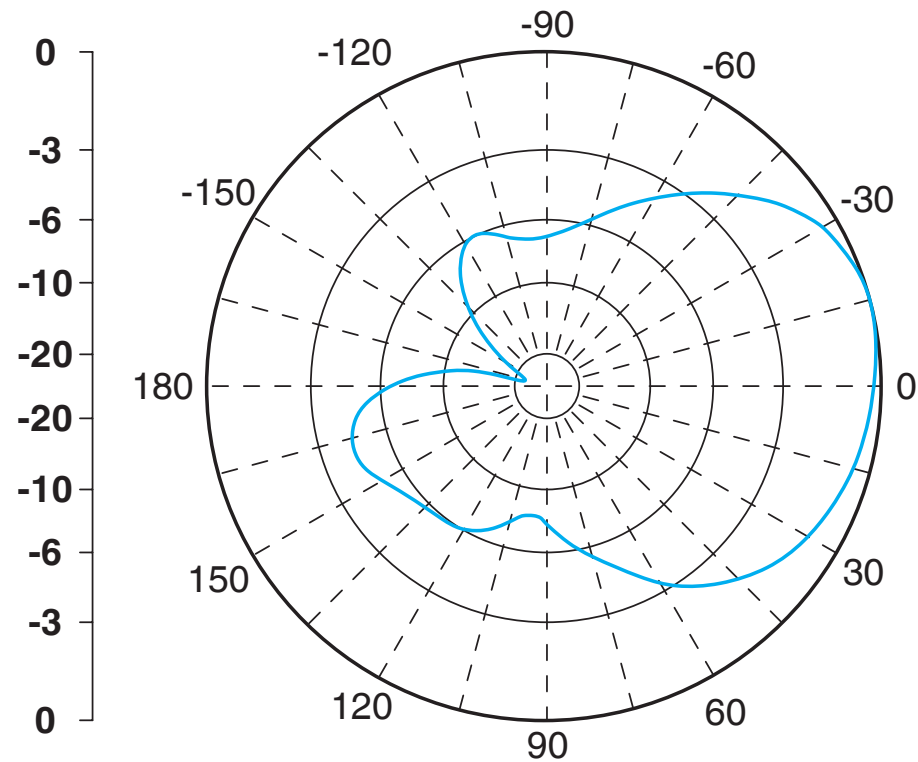
Installation example

Diagram



Horizontal

Diagram



Vertical

ANT-DIR-868-01 - Antenna



2702137

<https://www.phoenixcontact.com/gb/products/2702137>

Classifications

ECLASS

ECLASS-13.0	19070105
ECLASS-15.0	19070105

ETIM

ETIM 9.0	EC001698
----------	----------

UNSPSC

UNSPSC 21.0	43223100
-------------	----------

Environmental product compliance

EU RoHS

Fulfills EU RoHS substance requirements	Yes
Exemption	6(c)

China RoHS

Environment friendly use period (EFUP)	EFUP-25
	An article-related China RoHS declaration table can be found in the download area for the respective article under "Manufacturer declaration". For all articles with EFUP-E, no China RoHS declaration table issued and required.

EU REACH SVHC

REACH candidate substance (CAS No.)	Lead(CAS: 7439-92-1)
SCIP	93e5b86f-e1d4-44c9-a447-32f8cfaa62e1