

Product datasheet

Specifications



EcoStruxure Panel Server - universal wireless, concentrator modbus gateway 110-277 VAC/DC

PAS600

EAN Code: 3606481014344

Main

Range	EcoStruxure
Product name	Panel Server Universal
Product or component type	Gateway
Device short name	PAS600
Device application	Gateway
[Us] rated supply voltage	110...277 V AC 50/60 Hz 110...277 V DC
Communication gateway	Ethernet TCP/IP to wireless devices Ethernet/serial

Complementary

Product compatibility	Wireless access point
Maximum power consumption in W	HW V2: 3.5 W 110...277 V HW V1: 3 W 110...277 V
Maximum power consumption in VA	HW V2: 12 VA at 110...277 V HW V1: 10 VA at 110...277 V
Communication network type	HW V2: Wi-Fi infrastructure 5 GHz HW V2: Wi-Fi infrastructure 2.4 GHz HW V1: Wi-Fi infrastructure 10/100BASE-T2.4 GHz Ethernet 10/100BASE-T2.4 GHz Wi-Fi access point IEEE 802.15.4 2.4 GHz Wireless IEEE 802.15.4 even/odd or none parity 1.2...115.2 kbit/s Modbus RTU Modbus RTU client even/odd or none parity 1.2...115.2 kbit/s
Communication port protocol	Modbus TCP DHCP HTTPS NTP/SNTP IPv4 IPv6 TCP/IP
Communication port support	2 RJ45: ETHERNET Screw terminal block: RS485
Number of server device(s)	32 Modbus RTU product(s) 128 Modbus TCP/IP product(s) 40 wireless (IEEE 802.15.4) product(s) - mixed 85 wireless (IEEE 802.15.4) product(s) - depending on configuration
Number of devices	64 Modbus TCP/IP
Memory capacity	HW V2: 32 GB eMMC HW V1: 512 MB NAND
Number of inputs	0
Connections - terminals	Power supply: screw terminal block (top) 1.5...2.5 mm ² cable(s) Communication: screw terminal block (bottom) 0.14...1.5 mm ² cable(s)

Tightening torque	Power supply: 0.6 N.m Communication: 0.25 N.m
Wire stripping length	Power supply: 7 mm Communication: 7 mm
Number of connectors	HW V2: 2 screw connector for Wi-Fi and IEEE 802.15.4 HW V1: 1 screw connector for Wi-Fi
Connector type	HW V2: connector(s)1 x RP-SMA Wi-Fi for antenna bottom HW V2: connector(s)1 x RP-SMA IEEE 802.15.4 for antenna top HW V1: connector(s)1 x RP-SMA Wi-Fi for antenna bottom
Mounting mode	Clip-on
Mounting support	DIN rail
Product certifications	CE cULus CB RCM UKCA FCC IC DNV Marine ANSI RF IACS E10
Standards	IEC 61010 IEC 61010-1 IEC 61010-2-201 UL 61010 UL 61010-1 UL 61010-2-201 EN 61010-1 EN 61010-2-201 CAN/CSA C22.2 No. 61010-1-12 CAN/CSA C22.2 No. 61010-2-201 IEC 62974-1 IEC 61326-1 EN 61326-1 ETSI EN 301 489-1 ETSI EN 301 489-17 EN 301-893 EN 55032 CISPR 11 ETSI EN 300 328 IEEE 802.15.4 IEEE 802.11a/b/g/n IEEE 802.3 af/at FCC CFR 47 part 15 class A EN 62311 IEC 62311 ANSI C63.10 IEC 60945 EN 62974-1 DNVGL-GC-0339
Depth	70.2 mm
Height	93 mm
Width	72 mm
Net weight	201 g
Data recording	Real time data monitoring
Data buffer for data publication (cloud, SFTP, HTTPS) depending on network	1 month(s)
Function available	Embedded web page for configuration and upgrade Diagnosis capabilities Diagnostic report Diagnostics on communication Energy management With integrated web server Firmware update Backup/restore configuration Configurable event

Product specific application	Wireless Schneider Electric devices ecosystem
Topology	Separated Ethernet network Switched Ethernet network
Web services	HTTPS server SFTP publication (CSV / JSON) HTTPS publication (CSV / JSON)
Communication service	Device Profile for Web Services (DPWS) Modbus TCP client Modbus TCP server SNTP client DHCP client RSTP
Commissioning interface	EcoStruxure Power Commission desktop EcoStruxure Power Commission Mobile (through Wi-Fi Access point) EcoStruxure Power Commission web (for third party device integration) Web page
Realtime clock	With RTC-battery set With user calibration
Time synchronisation protocol	NTP SNTP
Range compatibility	EcoStruxure Facility Expert EcoStruxure Building Operation EcoStruxure Power Operation EcoStruxure Power Monitoring Expert EcoStruxure Asset Advisor EcoStruxure Energy Hub EcoStruxure Resource Advisor Third party SCADA
Communication interface	Modbus and wireless (IEEE802.15.4) product

Environment

Relative humidity	5...95 %
IP degree of protection	IP40 (front face) IP20 (casing)
Ambient air temperature for operation	-25...70 °C
Ambient air temperature for storage	-40...85 °C
Pollution degree	2
Operating altitude	< 2000 m

Packing Units

Unit Type of Package 1	PCE
Number of Units in Package 1	1
Package 1 Height	9.000 cm
Package 1 Width	9.000 cm
Package 1 Length	11.000 cm
Package 1 Weight	283.000 g
Unit Type of Package 2	S03
Number of Units in Package 2	27
Package 2 Height	30.000 cm
Package 2 Width	30.000 cm
Package 2 Length	40.000 cm

Package 2 Weight	8.280 kg
Unit Type of Package 3	P06
Number of Units in Package 3	216
Package 3 Height	75.000 cm
Package 3 Width	60.000 cm
Package 3 Length	80.000 cm
Package 3 Weight	74.200 kg

Logistical informations

Country of origin IN

Contractual warranty

Warranty (in months) 18



Environmental Data

Schneider Electric aims to achieve Net Zero status by 2050 through supply chain partnerships, lower impact materials, and circularity via our ongoing “Use Better, Use Longer, Use Again” campaign to extend product lifetimes and recyclability.

[Environmental Data explained >](#)

[How we assess product sustainability >](#)

Environmental footprint

Total lifecycle Carbon footprint 47

Environmental Disclosure [Product Environmental Profile](#)

Use Better

Materials and Substances

Packaging made with recycled cardboard Yes

Packaging without single use plastic Yes

[EU RoHS Directive](#) Compliant with Exemptions

SCIP Number 8fd200e0-fc2c-4c52-ba68-62f2aced16fe

REACH Regulation [REACH Declaration](#)

Halogen-free status Halogen free plastic parts & cables product

PVC free Yes

Use Again

Repack and remanufacture

End of life manual availability [End of Life Information](#)

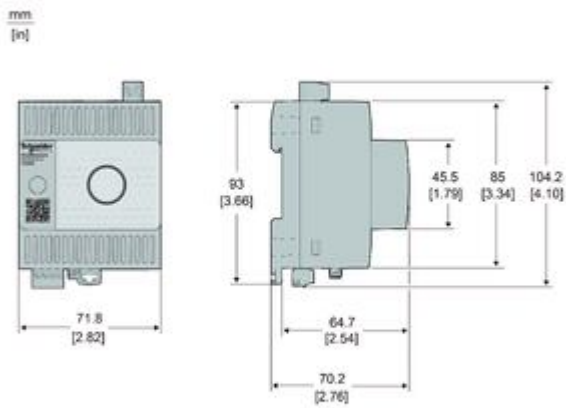
Removable battery No

Take-back No

WEEE Label  The product must be disposed on European Union markets following specific waste collection and never end up in rubbish bins

Technical Illustration

Dimensions



Technical illustration

Product Installation

