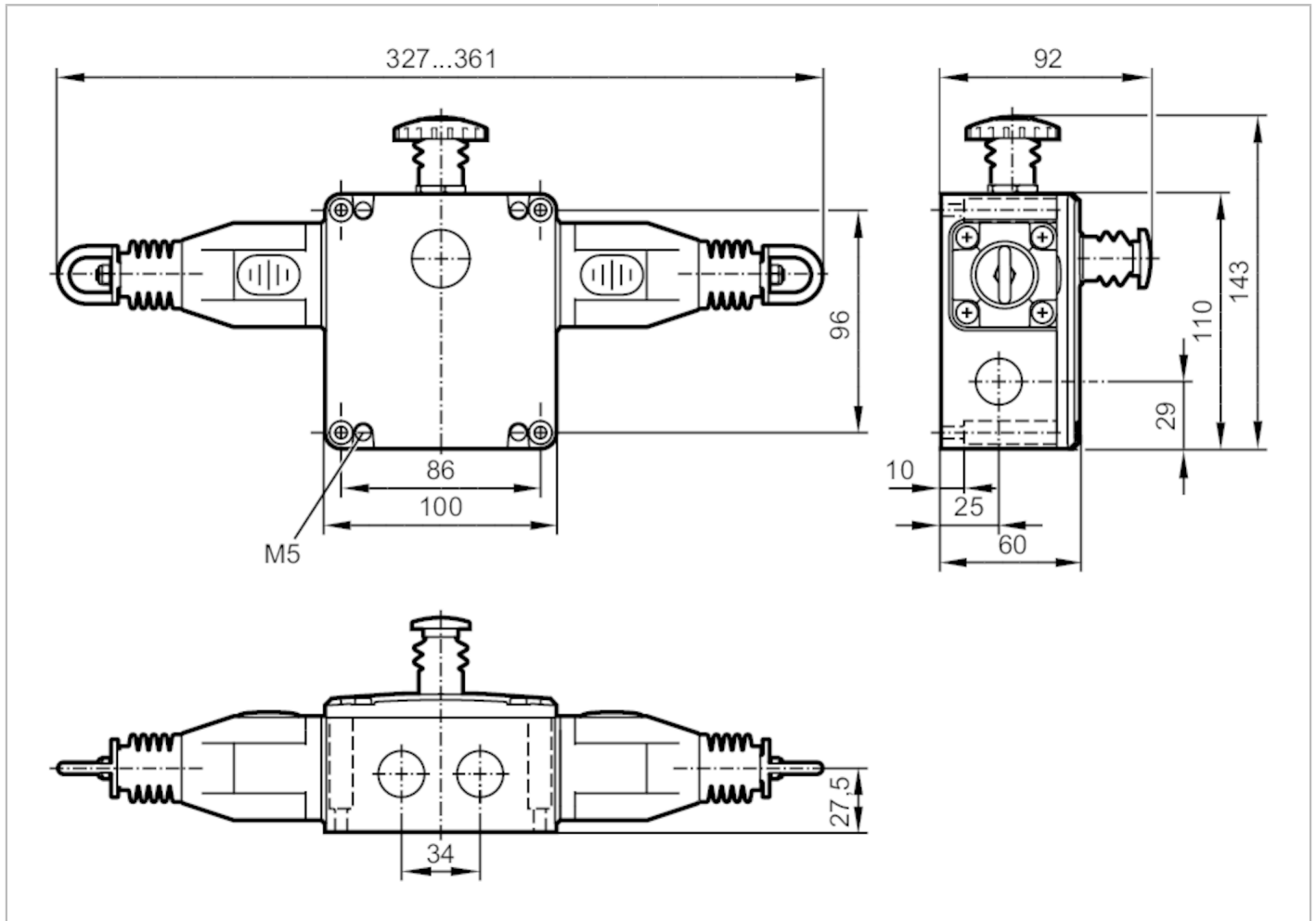


# ZB0050



## Safety rope emergency stop switch

Rope Switch DH



Electrical data	
Operating voltage	[V] 110...240 AC / 5...24 DC
Rated insulation voltage	[V] 500
Outputs	
Electrical design	snap-action contact; max. switching voltage: 240 V; switching capacity: 720 VA; thermal current: 10 A
Output function	auxiliary contact 2 x normally open safety contact 4 x NC
Minimum load current	[mA] 5; (5 V DC)
Contact rating	3 A (240 V AC) / 6 A (120 V AC) / 2,5 A (24 V DC); (inductive load)
Short-circuit protection	no
Operating conditions	
Ambient temperature	[°C] -25...80
Protection	IP 67
Tests / approvals	
Shock resistance	15 g / 11 ms
Vibration resistance	10-500 Hz

# ZB0050



## Safety rope emergency stop switch

Rope Switch DH

Mechanical data	
Weight [g]	1498.5
Materials	housing: diecast aluminium yellow; switching contact: silver-plated
Information on service life	Switching cycles (mechanical): > 1.000.000
Installation position	any
Rope span	125 m; (per side)
Activation force [N]	< 125; (tension force: 130 N)
Electrical connection	
Required protection	10 A; fast acting
Remarks	
Remarks	For information about installation and operation please see the operating instructions.
Pack quantity	1 pcs.

Electrical connection
terminals: ...2.5 mm <sup>2</sup>
Connection

