

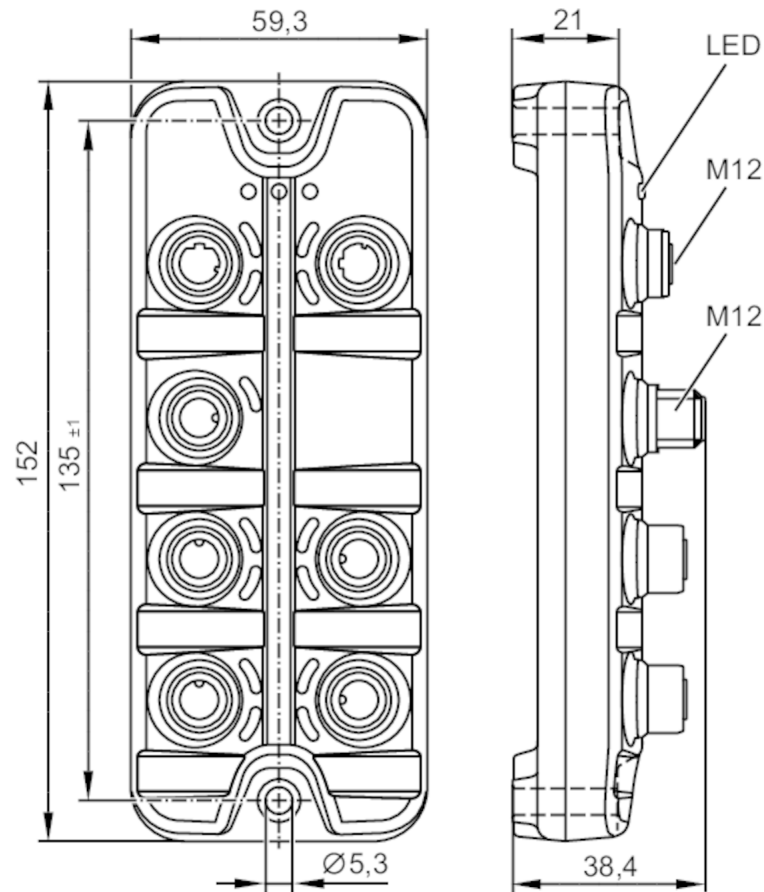
ZZ1100



IO-Link master starter kit - PROFINET

STARTER KIT IO-LINK

article can only be ordered once per customer



Application

Components

IO-Link master StandardLine, PROFINET, AL1100

Power supply, 230 V / 24 V (M12), E80121

Ethernet cable M12 - RJ45; 0,5 m, EVC924

Connection cable M12 - M12; 0,6 m, EVC041

Photoelectric distance sensor, O5D150

Mechanical data

Weight

[g]

890.2

Remarks

Remarks

For additional information, please refer to the data sheets and installation instructions for the components listed above.

Notes

article can only be ordered once per customer

Pack quantity

1 pcs.