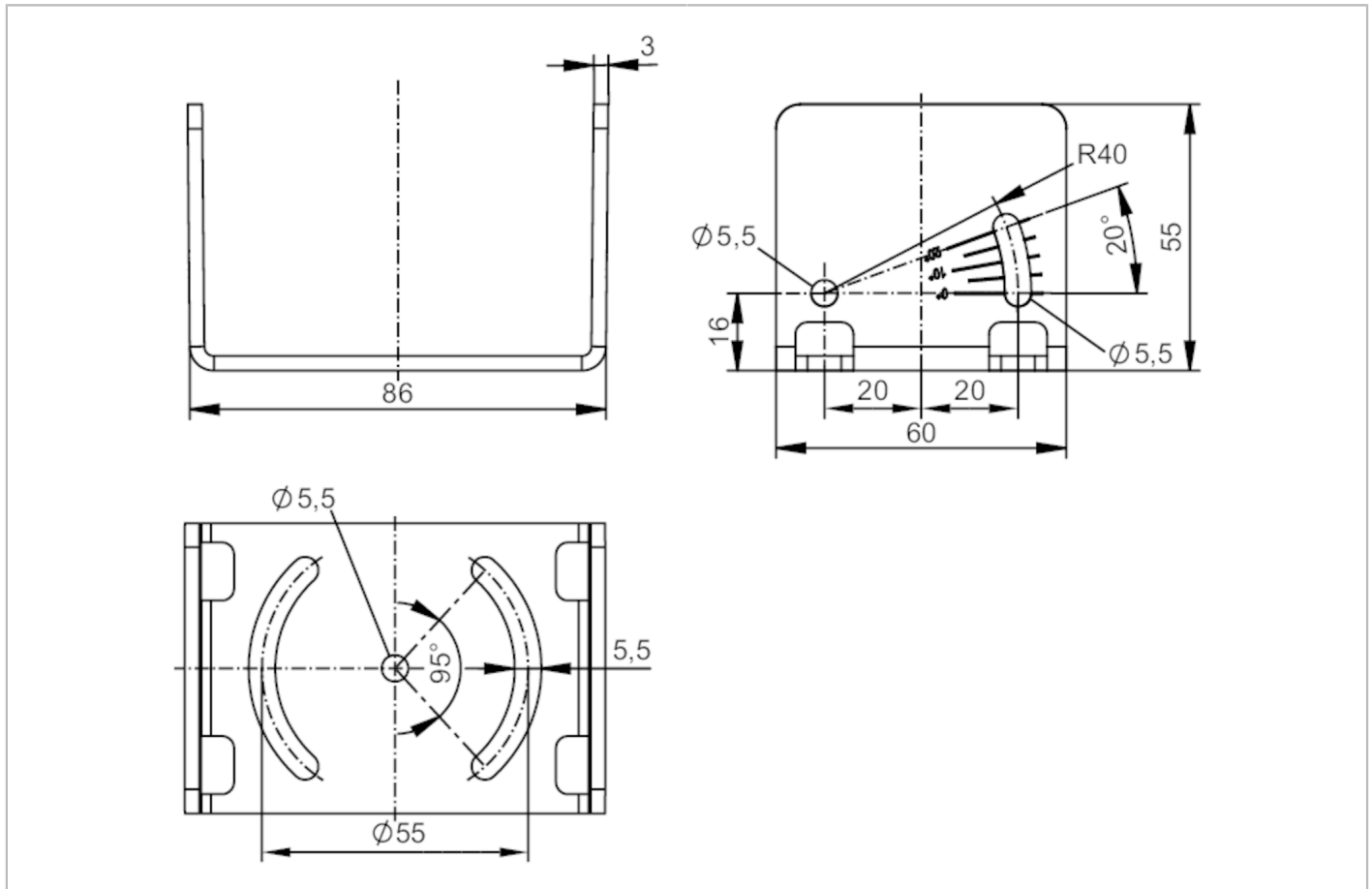


# E23010



## Mounting bracket for radar sensors

MOUNTING SET RxD FIXED INST



Application	
Design	U-shaped fixture with setting option up to 20°
Mechanical data	
Weight	[g] 285.65
Type of mounting	screw mounting onto common aluminium profiles and machine panels
Materials	fixture: stainless steel (316Ti/1.4571)
Accessories	
Items supplied	cylinder screws: 2 x (M5 x 95 mm), ISO 4762 hexagon nuts: 2 x M5 washers: 2
Remarks	
Pack quantity	1 pcs.