

front mounted rotary operator standard with door interlock IEC IP30/40 accessory for: 3VA13/14; 3VA23/24



Model		
product brand name	SETRON	
product designation	front rotary operating mechanism	
accessories	Front rotary operator	
General technical data		
protection class IP	IP30	
Mechanical Design		
height	94 mm	
width	138 mm	
depth	108 mm	
Certificates		
General Product Approval	EMV	Maritime application



EG-Konf.



[Miscellaneous](#)



RCM

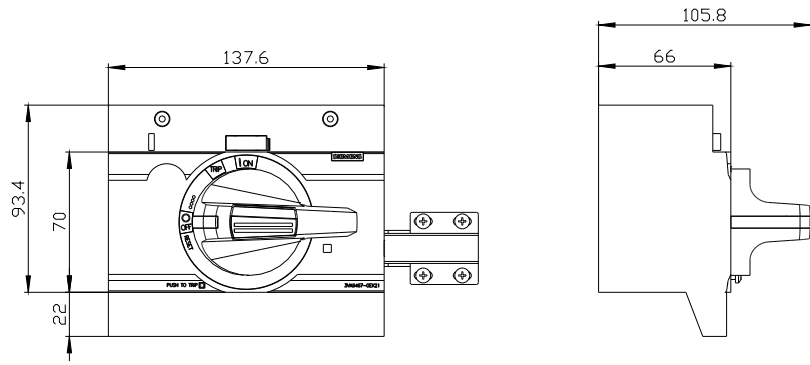


LRS

other	Environment
<a href="#">Confirmation</a>	<a href="#">Miscellaneous</a>
	<a href="#">Environmental Confirmations</a>
	<a href="#">Environmental Confirmations</a>

### Further information

- Information on the packaging  
<https://support.industry.siemens.com/cs/ww/en/view/109813875>
- Information for data generation and storage  
<https://support.industry.siemens.com/cs/ww/en/view/109995012>
- Information- and Downloadcenter (Catalogs, Brochures,...)  
<https://www.siemens.com/lowvoltage/catalogs>
- Industry Mall (Online ordering system)  
<https://mall.industry.siemens.com/mall/en/en/Catalog/product?mlfb=3VA9467-0EK21>
- Service&Support (Manuals, Certificates, Characteristics, FAQs,...)  
<https://support.industry.siemens.com/cs/ww/en/ps/3VA9467-0EK21>
- Image database (product images, 2D dimension drawings, 3D models, device circuit diagrams, ...)  
[https://www.automation.siemens.com/bilddb/cax\\_en.aspx?mlfb=3VA9467-0EK21](https://www.automation.siemens.com/bilddb/cax_en.aspx?mlfb=3VA9467-0EK21)
- CAX-Online-Generator  
<https://www.siemens.com/cax>
- Tender specifications  
<https://www.siemens.com/specifications>



---

last modified:

5/26/2025 