

# Product datasheet

Specifications



## Metal industrial box plain door H200xW600xD120 IP66 IK10 RAL 7035

Local distributor code:  
397088890

NSYSBM206012

**EAN Code: 3606480520181**

### Main

Range	PanelSeT
Product name	PanelSeT SBM
Device application	Multi-purpose
Category	Industrial box
Device short name	SBM
enclosure type	Flat face box
Enclosure nominal height	200 mm
Enclosure nominal width	600 mm
Enclosure nominal depth	120 mm
Enclosure mounting	Wall mounted
Device composition	1 cover 1 body 6 cover screw
Body type	Single piece body folded and welded
Type of front cover	Plain door
Cover fixing	Half turn metal screw
Lock type	Captive screw PZ2 outside sealed area
Removable parts	Cover by captive screws

### Complementary

Material	Sheet steel
Surface finish	Polyester powder
Colour	Grey (RAL 7035)
Standards	IEC 62208 UL CUL
Product certifications	DNV-GL UL BV
IP degree of protection	IP66 conforming to IEC 60529
IK degree of protection	IK10 conforming to IEC 62262
Ambient air temperature for storage	-35...60 °C
Operating temperature	-35...80 °C
Net weight	5.108 kg

## Packing Units

Unit Type of Package 1	PCE
Number of Units in Package 1	1
Package 1 Height	14.500 cm
Package 1 Width	23.000 cm
Package 1 Length	63.000 cm
Package 1 Weight	5.108 kg
Unit Type of Package 2	PAM
Number of Units in Package 2	28
Package 2 Height	78.000 cm
Package 2 Width	100.000 cm
Package 2 Length	120.000 cm
Package 2 Weight	158.500 kg

## Contractual warranty

Warranty (in months)	18
----------------------	----

## Environmental Data

Schneider Electric aims to achieve Net Zero status by 2050 through supply chain partnerships, lower impact materials, and circularity via our ongoing “Use Better, Use Longer, Use Again” campaign to extend product lifetimes and recyclability.

[Environmental Data explained >](#)

[How we assess product sustainability >](#)

### Environmental footprint

Total lifecycle Carbon footprint 47

Environmental Disclosure [Product Environmental Profile](#)

## Use Better

### Materials and Substances

Packaging made with recycled cardboard No

Packaging without single use plastic No

[EU RoHS Directive](#) Pro-active compliance (Product out of EU RoHS legal scope)

REACH Regulation [REACH Declaration](#)

## Use Again

### Repack and remanufacture

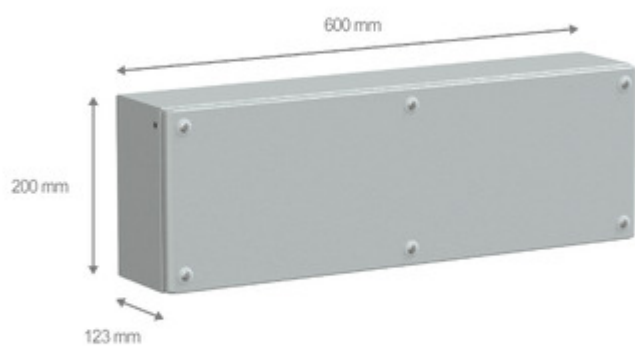
End of life manual availability No need of specific recycling operations

Take-back No

Technical Illustration

Dimensions

---



Offer Marketing Illustration

Product benefits / Features

---



Sturdy components' protection

Earthing studs included

Modular: Large choice of dimensions

Quality & aesthetics

Easy & versatile installation

Ergonomic design