

Product datasheet

Specifications



Humidity sensor, SpaceLogic Sensors, SHD2 Series, temperature, analog output, temperature transmitter

SHD2XA2A

EAN Code: 3606485849355

Main

| | |
|----------------------------------|--|
| Range of product | SpaceLogic |
| Product or component type | Humidity sensor |
| Type of measurement | Humidity Temperature |
| Device application | HVAC |
| location | Indoor |
| Calibration certificate | Humidity: replaceable RH element available in 1% & 2% with NIST |
| Sensor type | Thin film capacitive, replaceable humidity Solid state temperature Transmitter temperature |
| Colour | Duct: |
| Communication network type | Wired |
| Depth | 249 mm |
| Height | 100 mm |
| Width | 133 mm |
| Connections - terminals | Screwless terminals |
| Enclosure material | Polycarbonate strong housing |
| Humidity measurement accuracy | +/- 2 % 0...100 % RH |
| Relative humidity | 0...95 % RH, non-condensing |
| Analogue output type | 4...20 mA 0...5 V DC 0...10 V DC |
| Output type | Analog |
| Standards | EN 61000 EN 61000-6-2 EN 61000-6-3 EN 61326-1 UL 916 FCC part 15 class A REACH ICES-003 RoHS |
| Storage Relative Humidity | 0...95 % RH, non-condensing |
| [Us] rated supply voltage | 20...30 V DC 24 V AC |
| Temperature measurement accuracy | +/- 0.2 °C |
| Measurement temperature | -35...60 °C |

| | |
|------------------------|-------------------------------|
| Temperature resolution | 0.1 °C |
| Product name | Plant Room Air Quality Sensor |
| Product brand | Schneider Electric |
| Range | SHD2 Series |

Complementary

| | |
|----------------|-----------|
| Market segment | Buildings |
|----------------|-----------|

Environment

| | |
|-------------------------|------|
| IP degree of protection | IP65 |
|-------------------------|------|

Packing Units

| | |
|------------------------------|-----------|
| Unit Type of Package 1 | PCE |
| Number of Units in Package 1 | 1 |
| Package 1 Height | 11.684 cm |
| Package 1 Width | 15.240 cm |
| Package 1 Length | 31.750 cm |
| Package 1 Weight | 505.000 g |

Contractual warranty

| | |
|----------------------|----|
| Warranty (in months) | 18 |
|----------------------|----|



Environmental Data

Schneider Electric aims to achieve Net Zero status by 2050 through supply chain partnerships, lower impact materials, and circularity via our ongoing “Use Better, Use Longer, Use Again” campaign to extend product lifetimes and recyclability.

[Environmental Data explained >](#)

[How we assess product sustainability >](#)

Environmental footprint

Total lifecycle Carbon footprint 48

Environmental Disclosure [Product Environmental Profile](#)

Use Better

Materials and Substances

Packaging made with recycled cardboard No

Packaging without single use plastic No

[EU RoHS Directive](#) Compliant

SCIP Number 5386f444-bbfa-4e6f-ab91-3a532e954893

REACH Regulation [REACH Declaration](#)

Use Again

Repack and remanufacture

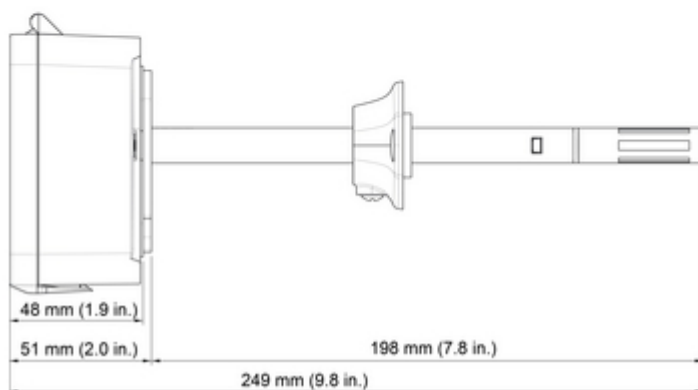
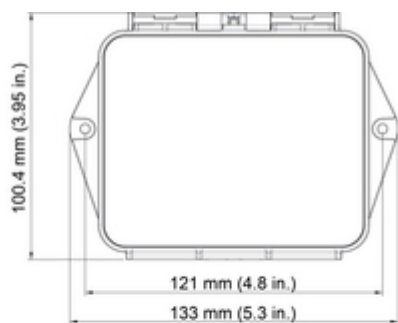
End of life manual availability [End of Life Information](#)

Take-back No

WEEE Label  The product must be disposed on European Union markets following specific waste collection and never end up in rubbish bins

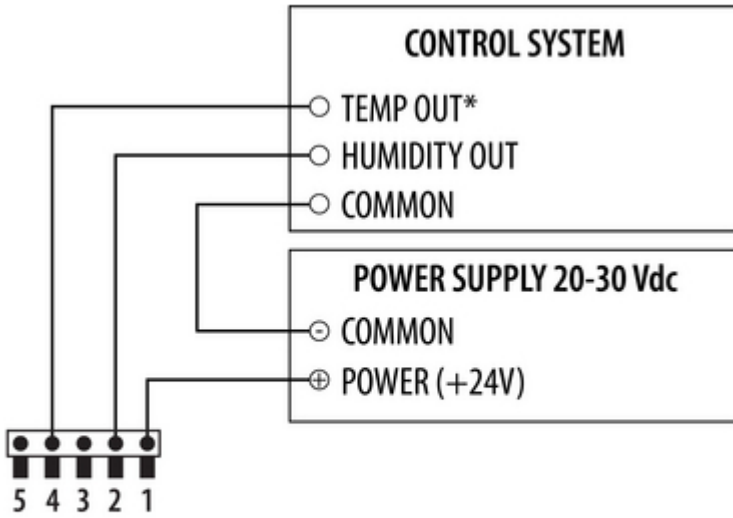
Technical Illustration

Dimensions



Technical Illustration

Wiring diagram



**For thermistor or RTD models, pins 3 and 4 are used for thermistor/RTD connection.*