

E AB A 85X83X60 6MPT - Junction box

3001998

<https://www.phoenixcontact.com/gb/products/3001998>

Please be informed that the data shown in this PDF document is generated from our online catalog. Please find the complete data in the user documentation. Our general terms of use for downloads are valid.



Junction box, With 6 terminal blocks, 2.5 mm² with push-in technology, material: ABS, gray, 85 mm x 83 mm x 60 mm, type of locking: Screw-on cover

Your advantages

- Terminal box with cover and pre-assembled terminal strip
- Fast wiring without the need for additional components

Commercial data

Item number	3001998
Packing unit	1 pc
Minimum order quantity	1 pc
Sales key	BH8231
Product key	BH8231
GTIN	4055626083827
Weight per piece (including packing)	317.2 g
Weight per piece (excluding packing)	309.2 g
Customs tariff number	85371098
Country of origin	IN

E AB A 85X83X60 6MPT - Junction box



3001998

<https://www.phoenixcontact.com/gb/products/3001998>

Technical data

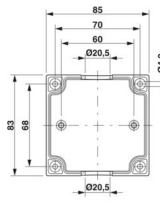
Product properties

Product type	Terminal box
--------------	--------------

Insulation characteristics

Protection class	II
------------------	----

Dimensions

Dimensional drawing	
Width	85 mm
Height	83 mm
Depth	60 mm

Material specifications

Color	gray
Material	ABS
Flammability rating according to UL 94	UL-94 HB
Seal material	Silicon
Type of insulation	full protective insulation
Components	halogen-free

Mechanical properties

General

Type of locking (GRP)	Screw-on cover Phillips-Recess
-----------------------	--------------------------------

Environmental and real-life conditions

Degree of protection (IP code)

Degree of protection	IP67
----------------------	------

Ambient conditions

Ambient temperature (operation)	-25 °C ... 60 °C
---------------------------------	------------------

Mounting

Assembly note	Screw connection in housing base
---------------	----------------------------------

E AB A 85X83X60 6MPT - Junction box

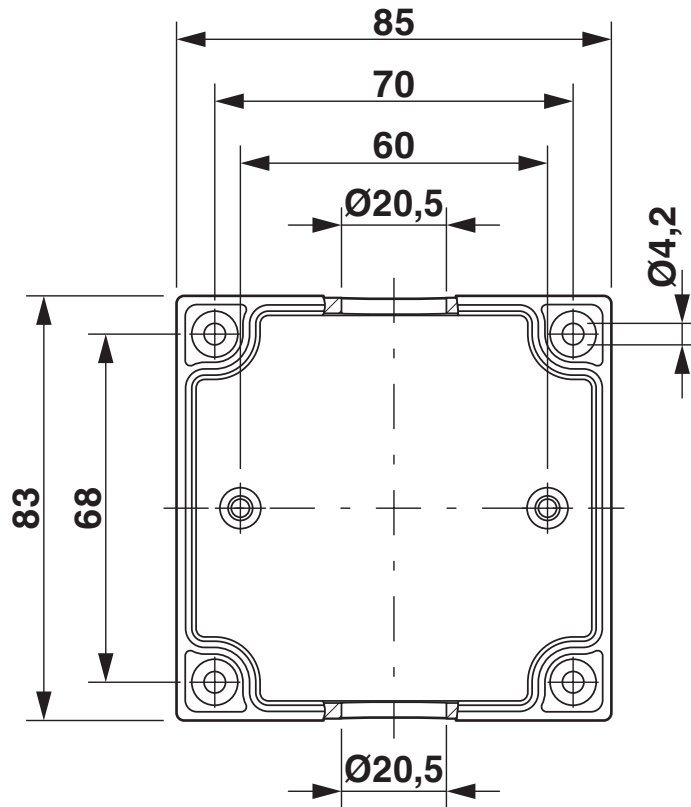
3001998

<https://www.phoenixcontact.com/gb/products/3001998>



Drawings

Dimensional drawing



E AB A 85X83X60 6MPT - Junction box



3001998

<https://www.phoenixcontact.com/gb/products/3001998>

Approvals

To download certificates, visit the product detail page: <https://www.phoenixcontact.com/gb/products/3001998>



EAC

Approval ID: RU C-DE.BL08.B.00582

E AB A 85X83X60 6MPT - Junction box



3001998

<https://www.phoenixcontact.com/gb/products/3001998>

Classifications

ECLASS

ECLASS-13.0	27180101
ECLASS-15.0	27180101

ETIM

ETIM 9.0	EC000261
----------	----------

UNSPSC

UNSPSC 21.0	31261500
-------------	----------

E AB A 85X83X60 6MPT - Junction box



3001998

<https://www.phoenixcontact.com/gb/products/3001998>

Environmental product compliance

EU RoHS

Fulfills EU RoHS substance requirements	Yes, No exemptions
---	--------------------

EU REACH SVHC

REACH candidate substance (CAS No.)	No substance above 0.1 wt%
-------------------------------------	----------------------------

Phoenix Contact 2025 © - all rights reserved

<https://www.phoenixcontact.com>

PHOENIX CONTACT Ltd
Halesfield 13, Telford
Shropshire, TF7 4PG
01952 681700
info@phoenixcontact.co.uk