

SI-RND-R1A - Data interface



1425186

<https://www.phoenixcontact.com/gb/products/1425186>

Please be informed that the data shown in this PDF document is generated from our online catalog. Please find the complete data in the user documentation. Our general terms of use for downloads are valid.

Service socket with RJ45 (socket/socket), 8-pos. metal, CAT6A connection, with protective cover



Commercial data

Item number	1425186
Packing unit	1 pc
Minimum order quantity	1 pc
Sales key	AF7EGX
Product key	AF7EGX
GTIN	4055626386706
Weight per piece (including packing)	31.2 g
Weight per piece (excluding packing)	29.9 g
Customs tariff number	85366990
Country of origin	DE

Technical data

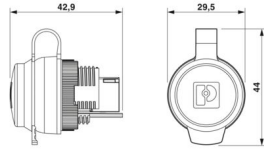
Product properties

Product type	Data front plate
Number of positions	8
Connection profile	RJ45

Electrical properties

Transmission speed	10 Gbps (RJ45 (socket/socket), 8-pos.)
--------------------	--

Dimensions

Dimensional drawing	
Width	29.5 mm
Height	42.7 mm
Panel thickness	1 mm ... 3 mm

Material specifications

Material Housing	PA
Flammability rating according to UL 94	V0
Contact material	Copper alloy
Contact surface material	gold-plated

Mechanical properties

Mechanical data

Insertion/withdrawal cycles	≥ 750
-----------------------------	-------

Environmental and real-life conditions

Ambient conditions

Degree of protection	IP65 (with closed protective cover)
Ambient temperature (operation)	-40 °C ... 70 °C

Mounting

Assembly note	Panel thickness: 1 mm ... 3 mm
---------------	--------------------------------

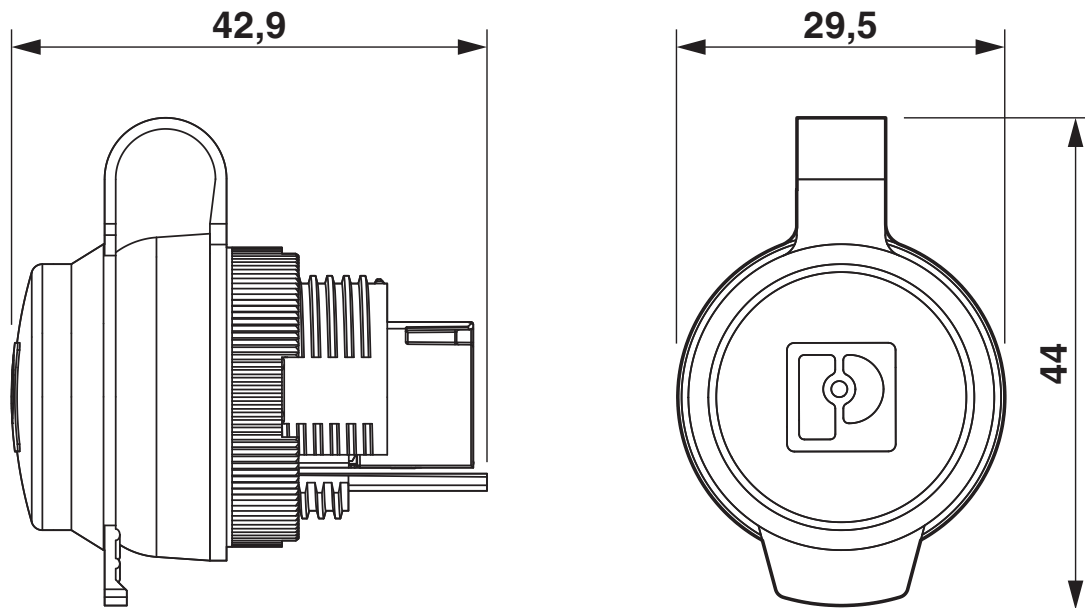
SI-RND-R1A - Data interface

1425186

<https://www.phoenixcontact.com/gb/products/1425186>

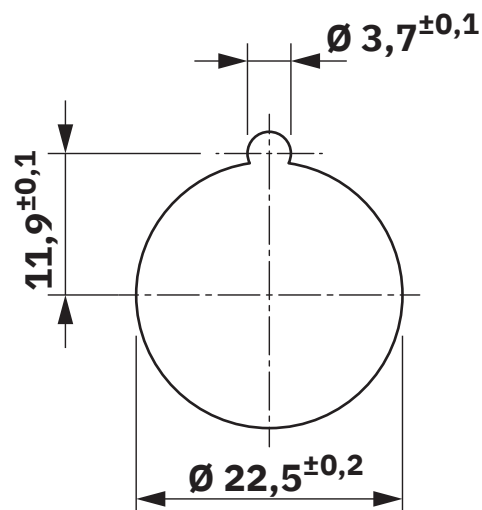
Drawings

Dimensional drawing



Dimensional drawing

Dimensional drawing



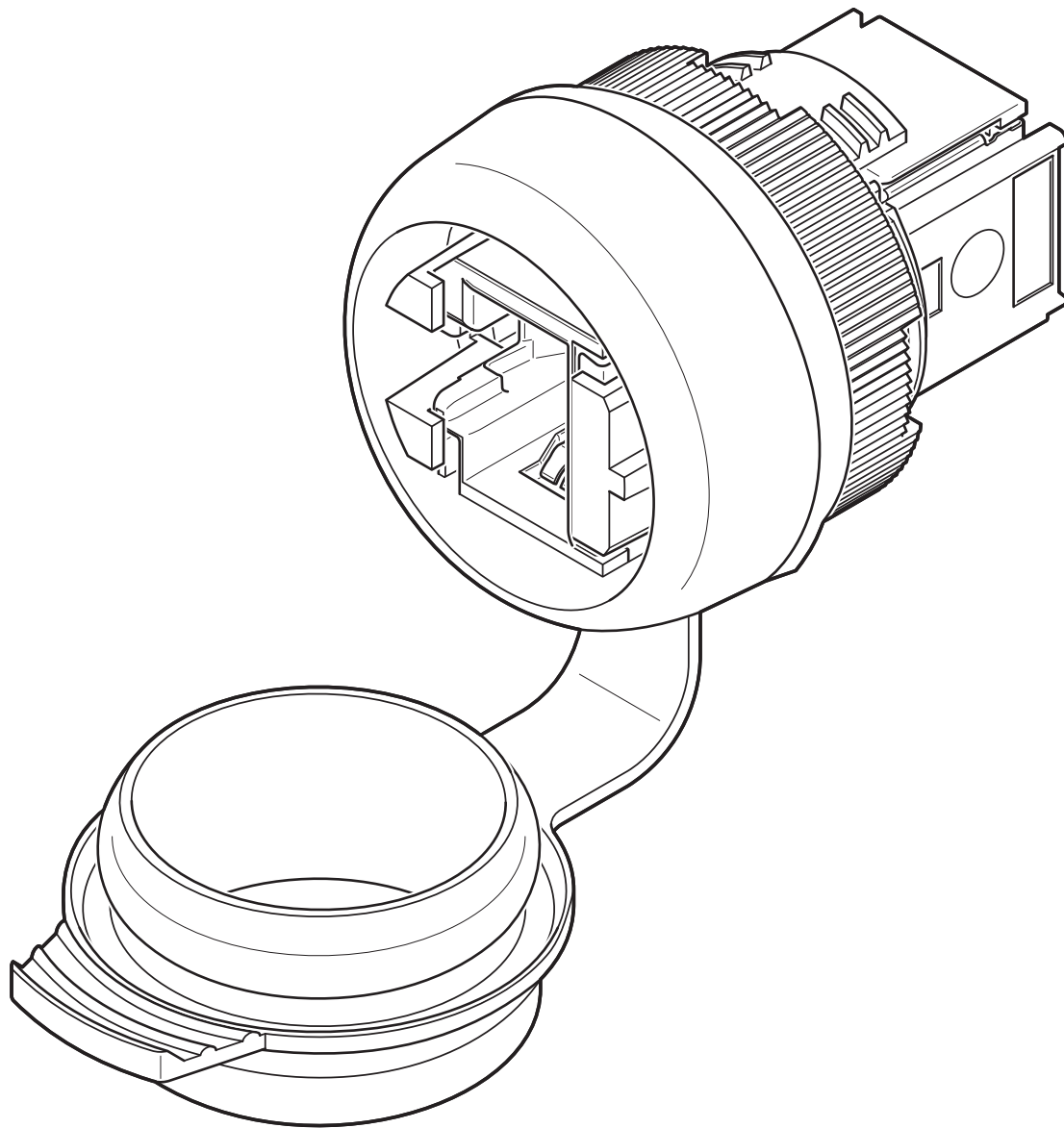
Mounting cutout

SI-RND-R1A - Data interface

1425186

<https://www.phoenixcontact.com/gb/products/1425186>

Schematic diagram



Schematic drawing 1

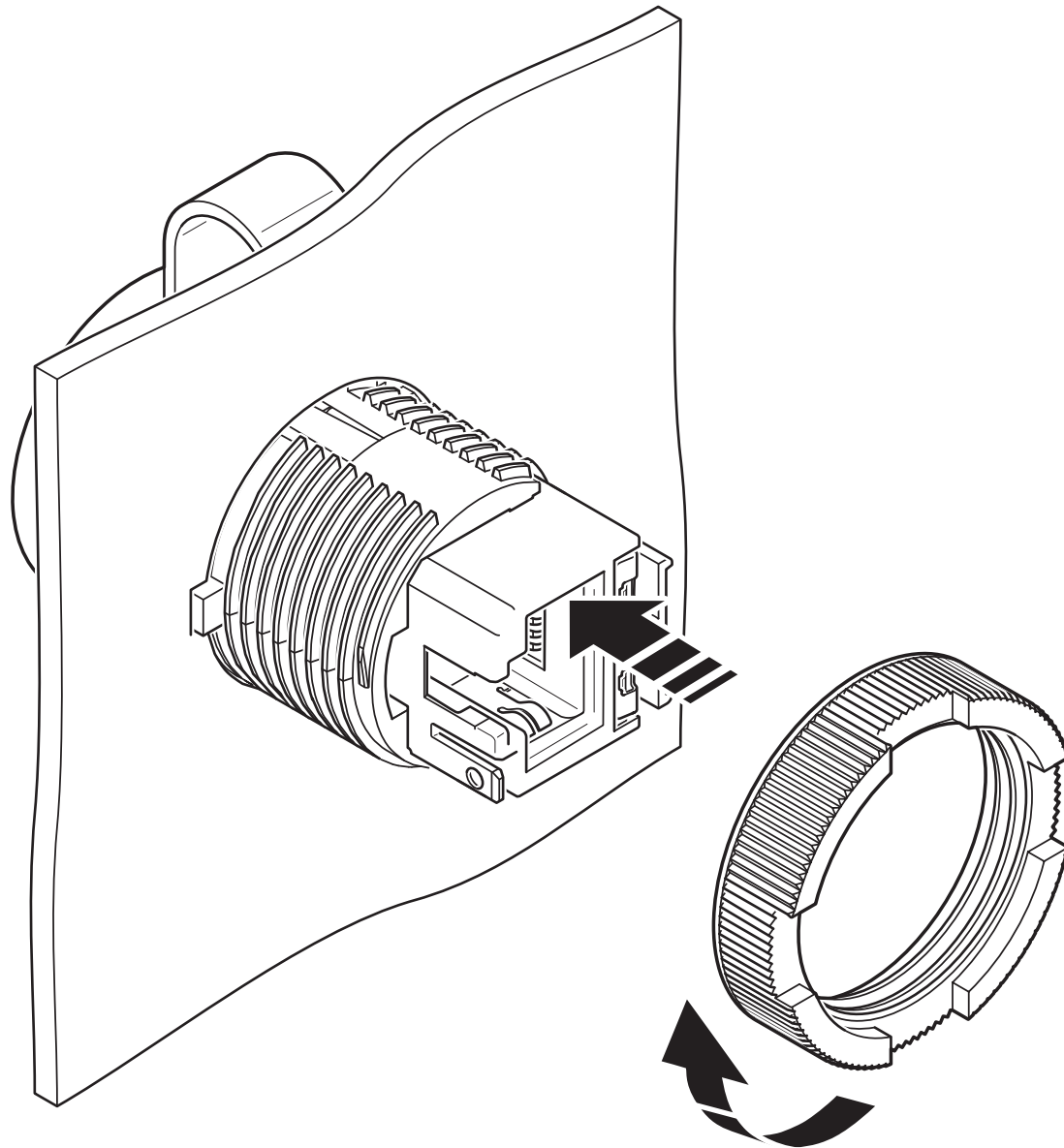
SI-RND-R1A - Data interface

1425186

<https://www.phoenixcontact.com/gb/products/1425186>



Schematic diagram



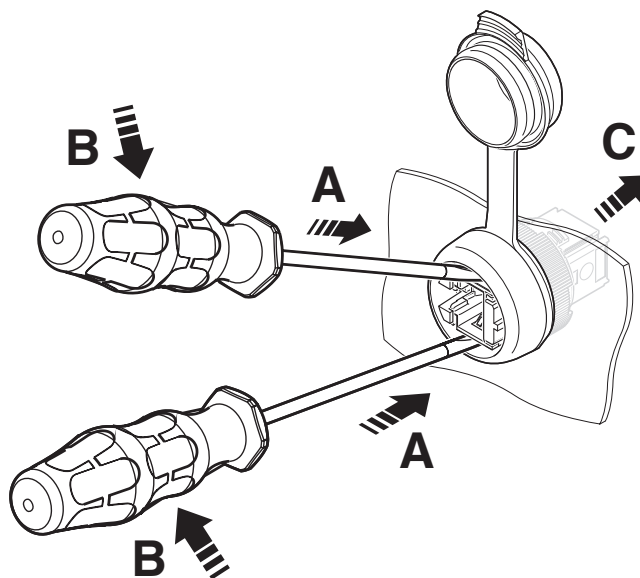
Schematic drawing 2

SI-RND-R1A - Data interface

1425186

<https://www.phoenixcontact.com/gb/products/1425186>

Schematic diagram



Schematic drawing 3

SI-RND-R1A - Data interface



1425186

<https://www.phoenixcontact.com/gb/products/1425186>

Approvals

To download certificates, visit the product detail page: <https://www.phoenixcontact.com/gb/products/1425186>



UL Listed

Approval ID: FILE E 335024



cUL Listed

Approval ID: FILE E 335024

SI-RND-R1A - Data interface



1425186

<https://www.phoenixcontact.com/gb/products/1425186>

Classifications

ECLASS

ECLASS-13.0	27440209
ECLASS-15.0	27440209

ETIM

ETIM 9.0	EC002641
----------	----------

UNSPSC

UNSPSC 21.0	39121300
-------------	----------

1425186

<https://www.phoenixcontact.com/gb/products/1425186>

Environmental product compliance

EU RoHS

Fulfills EU RoHS substance requirements	Yes
Exemption	6(c)

China RoHS

Environment friendly use period (EFUP)	EFUP-50
	An article-related China RoHS declaration table can be found in the download area for the respective article under "Manufacturer declaration". For all articles with EFUP-E, no China RoHS declaration table issued and required.

EU REACH SVHC

REACH candidate substance (CAS No.)	Lead(CAS: 7439-92-1)
SCIP	599206db-4889-47e3-bfb1-2dd86b2d86b0

Phoenix Contact 2025 © - all rights reserved

<https://www.phoenixcontact.com>

PHOENIX CONTACT Ltd
Halesfield 13, Telford
Shropshire, TF7 4PG
01952 681700
info@phoenixcontact.co.uk