

# ME MAX 22,5 3-U1 KMGY - Electronics housing



2201538

<https://www.phoenixcontact.com/gb/products/2201538>

Please be informed that the data shown in this PDF document is generated from our online catalog. Please find the complete data in the user documentation. Our general terms of use for downloads are valid.



DIN rail housing, Complete housing with metal foot catch, tall design, with vents, width: 22.6 mm, height: 99 mm, depth: 113.65 mm, color: light gray (similar RAL 7035), cross connection: DIN rail bus connector (optional), number of positions cross connector: 5

## Your advantages

- Easy installation
- Available in overall widths from 6.2 mm ... 90 mm, modular extension possible
- Variety of connection technology
- Can be mounted on the DIN rail
- With DIN-rail-mountable bus connector and power connector system as an option
- Transparent front cover can be swiveled

## Commercial data

Item number	2201538
Packing unit	10 pc
Minimum order quantity	10 pc
Sales key	ACHABA
Product key	ACHABA
GTIN	4046356840941
Weight per piece (including packing)	66.5 g
Weight per piece (excluding packing)	66.5 g
Customs tariff number	85389099
Country of origin	DE

2201538

<https://www.phoenixcontact.com/gb/products/2201538>

## Technical data

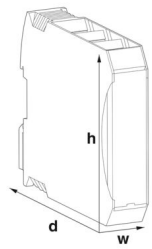
### Notes

Assembly note	Please observe the application note in the download area.
Recommendation	Material of contact pads for bus connector, galvanic gold (hard gold)

### Product properties

Product type	Complete housing
Housing type	DIN rail housing
Housing series	ME-MAX
Product family	ME MAX 22,5..
Number of positions	12 20
Max. number of positions	20 (pitch: 3.5 mm) 16 (pitch: 5 mm) 12 (pitch: 7.25 mm/7.5 mm)
Number of rows	1 3
Number (Connection openings)	4
Ventilation openings present	yes

### Dimensions

Dimensional drawing	
Width	22.6 mm
Height	99 mm
Depth	113.65 mm
Depth from top edge of DIN rail	107 mm

### PCB design

PCB thickness	1.4 mm ... 1.8 mm
---------------	-------------------

### Material specifications

Color (Housing)	light gray (RAL 7035)
Material Housing	PA
Flammability rating according to UL 94	V0
CTI according to IEC 60112	600

2201538

<https://www.phoenixcontact.com/gb/products/2201538>

Surface characteristics	untreated
-------------------------	-----------

### Environmental and real-life conditions

#### Power dissipation single housing for 20 °C

Ambient temperature	20 °C
Reduction factor	1
Mounting position	vertical
Power dissipation	6.1 W

#### Power dissipation single housing for 30 °C

Ambient temperature	30 °C
Reduction factor	0.91
Mounting position	vertical
Power dissipation	5.55 W

#### Power dissipation single housing for 40 °C

Ambient temperature	40 °C
Reduction factor	0.81
Mounting position	vertical
Power dissipation	4.9 W

#### Power dissipation single housing for 50 °C

Ambient temperature	50 °C
Reduction factor	0.7
Mounting position	vertical
Power dissipation	4.3 W

#### Power dissipation single housing for 60 °C

Ambient temperature	60 °C
Reduction factor	0.57
Mounting position	vertical
Power dissipation	3.5 W

#### Power dissipation single housing for 70 °C

Ambient temperature	70 °C
Reduction factor	0.49
Mounting position	vertical
Power dissipation	3 W

#### Vibration test

Specification	IEC 60068-2-6:2007-12
Frequency	10 - 150 - 10 Hz
Sweep speed	1 octave/min
Amplitude	0.15 mm (10 Hz ... 58.1 Hz)
Acceleration	2g (58.1 Hz ... 150 Hz)
Test duration per axis	2.5 h

2201538

<https://www.phoenixcontact.com/gb/products/2201538>

Test directions	X-, Y- and Z-axis
-----------------	-------------------

#### Mechanical strength / tumbling barrel

Specification	IEC 60998-1:2002-12
Height of fall	50 cm
Frequency	10

#### Shocks

Specification	IEC 60068-2-27:2008-02
Pulse shape	Half-sine
Acceleration	15g
Shock duration	11 ms
Number of shocks per direction	3
Test directions	X-, Y- and Z-axis (pos. and neg.)

#### Degree of protection (IP code)

Specification	IEC 60529:1989-11 + AMD 1:1999-11 + AMD 2:2013-08
---------------	---

#### Ambient conditions

Max. IP code to attain	IP20
Ambient temperature (operation)	-40 °C ... 105 °C (depending on power dissipation)
Ambient temperature (storage/transport)	-40 °C ... 55 °C
Ambient temperature (assembly)	-5 °C ... 100 °C
Relative humidity (storage/transport)	80 %

#### PCB data

Number of PCB holders	1
Type of PCB mount	Latching
Thickness of the PCB	1.4 mm ... 1.8 mm

#### Mounting

Mounting type	DIN rail mounting
---------------	-------------------

#### Packaging specifications

Type of packaging	packed in cardboard
Outer packaging type	Carton

## Drawings

Dimensional drawing



Schematic figure for illustrating the item dimensions. The figure is not of the desired product. For further details, refer to the product drawings in the "Downloads" tab.

# ME MAX 22,5 3-U1 KMGY - Electronics housing



2201538

<https://www.phoenixcontact.com/gb/products/2201538>

## Approvals

To download certificates, visit the product detail page: <https://www.phoenixcontact.com/gb/products/2201538>



**UL Recognized**

Approval ID: E240868

2201538

<https://www.phoenixcontact.com/gb/products/2201538>

## Classifications

### ECLASS

ECLASS-13.0	27190101
ECLASS-15.0	27190101

### ETIM

ETIM 9.0	EC001031
----------	----------

### UNSPSC

UNSPSC 21.0	31261500
-------------	----------

2201538

<https://www.phoenixcontact.com/gb/products/2201538>

## Environmental product compliance

### EU RoHS

Fulfills EU RoHS substance requirements	Yes, No exemptions
---	--------------------

### China RoHS

Environment friendly use period (EFUP)	EFUP-E
	No hazardous substances above the limits

### EU REACH SVHC

REACH candidate substance (CAS No.)	No substance above 0.1 wt%
-------------------------------------	----------------------------

Phoenix Contact 2025 © - all rights reserved  
<https://www.phoenixcontact.com>

PHOENIX CONTACT Ltd  
Halesfield 13, Telford  
Shropshire, TF7 4PG  
01952 681700  
[info@phoenixcontact.co.uk](mailto:info@phoenixcontact.co.uk)