

Pin busbar, 10 mm² connection: 2x (2-phase+AUX/FS) touch-safe

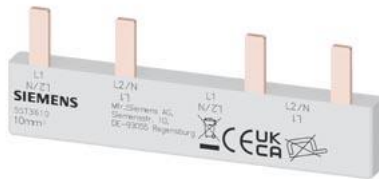


Figure similar

product brand name	SENTRON
product designation	Pin busbar
design of the product	2x (1PH+N+HS)
design of the phase tap	L1/L2 oder L1/N
General technical data	
compatibility	for 2 MCBs (2P/1P+N)
phase number	2
operational current rated value	63 A
suitability for interaction devices with auxiliary switch	Yes
suitability for interaction devices with N conductor	Yes
color	light grey
Product details	
product feature attachable arc fault detection device	No
product feature insulated	Yes
product function	
• suitable for compact devices	No
• can be cut	No
number of devices suitable for fitting	2
type of electrical connection	Pin
Mechanical Design	
module width	18 mm
height	19 mm
width	7 mm
length	76 mm
number of modular width units	4
cross-section	10 mm ²
angle of the pin of busbar	0°
Net Weight	20 g
Approvals Certificates	
General Product Approval	other



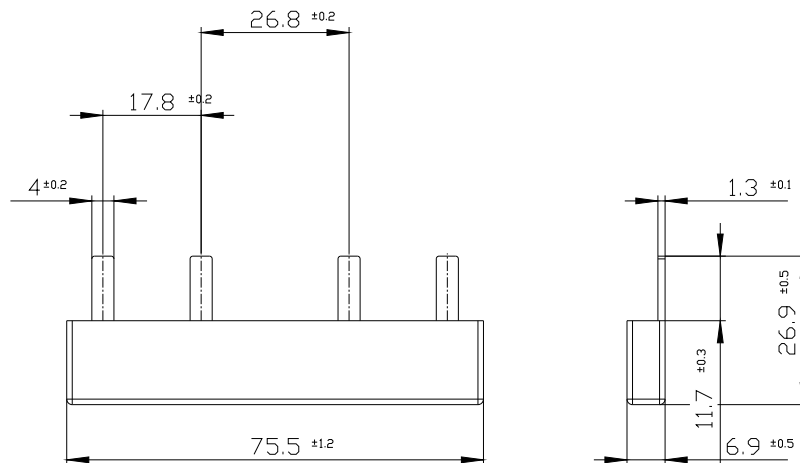
[Confirmation](#)

[Miscellaneous](#)



other

Environment

Further information**Information on the packaging**<https://support.industry.siemens.com/cs/ww/en/view/109813875>**Information for data generation and storage**<https://support.industry.siemens.com/cs/ww/en/view/109995012>**Information- and Downloadcenter (Catalogs, Brochures,...)**<https://www.siemens.com/lowvoltage/catalogs>**Industry Mall (Online ordering system)**<https://mall.industry.siemens.com/mall/en/en/Catalog/product?mlfb=5ST3610>**Service&Support (Manuals, Certificates, Characteristics, FAQs,...)**<https://support.industry.siemens.com/cs/ww/en/ps/5ST3610>**Image database (product images, 2D dimension drawings, 3D models, device circuit diagrams, ...)**https://www.automation.siemens.com/bilddb/cax_en.aspx?mlfb=5ST3610**CAX-Online-Generator**<https://www.siemens.com/cax>**Tender specifications**<https://www.siemens.com/specifications>

last modified:

8/8/2025

