

# Product datasheet

Specifications



## I/O distributed module, Modicon TM3, IP20 Optimized Bus Coupler Ethernet Interface

TM3BCEIP

EAN Code: 3606489703530

### Main

Range of product	Modicon TM3
Product or component type	I/O distributed module
Product compatibility	Logic controller Motion controller

### Complementary

Communication port protocol	Ethernet IP/Modbus TCP
Exchange mode	Half duplex, full duplex, autonegotiation
Transmission rate	10/100 Mbit/s
Topology	Daisy chain
Communication service	Ethernet/IP adapter Modbus TCP/IP server RSTP (Ring topology support) SNMP Web server DHCP client BOOTP Address conflict detection FTP server
Height	96.5 mm
Width	27 mm
Depth	70 mm
Net weight	0.10 kg

### Environment

Pollution degree	2
------------------	---

### Packing Units

Unit Type of Package 1	PCE
Number of Units in Package 1	1
Package 1 Height	7.400 cm
Package 1 Width	10.400 cm
Package 1 Length	12.500 cm
Package 1 Weight	178.000 g
Unit Type of Package 2	S03
Number of Units in Package 2	18

---

Package 2 Height	30.000 cm
Package 2 Width	30.000 cm
Package 2 Length	40.000 cm
Package 2 Weight	3.840 kg

---

## Logistical informations

---

Country of origin ID

## Contractual warranty

---

Warranty (in months) 18



## Environmental Data

Schneider Electric aims to achieve Net Zero status by 2050 through supply chain partnerships, lower impact materials, and circularity via our ongoing “Use Better, Use Longer, Use Again” campaign to extend product lifetimes and recyclability.

[Environmental Data explained >](#)

[How we assess product sustainability >](#)

### Environmental footprint

Total lifecycle Carbon footprint 158

Environmental Disclosure [Product Environmental Profile](#)

## Use Better

### Materials and Substances

Packaging made with recycled cardboard Yes

Packaging without single use plastic Yes

[EU RoHS Directive](#) Pro-active compliance (Product out of EU RoHS legal scope)

SCIP Number 3b9533ee-f829-495f-9b87-8bb0822090f1

REACH Regulation [REACH Declaration](#)

PVC free Yes

## Use Again

### Repack and remanufacture

End of life manual availability [End of Life Information](#)

Take-back No

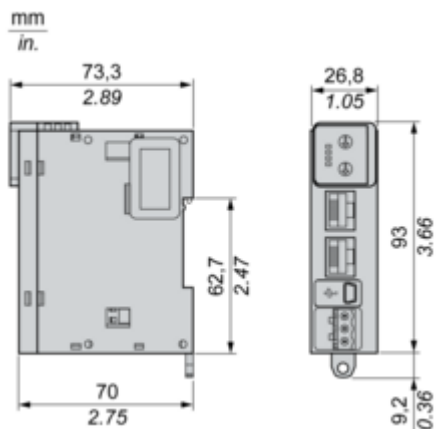
WEEE Label  The product must be disposed on European Union markets following specific waste collection and never end up in rubbish bins

## Dimensions Drawings

### Dimensions

---

#### Side and Front Views



Mounting and Clearance

Spacing Requirements

---

