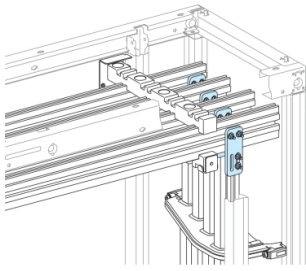


# Product datasheet

Specifications



## LINERGY LGYE VERTICAL CONNECTION 1600A

LVS04602

EAN Code: 3606481867957

### Main

Range	Linergy
Range of product	Linergy
Product or component type	Connection
Product name	Linergy LGYE
product name	PrismaSeT PrismaSeT P enclosure Linergy Linergy LGYE busbar
Provided equipment	Fixing frame Fixing elements
Standards	IEC 61439-2, inside enclosure IEC 61439-1, inside enclosure
Product certifications	ASTA

### Complementary

Cubicle-device connection	Linergy busbar
Installed device	Connection: busbar vertical installation
[Ie] rated operational current	1600 A
Height	140 mm
Width	50 mm
Depth	4 mm
Net weight	0.7 kg
Quantity per set	Set of 1

### Packing Units

Unit Type of Package 1	PCE
Number of Units in Package 1	1
Package 1 Height	3.500 cm
Package 1 Width	5.500 cm
Package 1 Length	14.500 cm
Package 1 Weight	695.400 g
Unit Type of Package 2	S02
Number of Units in Package 2	10
Package 2 Height	15.000 cm
Package 2 Width	30.000 cm

Package 2 Length	40.000 cm
Package 2 Weight	7.287 kg
Unit Type of Package 3	P12
Number of Units in Package 3	120
Package 3 Height	43.000 cm
Package 3 Width	80.000 cm
Package 3 Length	120.000 cm
Package 3 Weight	97.448 kg

## Logistical informations

Country of origin	FR
-------------------	----

## Contractual warranty

Warranty (in months)	18
----------------------	----



## Environmental Data

Schneider Electric aims to achieve Net Zero status by 2050 through supply chain partnerships, lower impact materials, and circularity via our ongoing “Use Better, Use Longer, Use Again” campaign to extend product lifetimes and recyclability.

[Environmental Data explained >](#)

[How we assess product sustainability >](#)

### Environmental footprint

Total lifecycle Carbon footprint **38**

Environmental Disclosure [Product Environmental Profile](#)

## Use Better

### Materials and Substances

Packaging made with recycled cardboard **Yes**

Packaging without single use plastic **No**

[EU RoHS Directive](#) **Compliant**

REACH Regulation [REACH Declaration](#)

Halogen-free status **Halogen free plastic parts product**

PVC free **Yes**

Silicone-free **Yes**

## Use Again

### Repack and remanufacture

End of life manual availability **No need of specific recycling operations**

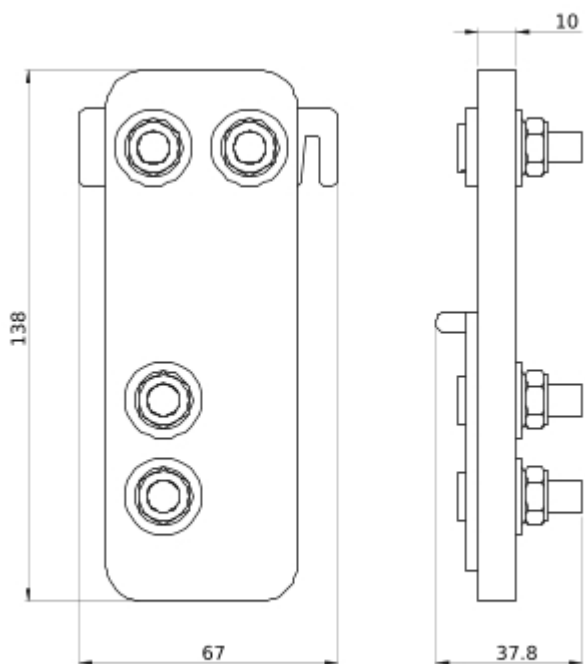
Take-back **No**

WEEE Label  **The product must be disposed on European Union markets following specific waste collection and never end up in rubbish bins**

Technical Illustration

Dimensions

---



- All dimensions are approximate and are in mm  
- Also see technical documentation.