



Replacement part for 3KF size 2 Fuse cover

Model	
product brand name	SETRON
product designation	Accessories for switch disconnectors
design of the product	Fuse cover
suitability for use	For 3KF size 2
color of the actuating element	transparent
accessories	Fuse cover

Mechanical Design	
Net Weight	106 g

Certificates	
reference code according to IEC 81346-2	Q

Approvals Certificates	
General Product Approval	



[Confirmation](#)



EG-Konf.



VDE

[Miscellaneous](#)



Test Certificates	Maritime application	other	Environment		
-------------------	----------------------	-------	-------------	--	--

[Type Test Certificates/Test Report](#)



[Miscellaneous](#)

[Confirmation](#)

[Environmental Confirmations](#)

Environment

[Environmental Confirmations](#)

Further information

Information on the packaging
<https://support.industry.siemens.com/cs/ww/en/view/109813875>
 Information for data generation and storage
<https://support.industry.siemens.com/cs/ww/en/view/109995012>
 Information- and Downloadcenter (Catalogs, Brochures,...)
<https://www.siemens.com/lowvoltage/catalogs>

Industry Mall (Online ordering system)

<https://mall.industry.siemens.com/mall/en/en/Catalog/product?mlfb=3KF9212-0CA00>

Service&Support (Manuals, Certificates, Characteristics, FAQs,...)

<https://support.industry.siemens.com/cs/ww/en/ps/3KF9212-0CA00>

Image database (product images, 2D dimension drawings, 3D models, device circuit diagrams, ...)

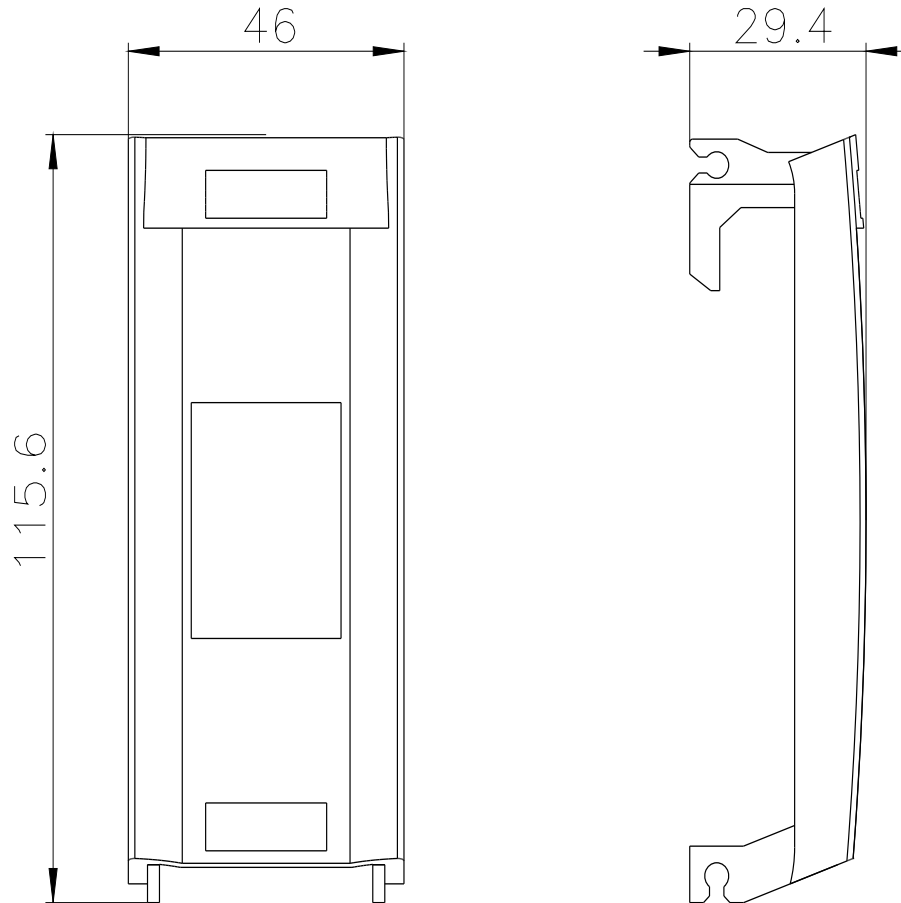
https://www.automation.siemens.com/bilddb/cax_en.aspx?mlfb=3KF9212-0CA00

CAX-Online-Generator

<https://www.siemens.com/cax>

Tender specifications

<https://www.siemens.com/specifications>



last modified:

4/3/2025 

